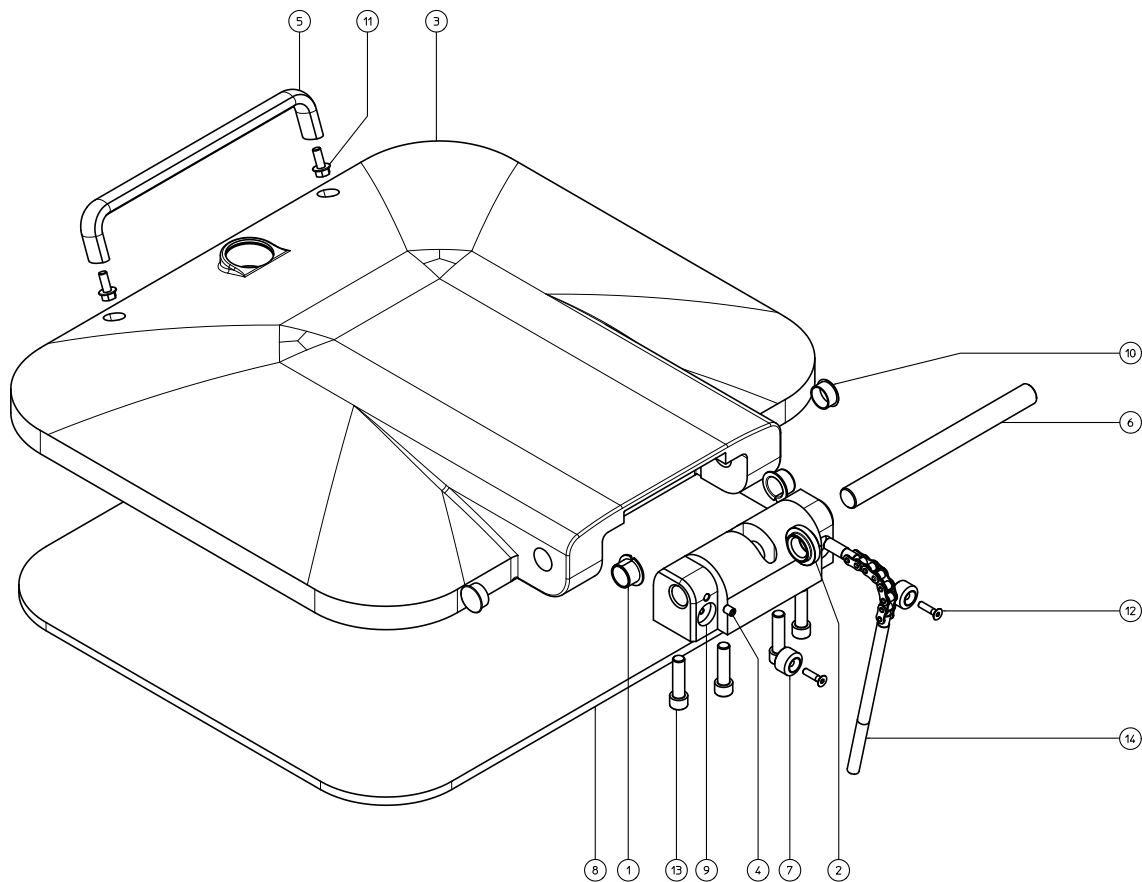
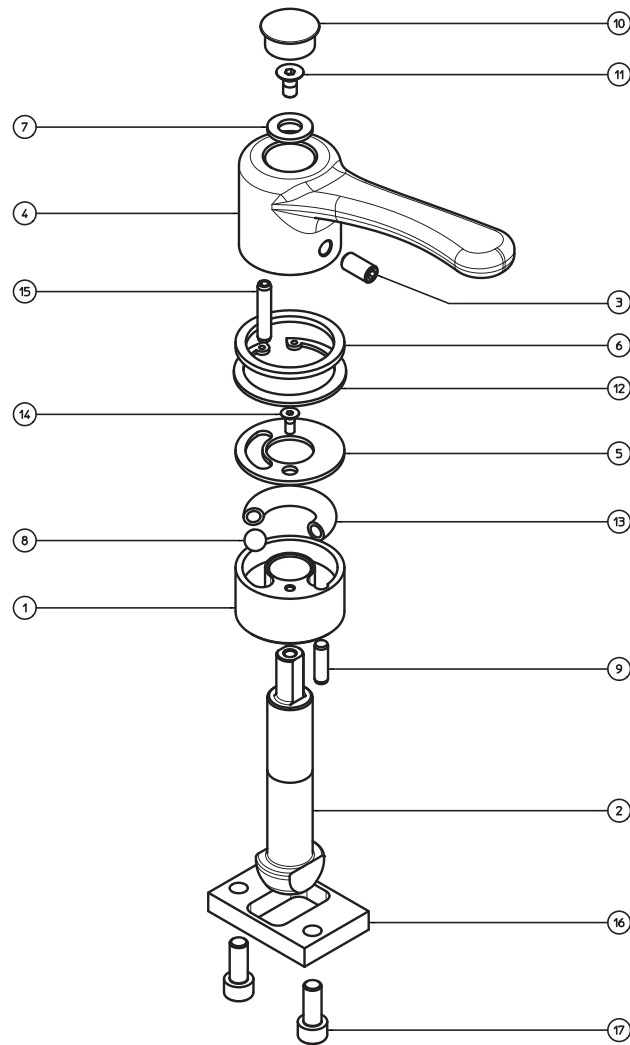


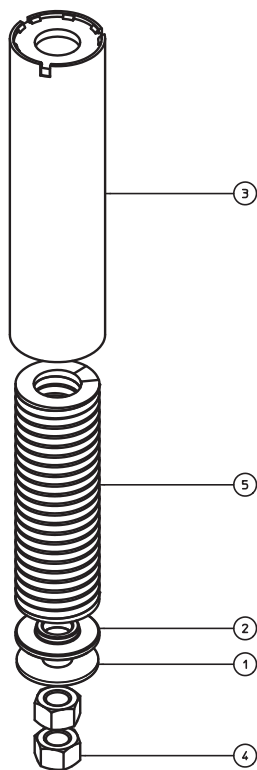
**COVER GROUP COD. CP000005**



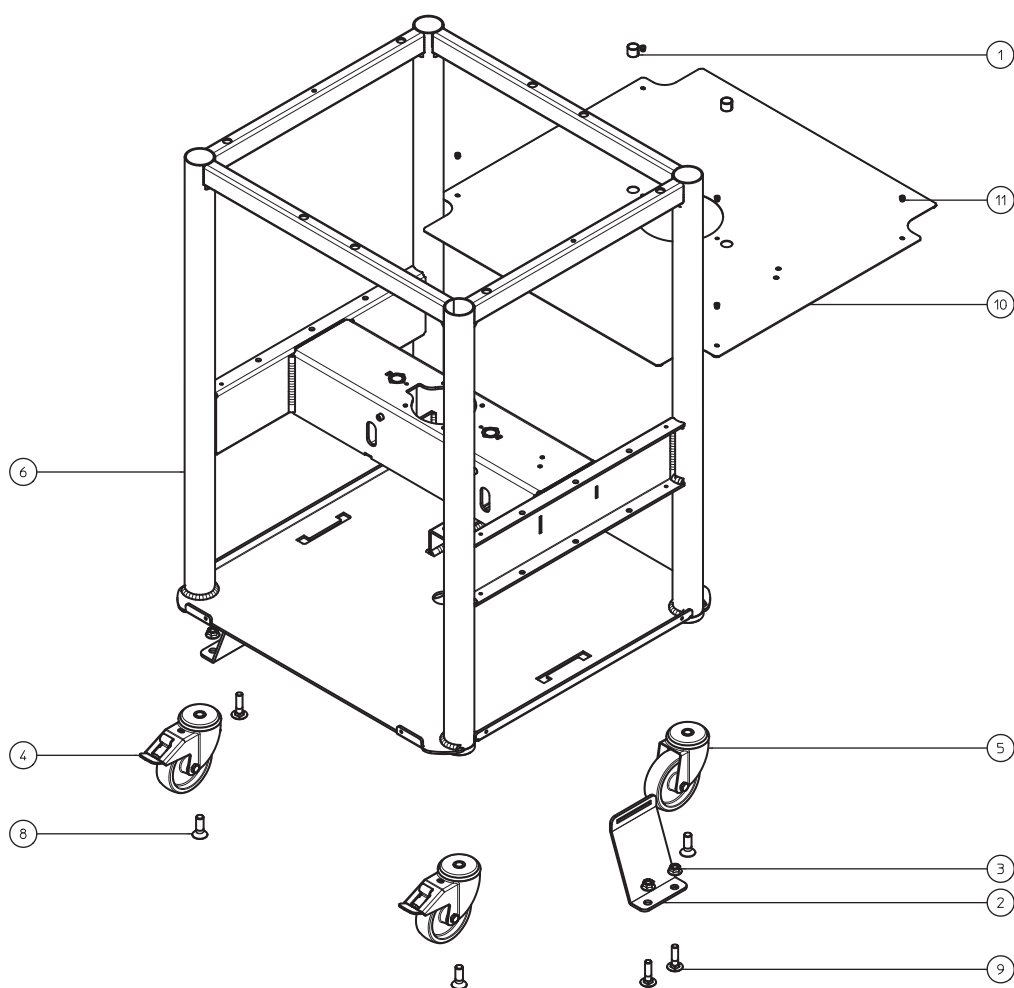
POSITION	QUANTITY	CODE	DESCRIPTION
1	2	18072216	LATCH INSERT KF 22 15
2	1	33800031	CHAIN GUIDE
3	1	35050004	COVER
4	1	37010810	SCREW M8X10
5	1	43712630	HANDLE COVER
6	1	49410030	COVER PIN
7	2	50850029	STOPPER
8	1	50850039	COVER PLATE
9	1	61900041	LID SUPPORT
10	2	64920008	PLUG
11	2	69210820	SCREW M8X20 ZINC.
12	2	69270625	SCREW M6X25 INOX
13	4	69161245	SCREW M12X45 ZINC.
14	1	18100005	BALANCE CHAIN



POSITION	QUANTITY	CODE	DESCRIPTION
1	1	17910008	LATCH LID COVER
2	1	35440011	LID COVER
3	1	37040815	SCREW M08X16
4	1	43700006	LID HANDLE
5	1	58910008	WASHER LID COVER
6	1	58920004	WASHER HANDLE COVER
7	1	59151020	WASHER D. 10 ZINC.
8	1	61610002	BALL D. 9,52
9	1	63030620	RECTIFIED PLUG D.6X20
10	1	64920002	PLUG
11	1	69240612	SCREW M6X12 ZINC.
12	1	14120047	SEEGER RING D.47
13	1	44820027	COMPRESSION SPRING C027
14	1	69270410	SCREW M4X10 INOX
15	1	63080630	PLUG D.6X30
16	1	49660018	HOOK CONNECTION
17	2	69160820	SCREW M8X20 ZINC.

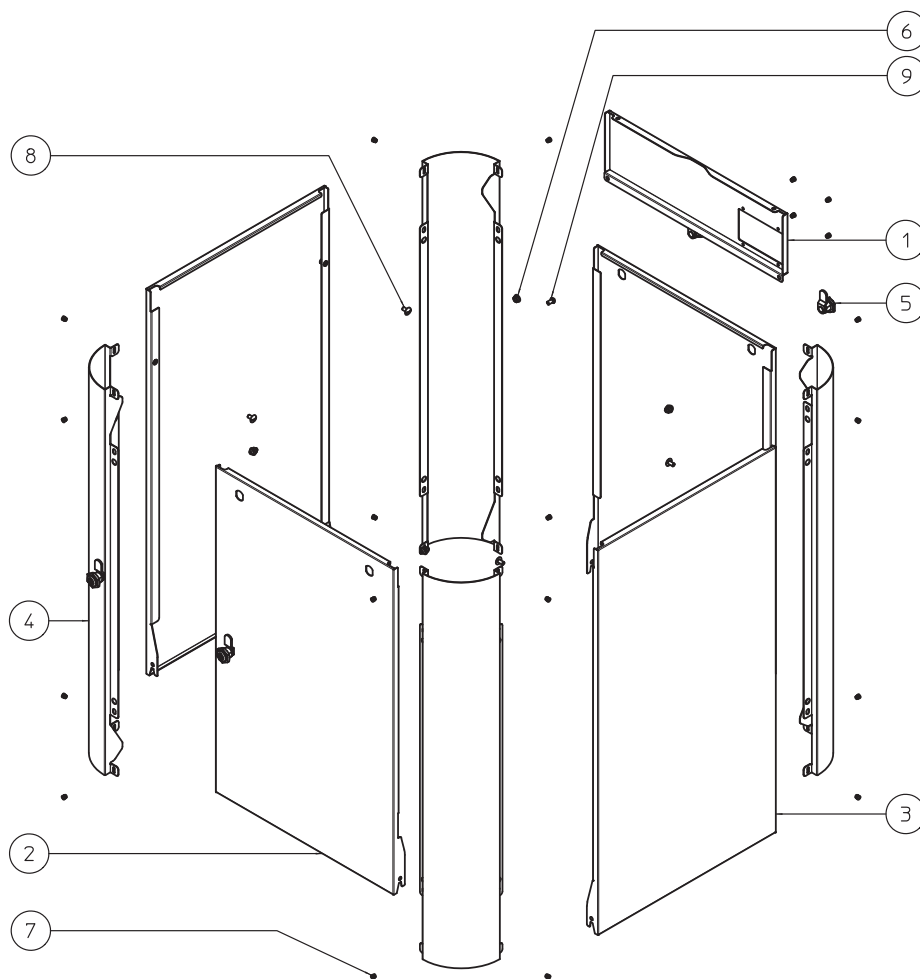


POSITION	QUANTITY	CODE	DESCRIPTION
1	1	59091236	WASHER D12X36 SP. 2 ZINC.
2	1	58920002	LOWER BALANCING WASHER
3	1	66880053	PIPE
4	2	30131201	NUT M12 ZINC.
5	1	44873818	BLU SPRING D38X180

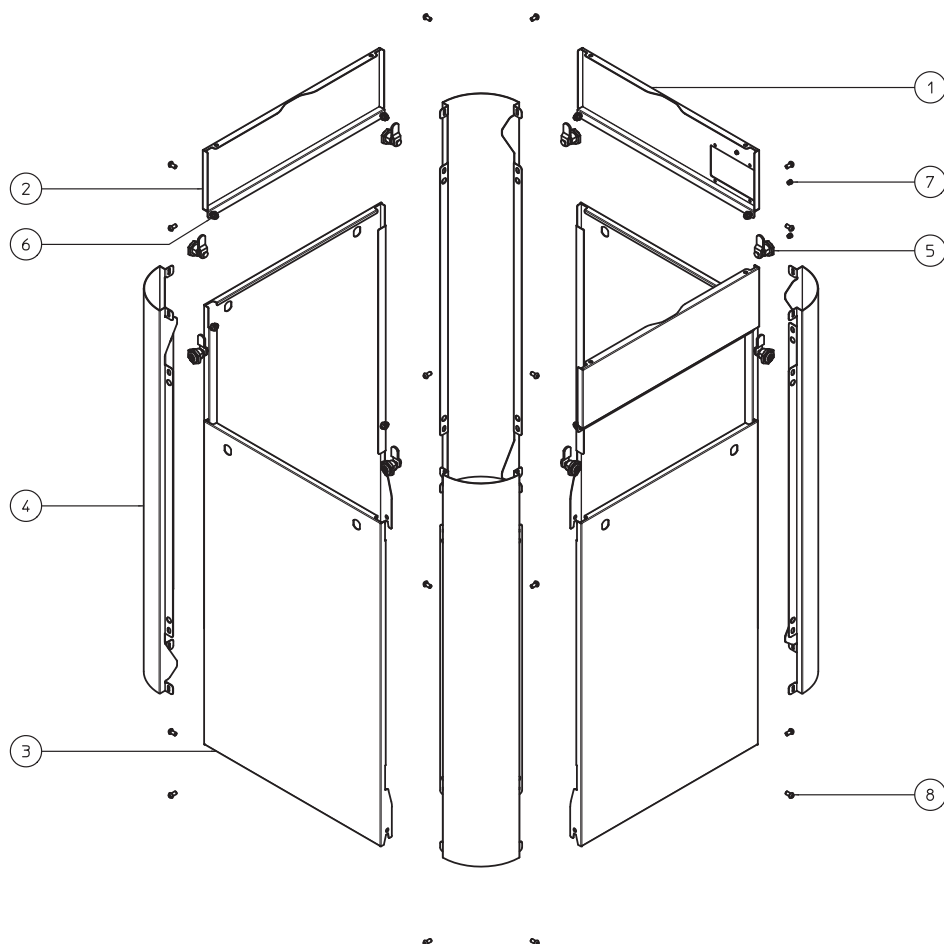


POSITION	QUANTITY	CODE	DESCRIPTION
1	2	18061615	LATCH INSERT KU 1615
2	2	20120281	MOUNTING BRACKET
3	4	30211001	NUT M10 ZINC.
4	2	59860003	CASTER WITH BRAKE
5	2	59860004	CASTER WITHOUT BRAKE
6	1	60010040	FRAME
7	2	69160612	SCREW M6X12 ZINC.
8	4	69241235	SCREW M12X35 ZINC.
9	4	69251040	SCREW M10X40 ZINC.
10	1	20120302	DEBRIS CATCH PLATE
11	6	58250410	ALUMINUM RIVET

**STANDARD CASING COD. CR000003**

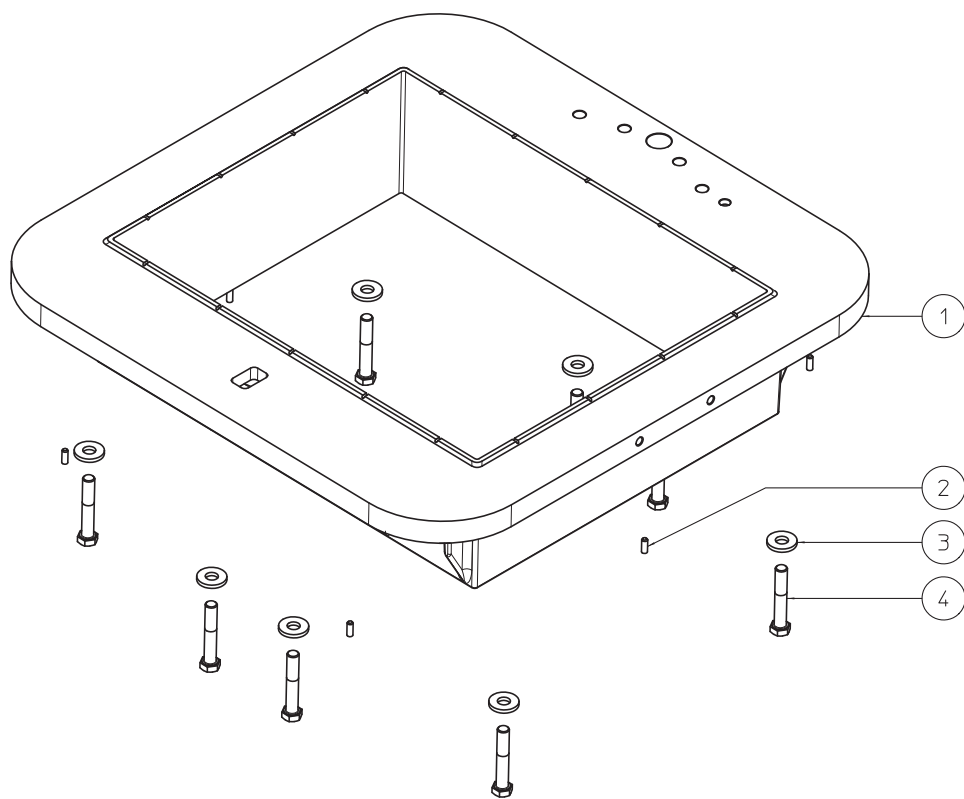


POSITION	QUANTITY	CODE	DESCRIPTION
1	1	20120299	POWER SUPPLY PANNEL
2	2	20120296	REMOVABLE PANNEL
3	2	20120305	LATERAL PANNEL
4	4	20120297	ANGULAR PANNEL
5	4	22803621	LOCK
6	4	30190601	NUT M6 ZINC.
7	20	58250410	ALUMINUM RIVET
8	4	69100612	SCREW M6X12 ZINC.

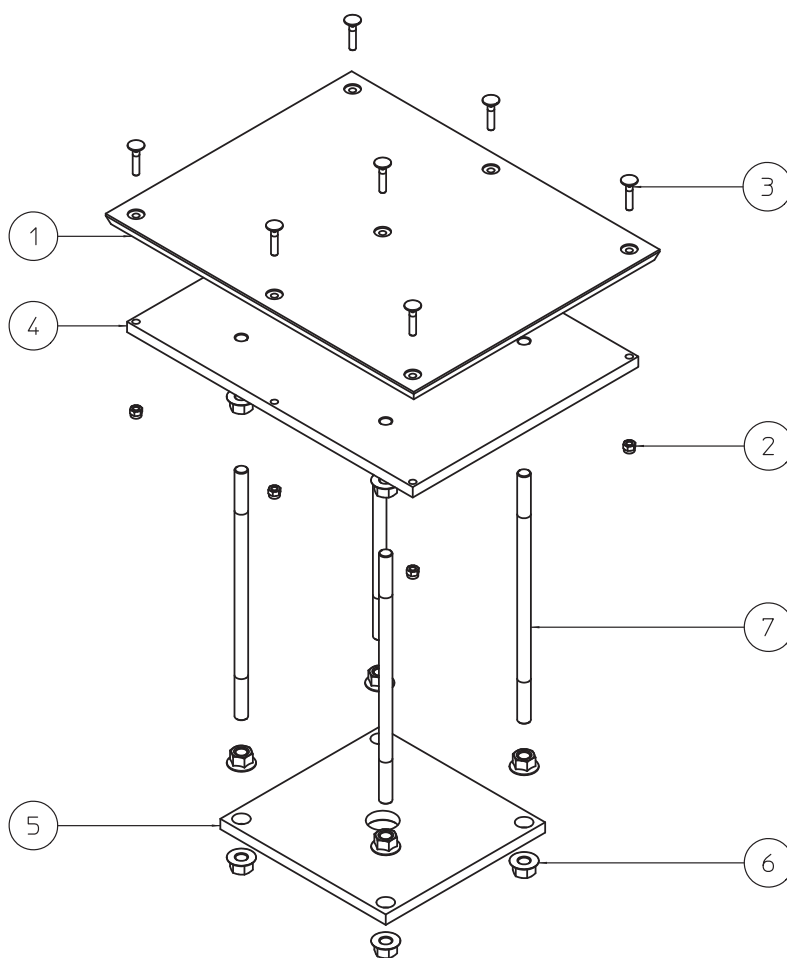


POSITION	QUANTITY	CODE	DESCRIPTION
1	1	20120299	POWER SUPPLY PANNEL
2	2	20120300	FIX LATERAL PANNEL
3	4	20120296	REMOVABLE PANNEL
4	4	20120297	ANGULAR PANNEL
5	8	22803621	LOCK
6	8	30190601	NUT M6 ZINC.
7	20	58250410	ALUMINUM RIVET
8	8	69180612	SCREW TCBEI M6X12 ZINC.

**RECTANGULAR BASIN GROUP COD. VS000007**



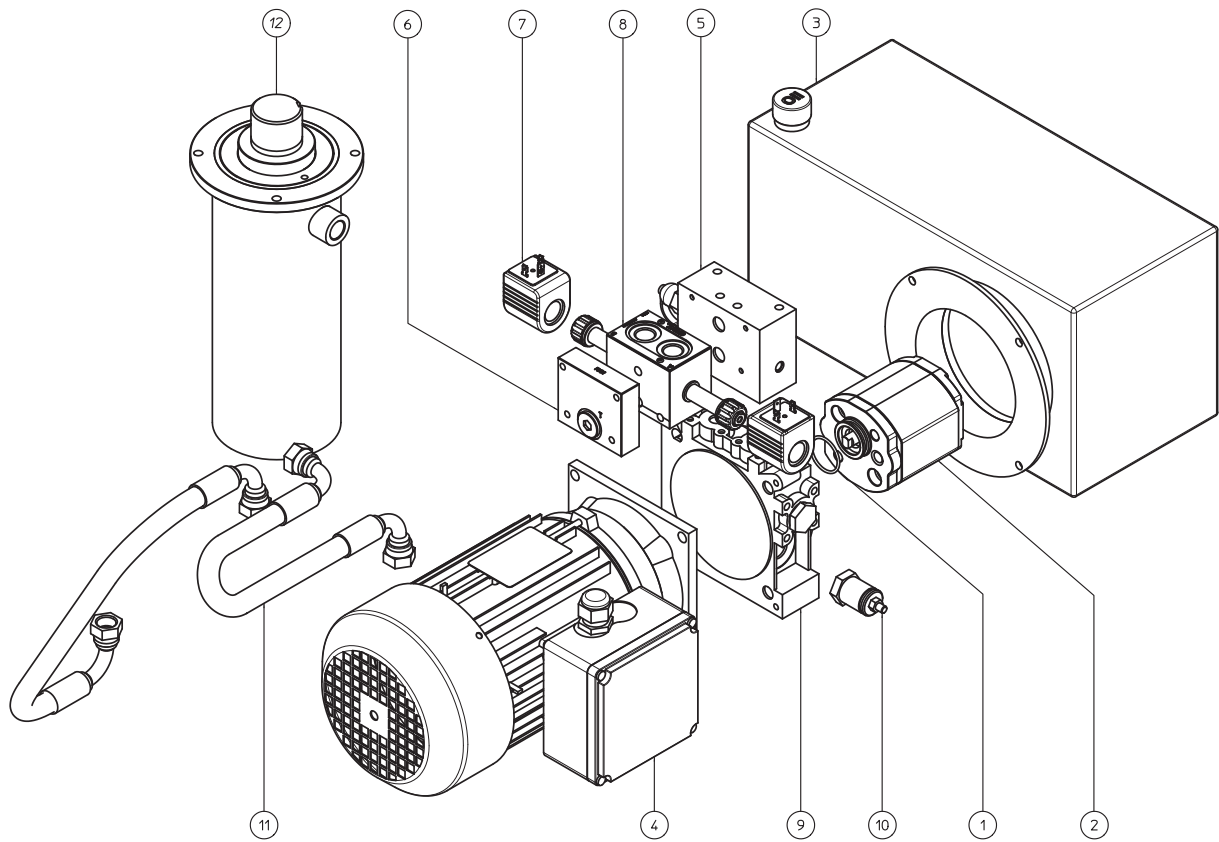
POSITION	QUANTITY	CODE	DESCRIPTION
1	1	35150008	RECTANGULAR BASIN
2	6	37040616	SCREW M06X16
3	8	59091230	WASHER D.12X30 SP. 4 ZINC.
4	8	69201270	SCREW M12X70 ZINC.



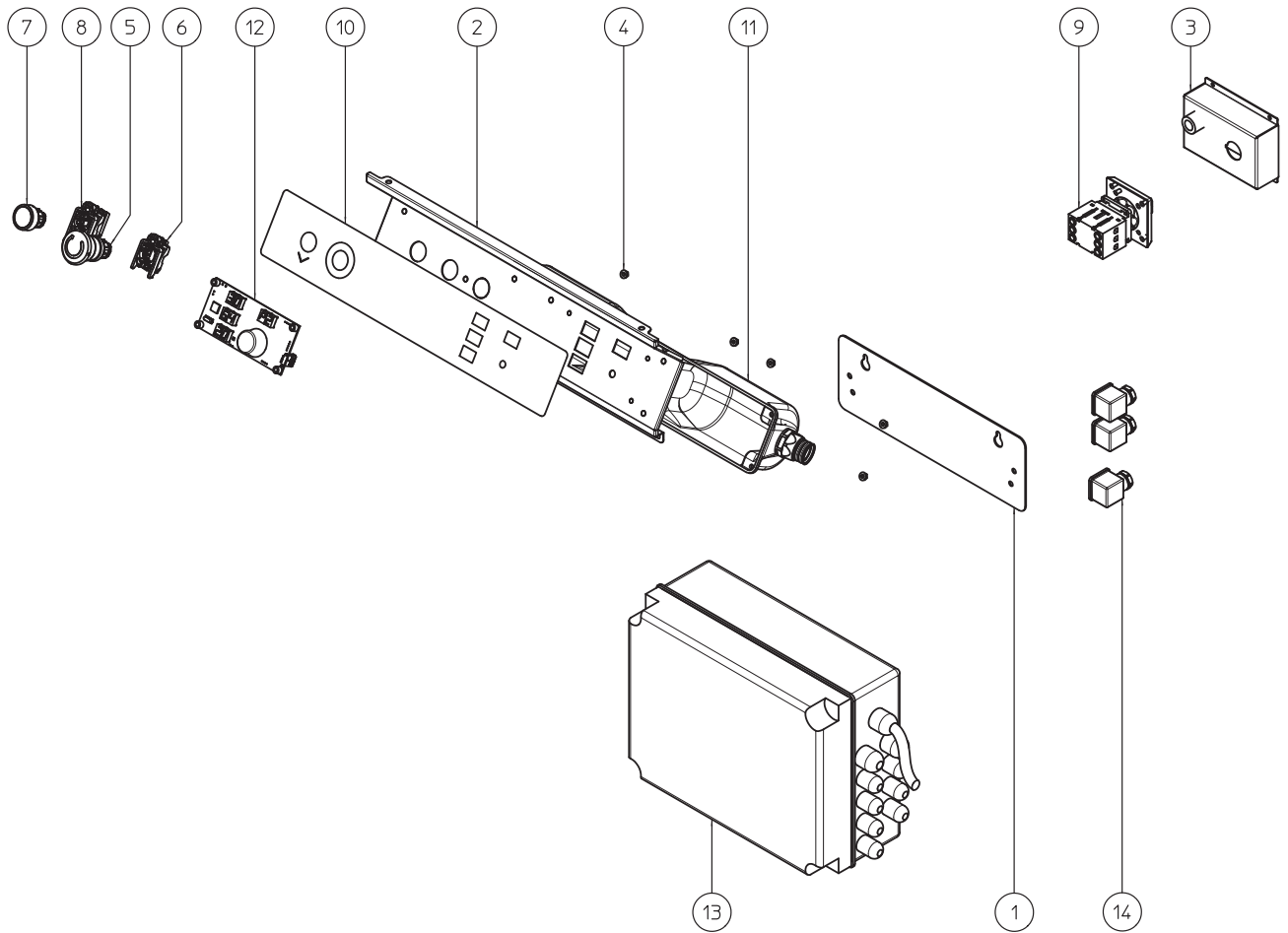
POSITION	QUANTITY	CODE	DESCRIPTION
1	1	50850032	PRESS PLATES 512X409 mm
2	7	30080801	SELFLOCKING NUT M8 ZINC.
3	7	69010001	FIXING SCREW
4	1	49420023	SUPPORT FOR PRESS PLATE
5	1	49420024	PRESS SUPPORT GUIDE ROD PLATE
6	12	30191601	NUT M16 ZINC.
7	4	65810014	PRESS SUPPORT PLATE GUIDE RODS



## HYDRAULIC SYSTEM GROUP

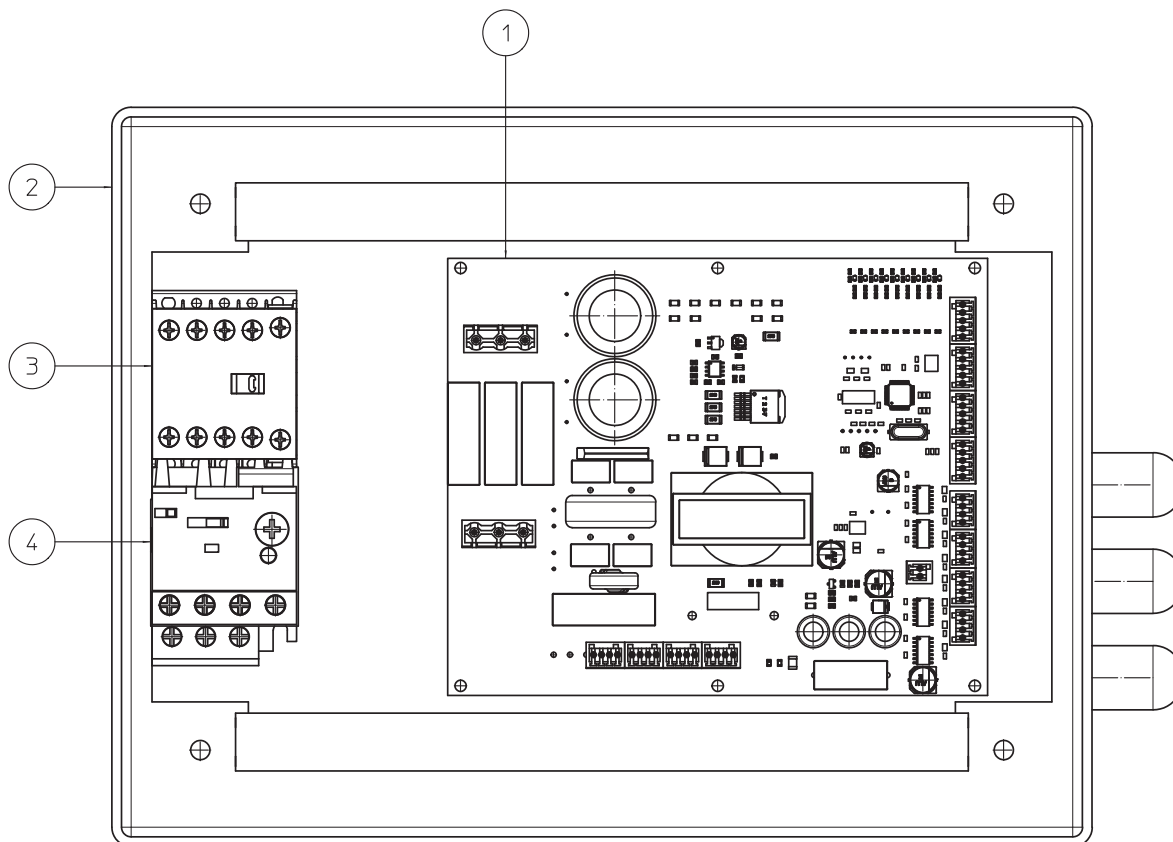


POSITION	QUANTITY	CODE	DESCRIPTION
1	1	38693106	OR SEAL 3106
2	1	50970002	PUMP MOD. K1P D 15 G P199
2	1	50970003	PUMP MOD. "T" PHC 1-6,0 X MC (MOTOR MONOPHASE)
3	1	60060004	OIL TANK
4	1	45200002	MOTOR THREE PHASES 230-400/3/50-60 STANDARD
4	1	45220002	MOTOR THREE PHASES UL 230/3/60
4	1	45120002	MOTOR MONOPHASE UL 230/1/60
4	1	45150002	MOTOR MONOPHASE UL 110/1/60
5	1	28320002	INTERFACE BLOCK
6	1	28320004	BLOCK FU31
7	2	17500001	COIL A0924DDC STANDARD
7	1	17500004	COIL A0924VDC-27W M UL
8	1	31770002	PARALLEL COMPONIBLE DISTRIBUTOR
9	1	28320006	HYDRAULIC BODY
10	1	30900001	VALVLE
11	2	66950003	PIPE R1T 3/8" F90+F90
12	1	23700004	HYDRAULIC CYLINDER

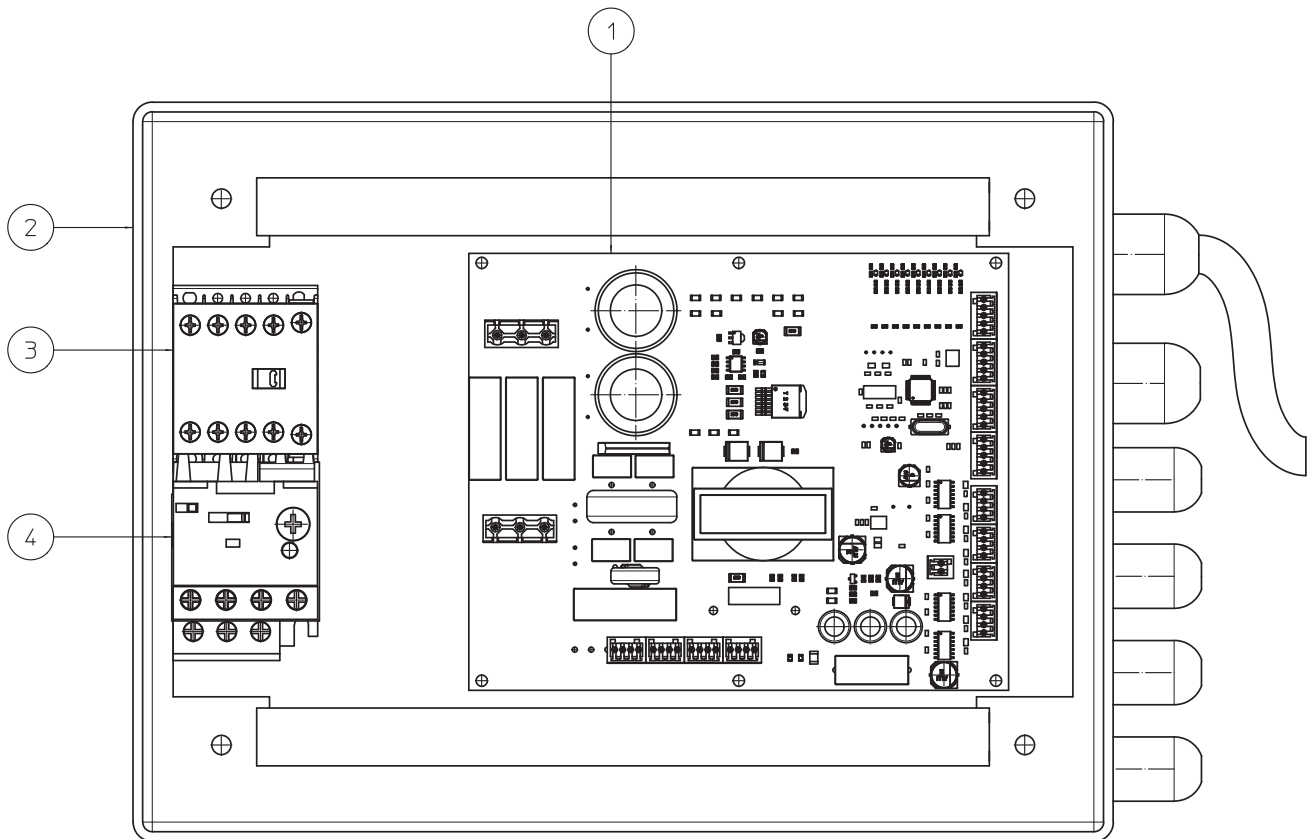


POSITION	QUANTITY	CODE	DESCRIPTION
1	1	20100417	FIXING PLATE
2	1	20120304	CONTROL PANEL PLATE
3	1	20120324	POWER SUPPLY COVER
4	6	30190401	NUT M4 ZINC.
5	1	53800001	EMERGENCY STOP BUTTON
6	1	53800014	EMERGENCY STOP BUTTON SUPPORT
7	1	53800017	GREEN LIGHT
8	1	53800018	LID LIGHT SUPPORT
9	1	53800033	MAIN SWITCH
10	1	60850007	SERIGRAPHY
11	1	65610001	CONTROL PANEL REAR COVER
12	1	49200023	PLC BOARD PANEL
13	1	53800051	PLASTIC ELECTRICAL BOX (STANDARD)
13	1	53800045	PAINTED STEEL ELECTRICAL BOX (UL)
14	2	25300002	ELECTRICAL CONNECTOR CNT 182 PG09 H12

**ELECTRICAL BOX UL/CSA**



POSITION	QUANTITY	CODE	DESCRIPTION
1	1	49200025	PC BOARD
2	1	53800045	PAINTED STEEL ELECTRICAL BOX (UL)
3	1	65050001	CONTACTOR
4	1	66000017	THERMAL OVERLOAD 10/14 A - 110 V 1 PH
4	1	66000018	THERMAL OVERLOAD 5,5/8 A - 230 V 1 PH
4	1	66000005	THERMAL OVERLOAD 3,7/5,5 A - 230 V 3 PH



POSITION	QUANTITY	CODE	DESCRIPTION
1	1	49200025	PC BOARD
2	1	53800051	PLASTIC ELECTRICAL BOX (STANDARD)
3	1	65050001	CONTACTOR
4	1	66000004	THERMAL OVERLOAD 1,8/2,6 A - 400 V 3 PH
4	1	66000005	THERMAL OVERLOAD 3,7/5,5 A - 230 V 3 PH