

# Air-Conditioners

## Кондиционеры

### PCA-RP·KAQ



#### INSTALLATION MANUAL

**FOR INSTALLER**

For safe and correct use, read this manual and the outdoor unit installation manual thoroughly before installing the air-conditioner unit.

#### INSTALLATIONSHANDBUCH

**FÜR INSTALLATEURE**

Aus Sicherheitsgründen und zur richtigen Anwendung vor Installation der Klimaanlage die vorliegende Bedienungsanleitung und das Installationshandbuch gründlich durchlesen.

#### MANUEL D'INSTALLATION

**POUR L'INSTALLATEUR**

Avant d'installer le climatiseur, lire attentivement ce manuel, ainsi que le manuel d'installation de l'appareil extérieur pour une utilisation sûre et correcte.

#### INSTALLATIEHANDLEIDING

**VOOR DE INSTALLATEUR**

Lees deze handleiding en de installatiehandleiding van het buitenapparaat zorgvuldig door voordat u met het installeren van de airconditioner begint.

#### MANUAL DE INSTALACIÓN

**PARA EL INSTALADOR**

Para un uso seguro y correcto, lea detalladamente este manual de instalación antes de montar la unidad de aire acondicionado.

#### MANUALE DI INSTALLAZIONE

**PER L'INSTALLATORE**

Per un uso sicuro e corretto, prima di installare il condizionatore d'aria leggere attentamente il presente manuale ed il manuale d'installazione dell'unità esterna.

#### ΕΓΧΕΙΡΙΔΙΟ ΟΔΗΓΙΩΝ ΕΓΚΑΤΑΣΤΑΣΗΣ

**ΓΙΑ ΑΥΤΟΝ ΠΟΥ ΚΑΝΕΙ ΤΗΝ ΕΓΚΑΤΑΣΤΑΣΗ**

Για σωστή και ασφαλή χρήση, διαβάστε προσεκτικά αυτό το εγχειρίδιο, καθώς και το εγχειρίδιο εγκατάστασης της εξωτερικής μονάδας, πριν από την εγκατάσταση της μονάδας κλιματιστικού.

#### MANUAL DE INSTALAÇÃO

**PARA O INSTALADOR**

Para uma utilização segura e correcta, leia atentamente este manual e o manual de instalação da unidade exterior antes de instalar o aparelho de ar condicionado.

#### INSTALLATIONSMANUAL

**TIL INSTALLATØREN**

Læs af sikkerhedshensyn denne manual samt manualen til installation af udendørsenheden grundigt, før du installerer klimaanlægget.

#### INSTALLATIONSMANUAL

**FÖR INSTALLATÖREN**

Läs bruksanvisningen och utomhusenhetens installationshandbok noga innan luftkonditioneringen installeras så att den används på ett säkert och korrekt sätt.

#### MONTAJ ELKİTABI

**MONTÖR İÇİN**

Emniyetli ve doğru kullanım için, klima cihazını monte etmeden önce bu kılavuzu ve dış ünite montaj kılavuzunu tamamiyla okuyun.

#### РУКОВОДСТВО ПО УСТАНОВКЕ

**ДЛЯ УСТАНОВИТЕЛЯ**

Для обеспечения безопасной и надлежащей эксплуатации внимательно прочтите данное руководство и руководство по установке наружного прибора перед установкой кондиционера.

English

Deutsch

Français

Nederlands

Español

Italiano

Ελληνικά

Português

Dansk

Svenska

Türkçe

Русский

# Contents

1. Safety precautions.....	2	5. Drainage piping work.....	6
2. Installation location.....	3	6. Electrical work.....	6
3. Installing the indoor unit.....	3	7. Test run.....	12
4. Installing the refrigerant piping.....	5	8. Easy maintenance function.....	16

## Note:

The phrase "Wired remote controller" in this installation manual refers only to the PAR-31MAA.

If you need any information for the other remote controller, please refer to either the installation manual or initial setting manual which are included in these boxes.

## 1. Safety precautions

- ▶ Before installing the unit, make sure you read all the "Safety precautions".
- ▶ Please report to your supply authority or obtain their consent before connecting this equipment to the power supply system.

### ⚠ Warning:

Describes precautions that must be observed to prevent danger of injury or death to the user.

### ⚠ Caution:

Describes precautions that must be observed to prevent damage to the unit.

### ⚠ Warning:

- Ask a dealer or an authorized technician to install the unit.
- For installation work, follow the instructions in the Installation Manual and use tools and pipe components specifically made for use with refrigerant specified in the outdoor unit installation manual.
- The unit must be installed according to the instructions in order to minimize the risk of damage from earthquakes, typhoons, or strong winds. An incorrectly installed unit may fall down and cause damage or injuries.
- The unit must be securely installed on a structure that can sustain its weight.
- If the air conditioner is installed in a small room, measures must be taken to prevent the refrigerant concentration in the room from exceeding the safety limit in the event of refrigerant leakage. Should the refrigerant leak and cause the concentration limit to be exceeded, hazards due to lack of oxygen in the room may result.
- Ventilate the room if refrigerant leaks during operation. If refrigerant comes into contact with a flame, poisonous gases will be released.
- All electric work must be performed by a qualified technician according to local regulations and the instructions given in this manual.
- Use only specified cables for wiring. The wiring connections must be made securely with no tension applied on the terminal connections. Also, never splice the cables for wiring (unless otherwise indicated in this document). Failure to observe these instructions may result in overheating or a fire.

After installation work has been completed, explain the "Safety Precautions," use, and maintenance of the unit to the customer according to the information in the Operation Manual and perform the test run to ensure normal operation. Both the Installation Manual and Operation Manual must be given to the user for keeping. These manuals must be passed on to subsequent users.

⚡ :Indicates a part which must be grounded.

### ⚠ Warning:

Carefully read the labels affixed to the main unit.

- The appliance shall be installed in accordance with national wiring regulations.
- The terminal block cover panel of the unit must be firmly attached.
- If the supply cord is damaged, it must be replaced by the manufacturer, its service agent or similarly qualified persons in order to avoid a hazard.
- Use only accessories authorized by Mitsubishi Electric and ask a dealer or an authorized technician to install them.
- The user should never attempt to repair the unit or transfer it to another location.
- After installation has been completed, check for refrigerant leaks. If refrigerant leaks into the room and comes into contact with the flame of a heater or portable cooking range, poisonous gases will be released.
- When installing or relocating, or servicing the air conditioner, use only the specified refrigerant (R410A) to charge the refrigerant lines. Do not mix it with any other refrigerant and do not allow air to remain in the lines. If air is mixed with the refrigerant, then it can be the cause of abnormal high pressure in the refrigerant line, and may result in an explosion and other hazards. The use of any refrigerant other than that specified for the system will cause mechanical failure or system malfunction or unit breakdown. In the worst case, this could lead to a serious impediment to securing product safety.

### 1.1. Before installation (Environment)

#### ⚠ Caution:

- Do not use the unit in an unusual environment. If the air conditioner is installed in areas exposed to steam, volatile oil (including machine oil), or sulfuric gas, areas exposed to high salt content such as the seaside, the performance can be significantly reduced and the internal parts can be damaged.
- Do not install the unit where combustible gases may leak, be produced, flow, or accumulate. If combustible gas accumulates around the unit, fire or explosion may result.
- Do not keep food, plants, caged pets, artwork, or precision instruments in the direct airflow of the indoor unit or too close to the unit, as these items can be damaged by temperature changes or dripping water.

- When the room humidity exceeds 80% or when the drainpipe is clogged, water may drip from the indoor unit. Do not install the indoor unit where such dripping can cause damage.
- When installing the unit in a hospital or communications office, be prepared for noise and electronic interference. Inverters, home appliances, high-frequency medical equipment, and radio communications equipment can cause the air conditioner to malfunction or breakdown. The air conditioner may also affect medical equipment, disturbing medical care, and communications equipment, harming the screen display quality.

### 1.2. Before installation or relocation

#### ⚠ Caution:

- Be extremely careful when transporting the units. Two or more persons are needed to handle the unit, as it weighs 20 kg or more. Do not grasp the packaging bands. Wear protective gloves as you can injure your hands on the fins or other parts.
- Be sure to safely dispose of the packaging materials. Packaging materials, such as nails and other metal or wooden parts may cause stabs or other injuries.
- Thermal insulation of the refrigerant pipe is necessary to prevent condensation. If the refrigerant pipe is not properly insulated, condensation will be formed.

- Place thermal insulation on the pipes to prevent condensation. If the drainpipe is installed incorrectly, water leakage and damage to the ceiling, floor, furniture, or other possessions may result.
- Do not clean the air conditioner unit with water. Electric shock may result.
- Tighten all flare nuts to specification using a torque wrench. If tightened too much, the flare nut can break after an extended period.

### 1.3. Before electric work

#### ⚠ Caution:

- Be sure to install circuit breakers. If not installed, electric shock may result.
- For the power lines, use standard cables of sufficient capacity. Otherwise, a short circuit, overheating, or fire may result.
- When installing the power lines, do not apply tension to the cables.
- Be sure to ground the unit. If the unit is not properly grounded, electric shock may result.

- Use circuit breakers (ground fault interrupter, isolating switch (+B fuse), and molded case circuit breaker) with the specified capacity. If the circuit breaker capacity is larger than the specified capacity, breakdown or fire may result.

### 1.4. Before starting the test run

#### ⚠ Caution:

- Turn on the main power switch more than 12 hours before starting operation. Starting operation just after turning on the power switch can severely damage the internal parts.
- Before starting operation, check that all panels, guards and other protective parts are correctly installed. Rotating, hot, or high voltage parts can cause injuries.

- Do not operate the air conditioner without the air filter set in place. If the air filter is not installed, dust may accumulate and breakdown may result.
- Do not touch any switch with wet hands. Electric shock may result.
- Do not touch the refrigerant pipes with bare hands during operation.
- After stopping operation, be sure to wait at least five minutes before turning off the main power switch. Otherwise, water leakage or breakdown may result.

## 2. Installation location

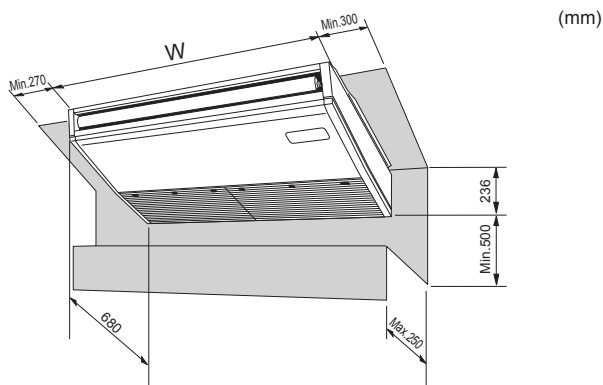


Fig. 2-1

## 3. Installing the indoor unit

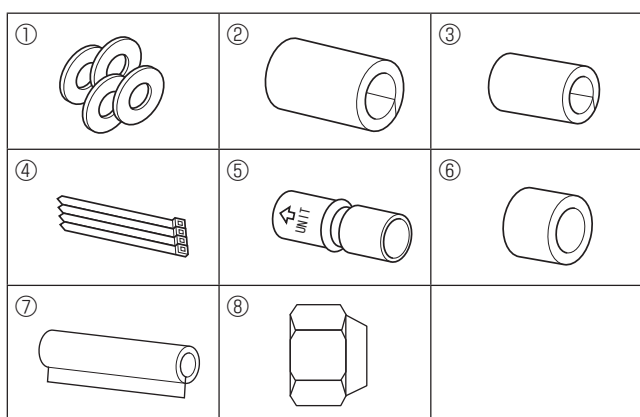


Fig. 3-1

### 2.1. Outline dimensions (Indoor unit) (Fig. 2-1)

Select a proper position allowing the following clearances for installation and maintenance.

Models	W
RP35, 50	960
RP60, 71	1280
RP100, 125, 140	1600

#### ⚠ Warning:

Mount the indoor unit on a ceiling strong enough to withstand the weight of the unit.

### 2.2. Outline dimensions (Outdoor unit)

Refer to the outdoor unit installation manual.

### 3.1. Check the indoor unit accessories (Fig. 3-1)

The indoor unit should be supplied with the following accessories (contained in the inside of the intake grille).

	Accessory name	Q'ty
①	Washer	4 pcs
②	Pipe cover	1 pc Large size (For gas tubing)
③	Pipe cover	1 pc Small size (For liquid tubing)
④	Band	4 pcs
⑤	Joint socket	1 pc Marked with "UNIT"
⑥	Socket cover	1 pc
⑦	Drain tubing cover	1 pc
⑧	Flare nut	1 pc ø6.35 (RP60 only)

### 3.2. Preparation for installation (Fig. 3-2)

#### 3.2.1. Suspension bolt installing grille spacing

Models	A	B
RP35, 50	917	960
RP60, 71	1237	1280
RP100, 125, 140	1557	1600

#### 3.2.2. Refrigerant and drain tubing location

Models	C	D
RP35, 50	184	203
RP60	179	203
RP71-140	180	200

- Ⓐ Front side outlet
- Ⓑ Left side outlet
- Ⓒ Right side outlet
- Ⓓ Independent piece (Removable)
- Ⓔ Right drain tubing
- Ⓕ Left drain tubing
- Ⓖ Gas tubing
- Ⓗ Liquid tubing
- Ⓘ Rubber plug
- Ⓝ with Joint socket ⑤

In case of the rear pipe arrangement, make sure to remove the shaded portions from the ② independent piece. Then put the ③ independent piece back in initial position.

(The heat exchanger might be clogged because of dust)

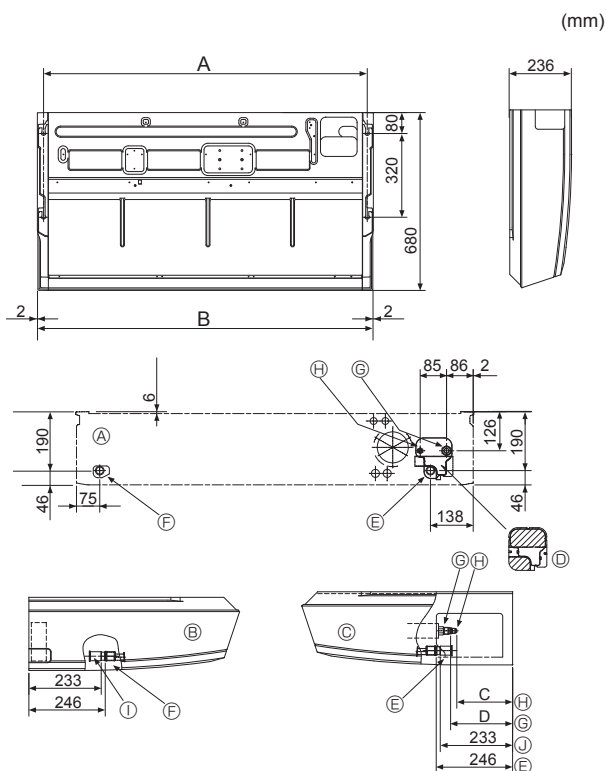


Fig. 3-2

### 3. Installing the indoor unit

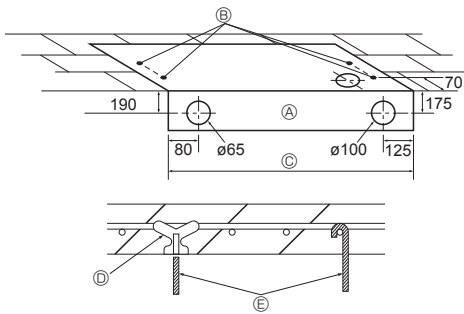


Fig. 3-3

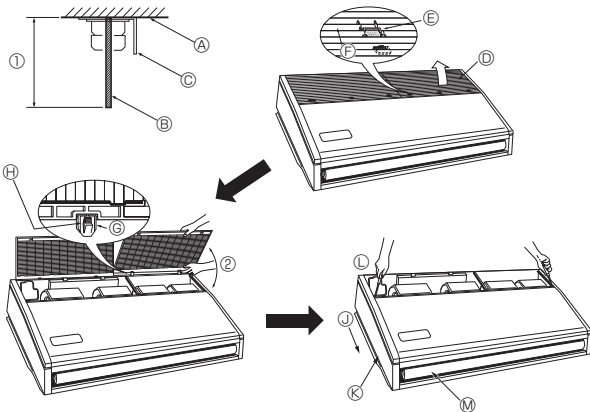


Fig. 3-4

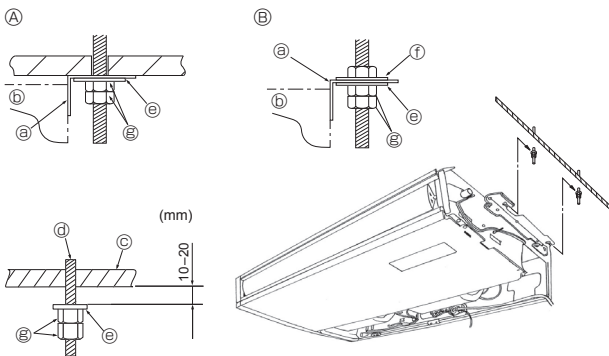


Fig. 3-5

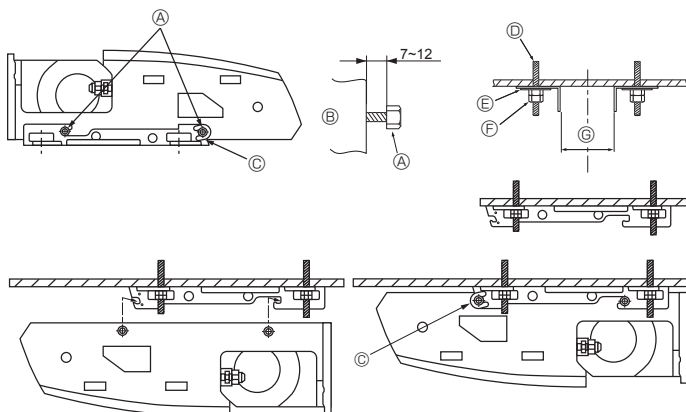


Fig. 3-6

#### 3.2.3. Selection of suspension bolts and tubing positions (Fig. 3-3)

Using the pattern paper provided for installation, select proper positions for suspension bolts and tubing and prepare relative holes.

- Ⓐ Pattern paper
- Ⓑ Suspension bolt hole
- Ⓒ Indoor unit width

Secure the suspension bolts or use angle stock braces or square timbers for bolt installation.

- Ⓓ Use inserts of 100 kg to 150 kg each.
- Ⓔ Use suspension bolts of W3/8 or M10 in size.

#### 3.2.4. Indoor unit preparation (Fig. 3-4)

1. Install the suspending bolts. (Procure the W3/8 or M10 bolts locally.)

Predetermine the length from the ceiling (Ⓓ within 100 mm).

Ⓐ Ceiling surface Ⓑ Suspending bolt Ⓒ Suspending bracket

2. Remove the intake grille.

Slide the intake grille holding knobs (at 2 or 3 locations) backward to open the intake grille.

3. Remove the side panel.

Remove the side panel holding screws (one in each side, right and left) then slide the side panel forward for removal.

- Ⓓ Intake grille
- Ⓔ Slide the side panel forward.
- Ⓔ Intake grille holding knob
- Ⓚ Side panel
- Ⓕ Slide
- Ⓛ Remove the side panel holding screws.
- Ⓜ Hinge
- Ⓜ Remove the protective vinyl of vane.
- Ⓢ Pushing the hinge, pull out the intake grille.
- Ⓣ Forcing open the intake grille or opening it to an angle of more than 120° may damage the hinges.

### 3.3. Installing the indoor unit (Fig. 3-5)

Use a proper suspending method depending on the presence or absence of ceiling materials as follows.

- Ⓐ In the presence of ceiling materials
- Ⓑ In the absence of ceiling materials
- Ⓒ Ceiling
- Ⓓ Suspending bolt
- Ⓔ Suspending bracket
- Ⓢ Washer ①
- Ⓣ Washer (Local procurement)
- Ⓤ Double nuts

#### 1) Directly suspending the unit

Installing procedures

1. Install the washer ① (supplied with the unit) and the nuts (to be locally procured).
2. Set (hook) the unit through the suspending bolts.
3. Tighten the nuts.

Check the unit installing condition.

- Check that the unit is horizontal between the right and left sides.
- Check that the front and the rear of suspending brackets are horizontal.  
(To keep drainage, the unit is inclined to the suspending brackets. The unit slopes continuously downward from the front to the rear is the right installation position.)

#### 2) Installing the suspending bracket first onto the ceiling (Fig. 3-6)

Installing procedures

1. Remove the suspending brackets and U-shaped washers from the unit.
2. Adjust the suspending bracket holding bolts on the unit.
3. Attach the suspending brackets to the suspending bolts.
4. Check that the suspending brackets are horizontal (front and rear/right and left).
5. Set (hook) the unit to the suspending brackets.
6. Tighten fixed bolts of the suspending brackets.

\* Be sure to install the U-shaped washers.

- Ⓐ Suspending bracket holding bolt
- Ⓑ Unit
- Ⓒ U-shaped washer
- Ⓓ Suspending bolt
- Ⓢ Washer ①
- Ⓤ Double nuts

	(mm)	
Ⓒ	RP35, 50	882-887
	RP60, 71	1202-1207
	RP100-140	1522-1527

## 4. Installing the refrigerant piping

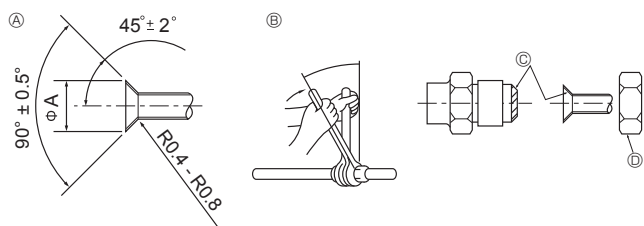


Fig. 4-1

(A) Flare cutting dimensions

Copper pipe O.D. (mm)	Flare dimensions $\phi A$ dimensions (mm)
$\phi 6.35$	8.7 - 9.1
$\phi 9.52$	12.8 - 13.2
$\phi 12.7$	16.2 - 16.6
$\phi 15.88$	19.3 - 19.7
$\phi 19.05$	23.6 - 24.0

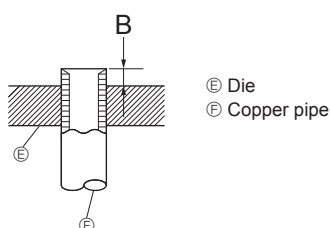


Fig. 4-2

Copper pipe O.D. (mm)	B (mm)
	Flare tool for R410A Clutch type
$\phi 6.35$ (1/4")	0 - 0.5
$\phi 9.52$ (3/8")	0 - 0.5
$\phi 12.7$ (1/2")	0 - 0.5
$\phi 15.88$ (5/8")	0 - 0.5
$\phi 19.05$ (3/4")	0 - 0.5

### 4.1. Precautions

For devices that use R410A refrigerant

- Use ester oil, ether oil or alkylbenzene oil (small amount) as the refrigeration oil applied to the flared sections.
- Use C1220 copper phosphorus for copper and copper alloy seamless pipes, to connect the refrigerant pipes. Use refrigerant pipes with the thicknesses specified in the table below. Make sure the insides of the pipes are clean and do not contain any harmful contaminants such as sulfuric compounds, oxidants, debris, or dust.

#### ⚠ Warning:

When installing or relocating, or servicing the air conditioner, use only the specified refrigerant (R410A) to charge the refrigerant lines. Do not mix it with any other refrigerant and do not allow air to remain in the lines.

If air is mixed with the refrigerant, then it can be the cause of abnormal high pressure in the refrigerant line, and may result in an explosion and other hazards.

The use of any refrigerant other than that specified for the system will cause mechanical failure or system malfunction or unit breakdown. In the worst case, this could lead to a serious impediment to securing product safety.

	RP35, 50	RP60-140
Liquid pipe	$\phi 6.35$ thickness 0.8 mm	$\phi 9.52$ thickness 0.8 mm
Gas pipe	$\phi 12.7$ thickness 0.8 mm	$\phi 15.88$ thickness 1.0 mm

- Do not use pipes thinner than those specified above.

### 4.2. Connecting pipes (Fig. 4-1)

- When commercially available copper pipes are used, wrap liquid and gas pipes with commercially available insulation materials (heat-resistant to 100 °C or more, thickness of 12 mm or more).
- The indoor parts of the drain pipe should be wrapped with polyethylene foam insulation materials (specific gravity of 0.03, thickness of 9 mm or more).
- Apply thin layer of refrigerant oil to pipe and joint seating surface before tightening flare nut.
- Use 2 wrenches to tighten piping connections.
- Use refrigerant piping insulation provided to insulate indoor unit connections. Insulate carefully.

(B) Flare nut tightening torque

Copper pipe O.D. (mm)	Flare nut O.D. (mm)	Tightening torque (N·m)
$\phi 6.35$	17	14-18
$\phi 6.35$	22	34-42
$\phi 9.52$	22	34-42
$\phi 12.7$	26	49-61
$\phi 12.7$	29	68-82
$\phi 15.88$	29	68-82
$\phi 15.88$	36	100-120
$\phi 19.05$	36	100-120

(C) Apply refrigerating machine oil over the entire flare seat surface.

(D) Use correct flare nuts meeting the pipe size of the outdoor unit.

#### Available pipe size

	RP35, 50	RP60	RP71-140
Liquid side	$\phi 6.35$ O	$\phi 6.35$	—
	—	$\phi 9.52$ O	$\phi 9.52$ O
Gas side	$\phi 12.7$ O	$\phi 15.88$ O	$\phi 15.88$ O

O : Factory flare nut attachment to the heat exchanger.

### 4.3. Indoor unit (Fig. 4-3)

#### Installing procedures

- Slide the supplied pipe cover (2) over the gas tubing until it is pressed against the sheet metal inside the unit.
- Slide the provided pipe cover (3) over the liquid tubing until it is pressed against the sheet metal inside the unit.
- Tighten the pipe covers (2) and (3) at the both ends (20 mm) with the supplied bands (4).

- (A) Gas tubing
- (B) Liquid tubing
- (C) Band (4)
- (D) Pipe cover (2)
- (E) Pipe cover (3)
- (F) Press the pipe cover against the sheet metal.
- (G) Refrigerant tubing heat insulating material

### 4.4. For twin/triple combination

Refer to the outdoor unit installation manual.

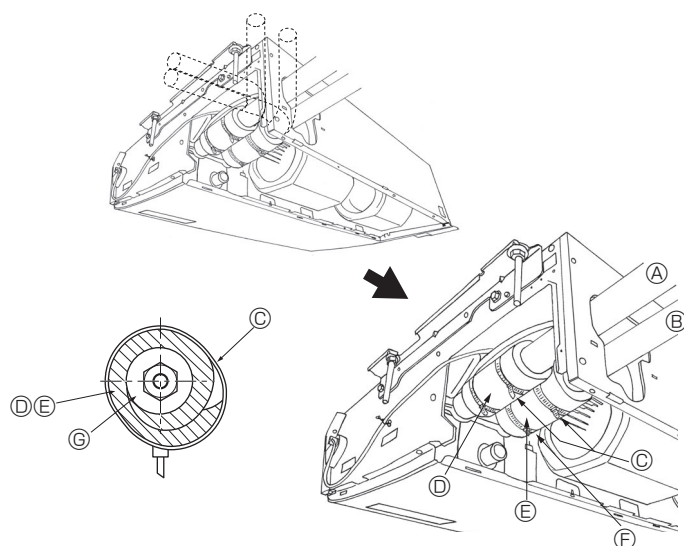


Fig. 4-3

## 5. Drainage piping work

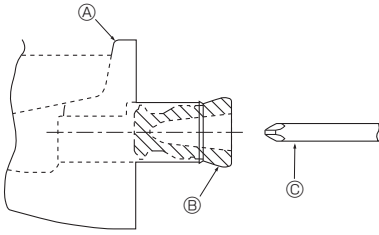


Fig. 5-1

- For left side tubing, be sure to insert the rubber plug into the right drain port. (Fig. 5-1)
- Use VP-20 (O.D.  $\varnothing 26$  (1") PVC TUBE) for drain piping and provide 1/100 or more downward slope.
- After completion of work, check that correct drain is available from the outflow port of the drain tubing.

- Ⓐ Drain pan
- Ⓑ Plug
- Ⓒ Insert the driver etc.in the plug deeply.

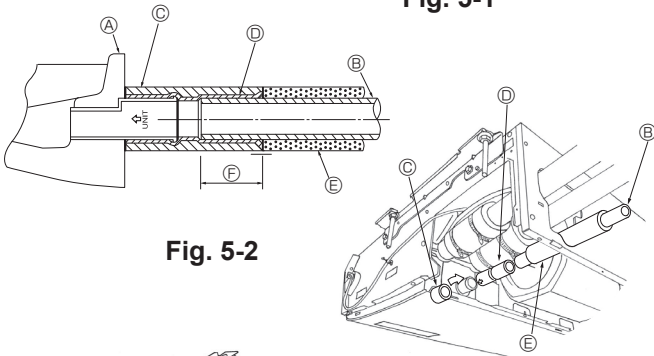


Fig. 5-2

### Installing procedures (Fig. 5-2)

1. Attach the joint socket ⑤ supplied with the unit to the drain port on the unit with a vinyl chloride adhesive.
2. Fasten the socket cover ⑥ supplied with the unit to the joint socket ⑤.
3. Attach the field drain tubing (VP-20) to the joint socket ⑤ with a vinyl chloride adhesive.
4. Wrap the drain tubing cover ⑦ supplied with the unit. (Seam taping)

- Ⓐ Drain pan
- Ⓑ Drain tubing
- Ⓒ Socket cover ⑥
- Ⓓ Joint socket ⑤
- Ⓔ Drain tubing cover ⑦
- Ⓕ Insertion length 37 mm

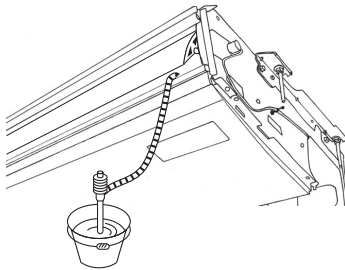


Fig. 5-3

5. Check for correct drainage. (Fig. 5-3)

\* Fill the drain pan with water of about 1 L from the air outlet.

## 6. Electrical work

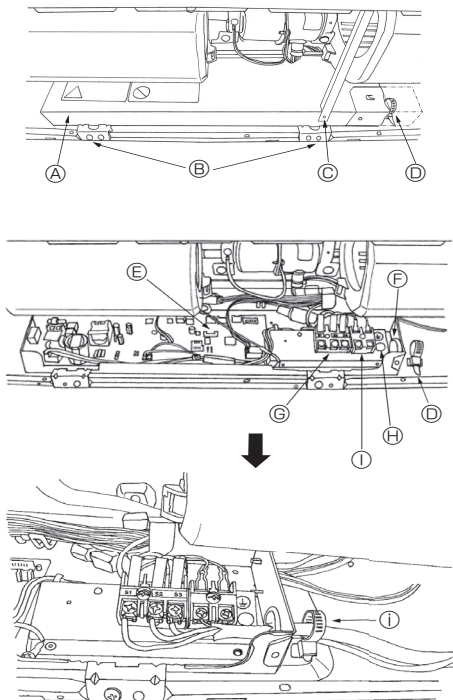


Fig. 6-1

### 6.1. Electric wiring (Fig. 6-1)

#### Wiring procedures

1. Remove the tapping screw ③ then remove the beam.
2. Remove the (2) tapping screws ② then remove the electric part cover ①.
3. Connect the electric wires securely to the corresponding terminals.
4. Replace the removed parts.
5. Tie the electric wires with the local wiring clamp located in the right side of the junction box.

- Ⓐ Cover
- Ⓑ Set screws (2 pcs)
- Ⓒ Set screws (Beam)
- Ⓓ Wiring clamp
- Ⓔ Control board
- Ⓕ Wire service entrance
- Ⓖ Terminal block for indoor and outdoor units connection
- Ⓗ Grounding cable connector
- Ⓘ Terminal block for Remote controller
- Ⓢ Secure with the wiring clamp.

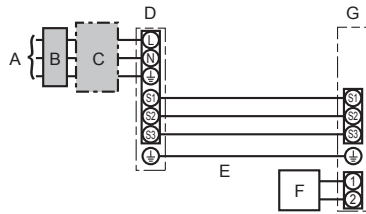
## 6. Electrical work

### 6.1.1. Indoor unit power supplied from outdoor unit

The following connection patterns are available.

The outdoor unit power supply patterns vary on models.

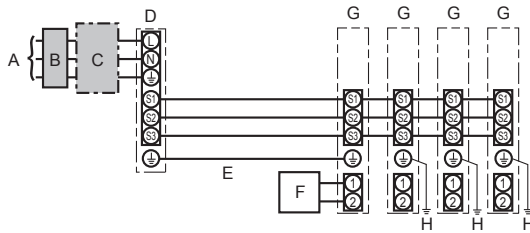
#### 1:1 System



- A Outdoor unit power supply
- B Earth leakage breaker
- C Wiring circuit breaker or isolating switch
- D Outdoor unit
- E Indoor unit/outdoor unit connecting cables
- F Remote controller
- G Indoor unit

\* Affix label A that is included with the manuals near each wiring diagram for the indoor and outdoor units.

#### Simultaneous twin/triple/quadruple system



- A Outdoor unit power supply
- B Earth leakage breaker
- C Wiring circuit breaker or isolating switch
- D Outdoor unit
- E Indoor unit/outdoor unit connecting cables
- F Remote controller
- G Indoor unit
- H Indoor unit earth

\* Affix label A that is included with the manuals near each wiring diagram for the indoor and outdoor units.

Indoor unit model		PCA	
Wiring Wire No. x size (mm <sup>2</sup> )	Indoor unit-Outdoor unit	*1	3 × 1.5 (polar)
	Indoor unit-Outdoor unit earth	*1	1 × Min.1.5
	Indoor unit earth		1 × Min.1.5
	Remote controller-Indoor unit	*2	2 × 0.3 (Non-polar)
Circuit rating	Indoor unit (Heater) L-N	*3	-
	Indoor unit-Outdoor unit S1-S2	*3	AC 230 V
	Indoor unit-Outdoor unit S2-S3	*3	DC24 V
	Remote controller-Indoor unit	*3	DC12 V

\*1. <For 50-140 outdoor unit application>

Max. 45 m

If 2.5 mm<sup>2</sup> used, Max. 50 m

If 2.5 mm<sup>2</sup> used and S3 separated, Max. 80 m

<For 200/250 outdoor unit application>

Max. 18 m

If 2.5 mm<sup>2</sup> used, Max. 30 m

If 4 mm<sup>2</sup> used and S3 separated, Max. 50 m

If 6 mm<sup>2</sup> used and S3 separated, Max. 80 m

\*2. The 10 m wire is attached in the remote controller accessory. Max. 500 m

\*3. The figures are NOT always against the ground.

S3 terminal has DC 24 V against S2 terminal. However between S3 and S1, these terminals are not electrically insulated by the transformer or other device.

**Notes:** 1. Wiring size must comply with the applicable local and national code.

2. Power supply cords and indoor unit/outdoor unit connecting cords shall not be lighter than polychloroprene sheathed flexible cord. (Design 60245 IEC 57)

3. Install an earth longer than other cables.

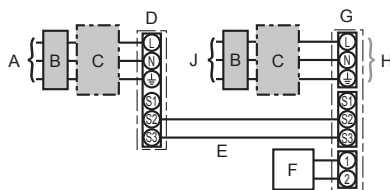
### 6.1.2. Separate indoor unit/outdoor unit power supplies (For PUHZ application only)

The following connection patterns are available.

The outdoor unit power supply patterns vary on models.

#### 1:1 System

\* The indoor power supply terminal kit is required.



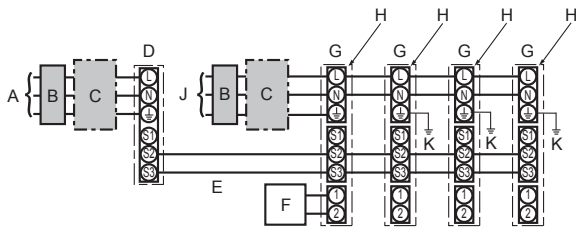
- A Outdoor unit power supply
- B Earth leakage breaker
- C Wiring circuit breaker or isolating switch
- D Outdoor unit
- E Indoor unit/outdoor unit connecting cables
- F Remote controller
- G Indoor unit
- H Option
- J Indoor unit power supply

\* Affix label B that is included with the manuals near each wiring diagram for the indoor and outdoor units.

## 6. Electrical work

### Simultaneous twin/triple/quadruple system

\* The indoor power supply terminal kits are required.



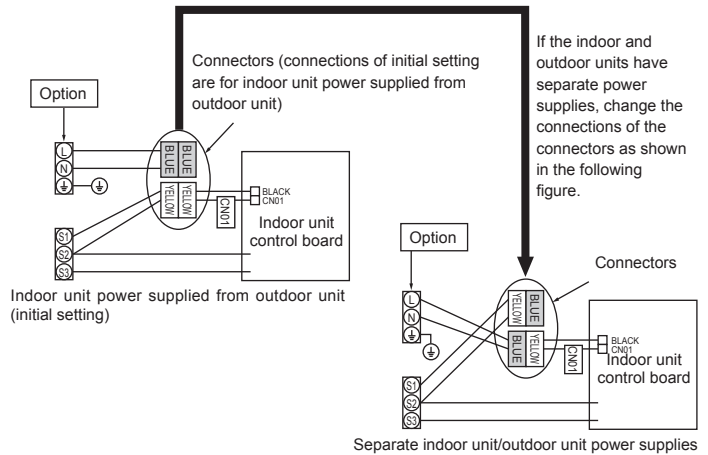
- A Outdoor unit power supply
- B Earth leakage breaker
- C Wiring circuit breaker or isolating switch
- D Outdoor unit
- E Indoor unit/outdoor unit connecting cables
- F Remote controller
- G Indoor unit
- H Option
- J Indoor unit power supply
- K Indoor unit earth

\* Affix label B that is included with the manuals near each wiring diagram for the indoor and outdoor units.

If the indoor and outdoor units have separate power supplies, refer to the table below. If the indoor power supply terminal kit is used, change the indoor unit electrical box wiring referring to the figure in the right and the DIP switch settings of the outdoor unit control board.

	Indoor unit specifications								
Indoor power supply terminal kit (option)	Required								
Indoor unit electrical box connector connection change	Required								
Label affixed near each wiring diagram for the indoor and outdoor units	Required								
Outdoor unit DIP switch settings (when using separate indoor unit/outdoor unit power supplies only)	<table border="1"> <tr> <td>ON</td> <td></td> <td></td> <td>3</td> </tr> <tr> <td>OFF</td> <td>1</td> <td>2</td> <td></td> </tr> </table> (SW8) Set the SW8-3 to ON.	ON			3	OFF	1	2	
ON			3						
OFF	1	2							

\* There are 3 types of labels (labels A, B and C). Affix the appropriate labels to the units according to the wiring method.



Indoor unit model	PCA	
Indoor unit power supply	~N (single), 50 Hz, 230 V	
Indoor unit input capacity Main switch (Breaker)	*1	16 A
Wiring × Wire No. × Wire size (mm <sup>2</sup> )	Indoor unit power supply & earth	3 × Min. 1.5
	Indoor unit-Outdoor unit	*2 2 × Min. 0.3
	Indoor unit-Outdoor unit earth	-
	Remote controller-Indoor unit	*3 2 × 0.3 (Non-polar)
Circuit rating	Indoor unit L-N	*4 AC 230 V
	Indoor unit-Outdoor unit S1-S2	*4 -
	Indoor unit-Outdoor unit S2-S3	*4 DC24 V
	Remote controller-Indoor unit	*4 DC12 V

\*1. A breaker with at least 3.0 mm contact separation in each pole shall be provided. Use earth leakage breaker (NV). The breaker shall be provided to ensure disconnection of all active phase conductors of the supply.

\*2. Max. 120 m

\*3. The 10 m wire is attached in the remote controller accessory. Max. 500 m

\*4. The figures are NOT always against the ground.

Notes: 1. Wiring size must comply with the applicable local and national code.

2. Power supply cords and indoor unit/outdoor unit connecting cords shall not be lighter than polychloroprene sheathed flexible cord. (Design 60245 IEC 57)

3. Install an earth longer than other cables.

#### ⚠ Warning:

Never splice the power cable or the indoor-outdoor connection cable, otherwise it may result in a smoke, a fire or communication failure.



## 6. Electrical work

### 6.2. Remote controller

#### 6.2.1. For wired remote controller

##### 1) 2 remote controllers setting

If 2 remote controllers are connected, set one to "Main" and the other to "Sub". For setting procedures, refer to "Function selection of remote controller" in the operation manual for the indoor unit.

#### 6.2.2. For wireless remote controller

##### 1) Installation area

- Area in which the remote controller is not exposed to direct sunshine.
- Area in which there is no nearby heating source.
- Area in which the remote controller is not exposed to cold (or hot) winds.
- Area in which the remote controller can be operated easily.
- Area in which the remote controller is beyond the reach of children.

##### 2) Installation method (Fig. 6-2)

① Attach the remote controller holder to the desired location using 2 tapping screws.

② Place the lower end of the controller into the holder.

Ⓐ Remote controller Ⓑ Wall Ⓒ Display panel Ⓓ Receiver

- The signal can travel up to approximately 7 meters (in a straight line) within 45 degrees to both right and left of the center line of the receiver.

##### 3) Setting (Fig. 6-3)

① Insert batteries.

② Press the SET button with something sharp at the end.

**MODEL SELECT** blinks and Model No. is lighted.

③ Press the temp  $\odot$   $\odot$  buttons to set the Model No.

If you mistook the operation, press the ON/OFF  $\odot$  button and operate again from procedure ②.

④ Press the SET button with something sharp at the end.

**MODEL SELECT** and Model No. are lighted for 3 seconds, then turned off.

Indoor	Outdoor	Ⓐ Model No.
PCA	PUH, PUHZ, SUZ	001
	PU	033

##### 4) Assigning a remote controller to each unit (Fig. 6-4)

Each unit can be operated only by the assigned remote controller.

Make sure each pair of an indoor unit PC board and a remote controller is assigned to the same pair No.

##### 5) Wireless remote controller pair number setting operation

① Press the SET button with something sharp at the end.

Start this operation from the status of remote controller display turned off.

**MODEL SELECT** blinks and Model No. is lighted.

② Press the  $\text{min}$  button twice continuously. Pair No. "0" blinks.

③ Press the temp  $\odot$   $\odot$  buttons to set the pair number you want to set.

If you mistook the operation, press the ON/OFF  $\odot$  button and operate again from procedure ②.

④ Press the SET button with something sharp at the end.

Set pair number is lighted for 3 seconds then turned off.

Ⓐ Pair No. of wireless remote controller	Indoor PC board
0	Initial setting
1	Cut J41
2	Cut J42
3-9	Cut J41, J42

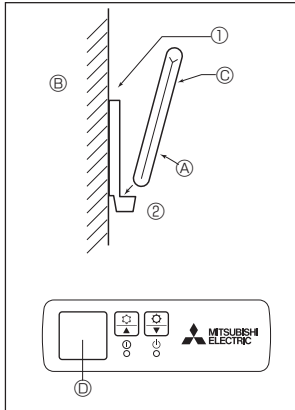


Fig. 6-2

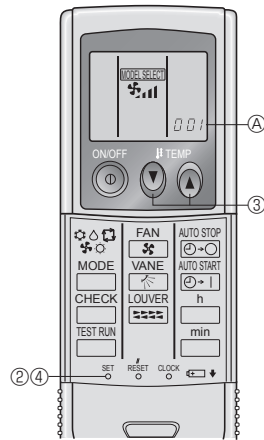


Fig. 6-3

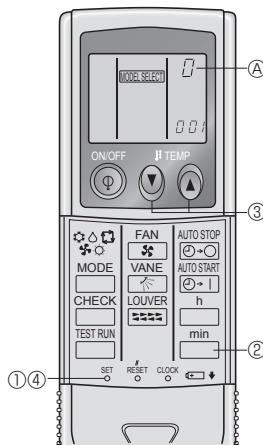


Fig. 6-4

## 6. Electrical work

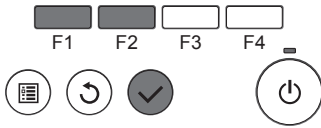
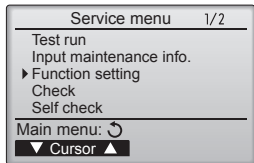


Fig. 6-5

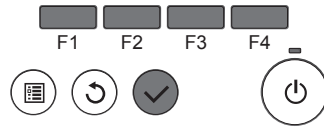
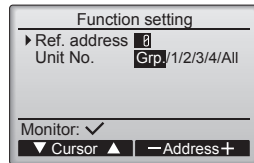


Fig. 6-6

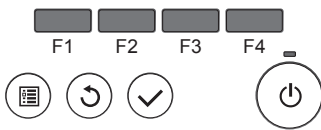
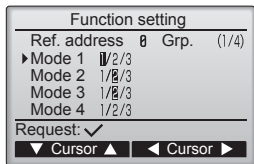


Fig. 6-7

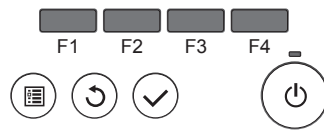
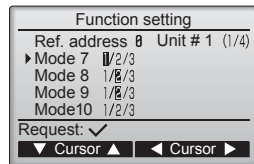


Fig. 6-8

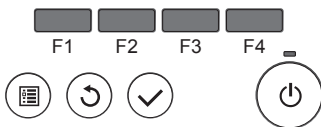
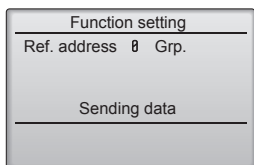


Fig. 6-9

### 6.3. Function settings

#### 6.3.1. Function setting on the unit (Selecting the unit functions)

##### 1) For wired remote controller

① (Fig. 6-5)

- Select "Service" from the Main menu, and press the [SELECT] button.
- Select "Function settings" with the [F1] or [F2] button, and press the [SELECT] button.

② (Fig. 6-6)

- Set the indoor unit refrigerant addresses and unit numbers with the [F1] through [F4] buttons, and then press the [SELECT] button to confirm the current setting.

##### <Checking the Indoor unit No.>

When the [SELECT] button is pressed, the target indoor unit will start fan operation. If the unit is common or when running all units, all indoor units for the selected refrigerant address will start fan operation.

③ (Fig. 6-7)

- When data collection from the indoor units is completed, the current settings appears highlighted. Non-highlighted items indicate that no function settings are made. Screen appearance varies depending on the "Unit No." setting.

④ (Fig. 6-8)

- Use the [F1] or [F2] button to move the cursor to select the mode number, and change the setting number with the [F3] or [F4] button.

⑤ (Fig. 6-9)

- When the settings are completed, press the [SELECT] button to send the setting data from the remote controller to the indoor units.
- When the transmission is successfully completed, the screen will return to the Function setting screen.

## 6. Electrical work

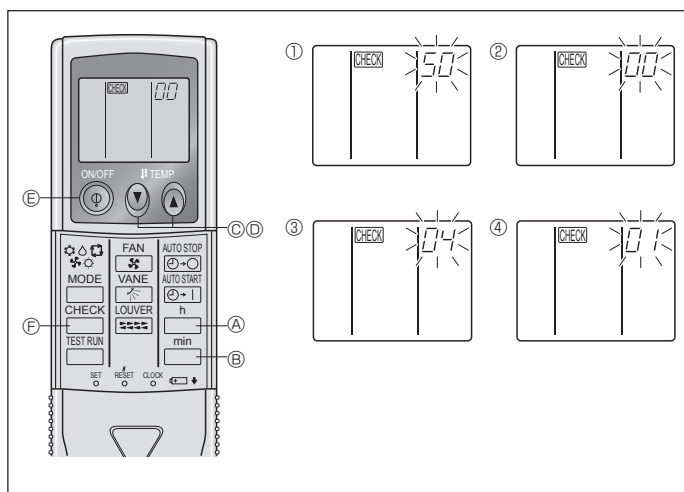


Fig. 6-10

### 2) For wireless remote controller (Fig. 6-10)

#### Changing the power voltage setting

- Be sure to change the power voltage setting depending on the voltage used.

#### ① Going to the function select mode

Press the **CHECK** button **F** twice continuously.

(Start this operation from the status of remote controller display turned off.)

**CHECK** is lighted and "00" blinks.

Press the **temp** button **C** once to set "50". Direct the wireless remote controller toward the receiver of the indoor unit and press the **h** button **A**.

#### ② Setting the unit number

Press the **temp** buttons **C** and **D** to set the unit number "00". Direct the wireless remote controller toward the receiver of the indoor unit and press the **min** button **B**.

#### ③ Selecting a mode

Enter 04 to change the power voltage setting using the **temp** buttons **C** and **D**. Direct the wireless remote controller toward the receiver of the indoor unit and press the **h** button **A**.

Current setting number: 1 = 1 beep (1 second)

2 = 2 beeps (1 second each)

3 = 3 beeps (1 second each)

#### ④ Selecting the setting number

Use the **temp** buttons **C** and **D** to change the power voltage setting to 01 (240 V). Direct the wireless remote controller toward the sensor of the indoor unit and press the **h** button **A**.

#### ⑤ To select multiple functions continuously

Repeat steps ③ and ④ to change multiple function settings continuously.

#### ⑥ Complete function selection

Direct the wireless remote controller toward the sensor of the indoor unit and press the **temp** button **E**.

**Note:** Whenever changes are made to the function settings after installation or maintenance, be sure to record the changes with a mark in the "Setting" column of the Function table.

### 6.3.2. Function setting on the remote controller

Refer to the indoor unit operation manual.

#### Function table

Select unit number 00

Mode	Settings	Mode no.	Setting no.	Initial setting	setting
Power failure automatic recovery	Not available	01	1		
	Available *		2	○	
Indoor temperature detecting	Indoor unit operating average	02	1	○	
	Set by indoor unit's remote controller		2		
	Remote controller's internal sensor		3		
LOSSNAY connectivity	Not Supported	03	1	○	
	Supported (indoor unit is not equipped with outdoor-air intake)		2		
	Supported (indoor unit is equipped with outdoor-air intake)		3		
Power voltage	240 V	04	1		
	220 V, 230 V		2	○	

Select unit numbers 01 to 03 or all units (AL [wired remote controller]/07 [wireless remote controller])

Mode	Settings	Mode no.	Setting no.	Initial setting	setting
Filter sign	100Hr	07	1		
	2500Hr		2	○	
	No filter sign indicator		3		
Fan speed	Silent	08	1		
	Standard		2	○	
	High ceiling		3		
Up/down vane setting	No vanes	11	1		
	Equipped with vanes (vaner angle setup ①)		2	○	
	Equipped with vanes (vaner angle setup ②)		3		

\* When the power supply returns, the air conditioner will start 3 minutes later.

## 7. Test run

### 7.1. Before test run

- ▶ After completing installation and the wiring and piping of the indoor and outdoor units, check for refrigerant leakage, looseness in the power supply or control wiring, wrong polarity, and no disconnection of one phase in the supply.
  - ▶ Use a 500-volt megohmmeter to check that the resistance between the power supply terminals and ground is at least 1 MΩ.
  - ▶ Do not carry out this test on the control wiring (low voltage circuit) terminals.
- ⚠ **Warning:**  
Do not use the air conditioner if the insulation resistance is less than 1 MΩ.

### 7.2. Test run

#### 7.2.1. Using wired remote controller.

- Make sure to read operation manual before test run. (Especially items to secure safety)

##### Step 1 Turn on the power.

- Remote controller: The system will go into startup mode, and the remote controller power lamp (green) and "PLEASE WAIT" will blink. While the lamp and message are blinking, the remote controller cannot be operated. Wait until "PLEASE WAIT" is not displayed before operating the remote controller. After the power is turned on, "PLEASE WAIT" will be displayed for approximately 2 minutes.
- Indoor controller board: LED 1 will be lit up, LED 2 will be lit up (if the address is 0) or off (if the address is not 0), and LED 3 will blink.
- Outdoor controller board: LED 1 (green) and LED 2 (red) will be lit up. (After the startup mode of the system finishes, LED 2 will be turned off.) If the outdoor controller board uses a digital display, [-] and [-] will be displayed alternately every second.

If the operations do not function correctly after the procedures in step 2 and thereafter are performed, the following causes should be considered and eliminated if they are found.

(The symptoms below occur during the test run mode. "Startup" in the table means the LED display written above.)

Symptoms in test run mode		Cause
Remote Controller Display	OUTDOOR BOARD LED Display < > indicates digital display.	
Remote controller displays "PLEASE WAIT", and cannot be operated.	After "startup" is displayed, only green lights up. <00>	• After power is turned on, "PLEASE WAIT" is displayed for 2 minutes during system startup. (Normal)
After power is turned on, "PLEASE WAIT" is displayed for 3 minutes, then error code is displayed.	After "startup" is displayed, green (once) and red (once) blink alternately. <F1>	• Incorrect connection of outdoor terminal block (R, S, T and S <sub>1</sub> , S <sub>2</sub> , S <sub>3</sub> .)
	After "startup" is displayed, green (once) and red (twice) blink alternately. <F3, F5, F9>	• Outdoor unit's protection device connector is open.
No display appears even when remote controller operation switch is turned on. (Operation lamp does not light up.)	After "startup" is displayed, green (twice) and red (once) blink alternately. <EA, Eb>	• Incorrect wiring between the indoor and outdoor unit (Polarity is wrong for S <sub>1</sub> , S <sub>2</sub> , S <sub>3</sub> .)
	After "startup" is displayed, only green lights up. <00>	• Remote controller transmission wire short.
Display appears but soon disappears even when remote controller is operated.	After "startup" is displayed, only green lights up. <00>	• There is no outdoor unit of address 0. (Address is other than 0.)
		• Remote controller transmission wire open.
		• After canceling function selection, operation is not possible for about 30 seconds. (Normal)

##### Step 2 Switch the remote controller to "Test run".

- ① Select "Test run" from the Service menu, and press the [SELECT] button. (Fig. 7-1)
- ② Select "Test run" from the Test run menu, and press the [SELECT] button. (Fig. 7-2)
- ③ The test run operation starts, and the Test run operation screen is displayed.

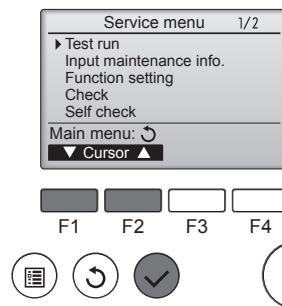


Fig. 7-1

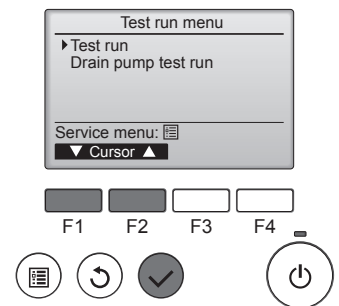


Fig. 7-2

##### Step 3 Perform the test run and check the airflow temperature and auto vane.

- ① Press the [F1] button to change the operation mode. (Fig. 7-3)  
Cooling mode: Check that cool air blows from the unit.  
Heating mode: Check that warm air blows from the unit.
- ② Press the [SELECT] button to display the Vane operation screen, and then press the [F1] and [F2] buttons to check the auto vane. (Fig. 7-4)  
Press the [RETURN] button to return to the Test run operation screen.

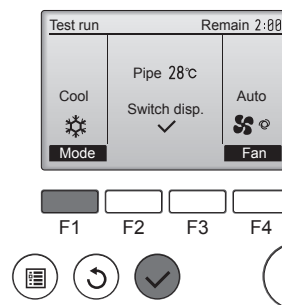


Fig. 7-3

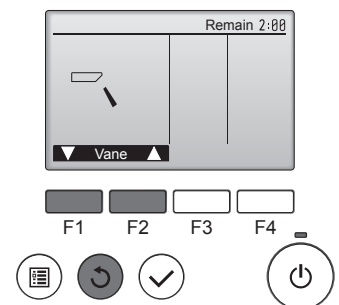


Fig. 7-4

##### Step 4 Confirm the operation of the outdoor unit fan.

The speed of the outdoor unit fan is controlled in order to control the performance of the unit. Depending on the ambient air, the fan will rotate at a slow speed and will keep rotating at that speed unless the performance is insufficient. Therefore, the outdoor wind may cause the fan to stop rotating or to rotate in the opposite direction, but this is not a problem.

## 7. Test run

### Step 5 Stop the test run.

① Press the [ON/OFF] button to stop the test run. (The Test run menu will appear.)

Note: If an error is displayed on the remote controller, see the table below.

LCD	Description of malfunction	LCD	Description of malfunction	LCD	Description of malfunction
P1	Intake sensor error	P9	Pipe sensor error (dual-wall pipe)	E0 ~ E5	Communication error between the remote controller and the indoor unit
P2	Pipe sensor error (liquid pipe)	PA	Leakage error (refrigerant system)		
P4	Drain float switch connector disconnected (CN4F)	PL	Refrigerant circuit abnormal		
P5	Drain overflow protection operation	FB	Indoor controller board error	E6 ~ EF	Communication error between the indoor unit and the outdoor unit
P6	Freezing/overheating protection operation	U*, F*	Outdoor unit malfunction Refer to the wiring diagram for the outdoor unit.		
P8	Pipe temperature error	(* indicates an alphanumeric character excluding FB.)			

See the table below for the details of the LED display (LED 1, 2, and 3) on the indoor controller board.

LED1 (microcomputer power supply)	Indicates whether control power is supplied. Make sure that this LED is always lit.
LED2 (remote controller power supply)	Indicates whether power is supplied to the wired remote controller. The LED is lit only for the indoor unit that is connected to the outdoor unit that has an address of 0.
LED3 (indoor/outdoor unit communication)	Indicates whether the indoor and outdoor units are communicating. Make sure that this LED is always blinking.

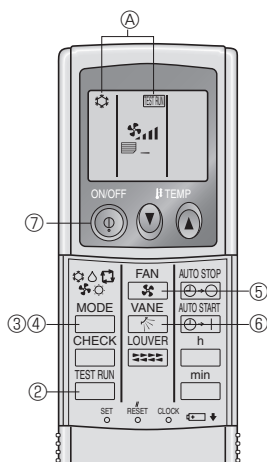


Fig. 7-5

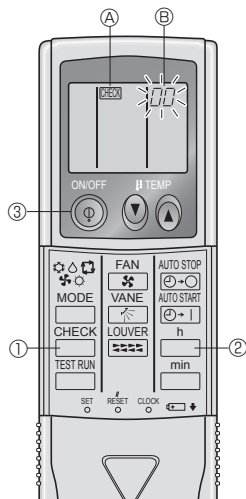


Fig. 7-6

### 7.2.2. Using wireless remote controller (Fig. 7-5)

- Turn on the power to the unit at least 12 hours before the test run.
- Press the **TEST RUN** button twice continuously.  
(Start this operation from the status of remote controller display turned off.)  
A **TEST RUN** and current operation mode are displayed.
- Press the **MODE** button (COOL mode icon) to activate COOL mode, then check whether cool air is blown out from the unit.
- Press the **MODE** button (HEAT mode icon) to activate HEAT mode, then check whether warm air is blown out from the unit.
- Press the **FAN VANE** button and check whether fan speed changes.
- Press the **VANE** button and check whether the auto vane operates properly.
- Press the ON/OFF button to stop the test run.

#### Note:

- Point the remote controller towards the indoor unit receiver while following steps ② to ⑦.
- It is not possible to run the TEST RUN in FAN, DRY or AUTO mode.

### 7.2.3. Using SW4 in outdoor unit

Refer to the outdoor unit installation manual.

## 7.3. Self-check

### 7.3.1. Wired remote controller

■ Refer to the installation manual that comes with each remote controller for details.

- Press the [CHECK] button twice.
- Set refrigerant address with [TEMP] button if system control is used.
- Press the [ON/OFF] button to stop the self-check.

- A CHECK button
- B Refrigerant address
- C TEMP. button
- D IC: Indoor unit  
OC: Outdoor unit
- E Check code
- F Unit address

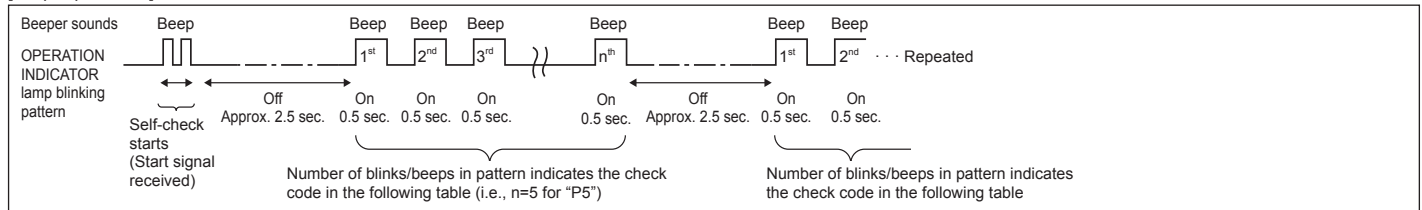
### 7.3.2. Wireless remote controller (Fig. 7-6)

- Turn on the power.
- Press the **CHECK** button twice.  
(Start this operation from the status of remote controller display turned off.)  
A **CHECK** begins to light.  
B "00" begins to blink.
- While pointing the remote controller toward the unit's receiver, press the **LAMPS** button. The check code will be indicated by the number of times that the buzzer sounds from the receiver section and the number of blinks of the operation lamp.
- Press the ON/OFF button to stop the self-check.

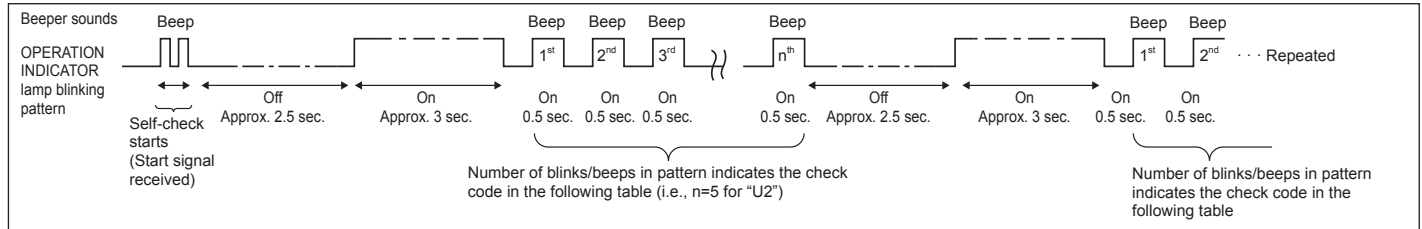
## 7. Test run

- Refer to the following tables for details on the check codes. (Wireless remote controller)

### [Output pattern A]



### [Output pattern B]



### [Output pattern A] Errors detected by indoor unit

Wireless remote controller	Wired remote controller	Symptom	Remark
Beeper sounds/OPERATION INDICATOR lamp blinks (Number of times)	Check code		
1	P1	Intake sensor error	
2	P2	Pipe (TH2) sensor error	
	P9	Pipe (TH5) sensor error	
3	E6, E7	Indoor/outdoor unit communication error	
4	P4	Float switch connector open	
5	P5	Drain pump error	
	PA	Forced compressor stop (due to water leakage abnormality)	
6	P6	Freezing/Overheating protection operation	
7	EE	Communication error between indoor and outdoor units	
8	P8	Pipe temperature error	
9	E4	Remote controller signal receiving error	
10	—	—	
11	—	—	
12	Fb	Indoor unit control system error (memory error, etc.)	
14	PL	Refrigerant circuit abnormal	
No sound	E0, E3	Remote controller transmission error	
No sound	E1, E2	Remote controller control board error	
No sound	— — — —	No corresponding	

## 7. Test run

[Output pattern B] Errors detected by unit other than indoor unit (outdoor unit, etc.)

Wireless remote controller	Wired remote controller	Symptom	Remark
Beeper sounds/OPERATION INDICATOR lamp blinks (Number of times)	Check code		
1	E9	Indoor/outdoor unit communication error (Transmitting error) (Outdoor unit)	For details, check the LED display of the outdoor controller board.
2	UP	Compressor overcurrent interruption	
3	U3, U4	Open/short of outdoor unit thermistors	
4	UF	Compressor overcurrent interruption (When compressor locked)	
5	U2	Abnormal high discharging temperature/49C worked/insufficient refrigerant	
6	U1, Ud	Abnormal high pressure (63H worked)/Overheating protection operation	
7	U5	Abnormal temperature of heat sink	
8	U8	Outdoor unit fan protection stop	
9	U6	Compressor overcurrent interruption/Abnormal of power module	
10	U7	Abnormality of super heat due to low discharge temperature	
11	U9, UH	Abnormality such as overvoltage or voltage shortage and abnormal synchronous signal to main circuit/Current sensor error	
12	—	—	
13	—	—	
14	Others	Other errors (Refer to the technical manual for the outdoor unit.)	

\*1. If the beeper does not sound again after the initial 2 beeps to confirm the self-check start signal was received and the OPERATION INDICATOR lamp does not come on, there are no error records.

\*2. If the beeper sounds 3 times continuously “beep, beep, beep (0.4 + 0.4 + 0.4 sec.)” after the initial 2 beeps to confirm the self-check start signal was received, the specified refrigerant address is incorrect.

- On wireless remote controller  
The continuous buzzer sounds from receiving section of indoor unit.  
Blink of operation lamp
- On wired remote controller  
Check code displayed in the LCD.

- If the unit cannot be operated properly after test run, refer to the following table to find the cause.

Symptom		Cause
Wireless remote controller	LED 1, 2 (PCB in outdoor unit)	
PLEASE WAIT	For about 2 minutes after power-on	After LED 1, 2 are lighted, LED 2 is turned off, then only LED 1 is lighted. (Correct operation) • For about 2 minutes after power-on, operation of the remote controller is not possible due to system start-up. (Correct operation)
PLEASE WAIT → Error code	Subsequent to about 2 minutes after power-on	Only LED 1 is lighted. → LED 1, 2 blink. • Connector for the outdoor unit's protection device is not connected. Reverse or open phase wiring for the outdoor unit's power terminal block (L1, L2, L3)
Display messages do not appear even when operation switch is turned ON (operation lamp does not light up).		Only LED 1 is lighted. → LED 1 blinks twice, LED 2 blinks once. • Incorrect wiring between indoor and outdoor units (incorrect polarity of S1, S2, S3) • Remote controller wire short

On the wireless remote controller with condition above, following phenomena take place.

- No signals from the remote controller are accepted.
- Operation lamp is blinking.
- The buzzer makes a short ping sound.

**Note:**

**Operation is not possible for about 30 seconds after cancellation of function selection. (Correct operation)**

For description of each LED (LED1, 2, 3) provided on the indoor controller, refer to the following table.

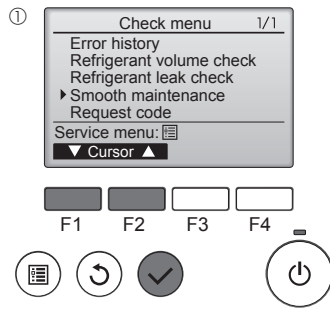
LED 1 (power for microcomputer)	Indicates whether control power is supplied. Make sure that this LED is always lit.
LED 2 (power for remote controller)	Indicates whether power is supplied to the remote controller. This LED lights only in the case of the indoor unit which is connected to the outdoor unit refrigerant address “0”.
LED 3 (communication between indoor and outdoor units)	Indicates state of communication between the indoor and outdoor units. Make sure that this LED is always blinking.

## 8. Easy maintenance function

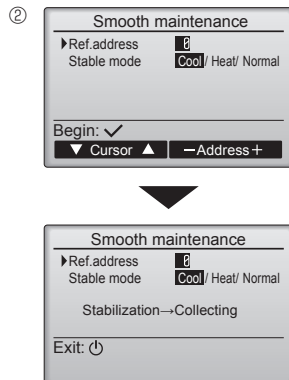
Maintenance data, such as the indoor/outdoor unit's heat exchanger temperature and compressor operation current can be displayed with "Smooth maintenance".

\* This cannot be executed during test operation.

\* Depending on the combination with the outdoor unit, this may not be supported by some models.

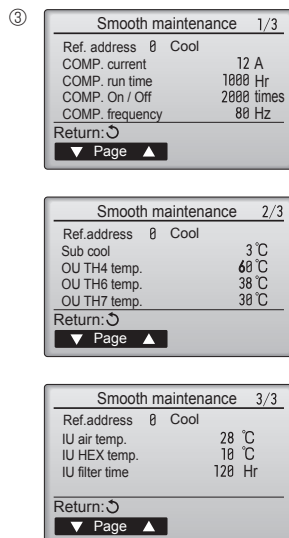


- Select "Service" from the Main menu, and press the [SELECT] button.
- Select "Check" with the [F1] or [F2] button, and press the [SELECT] button.
- Select "Smooth maintenance" with the [F1] or [F2] button, and press the [SELECT] button.



Select each item.

- Select the item to be changed with the [F1] or [F2] button.
- Select the required setting with the [F3] or [F4] button.  
 "Ref. address" setting ..... "0" - "15"  
 "Stable mode" setting ..... "Cool" / "Heat" / "Normal"
- Press the [SELECT] button, fixed operation will start.  
 \* Stable mode will take approx. 20 minutes.



The operation data will appear.

The Compressor-Accumulated operating (COMP. run) time is 10-hour unit, and the Compressor-Number of operation times (COMP. On/Off) is a 100-time unit (fractions discarded)

### Navigating through the screens

- To go back to the Main menu.....[MENU] button
- To return to the previous screen ..... [RETURN] button



# Содержание

1. Меры предосторожности.....	167	5. Дренажные трубы.....	171
2. Место установки .....	168	6. Электрические работы .....	171
3. Установка внутреннего прибора.....	168	7. Выполнение испытания.....	177
4. Прокладка труб хладагента .....	170	8. Функция простого техобслуживания .....	181

## Примечание:

В этом руководстве по использованию аппарата фраза “проводной пульт дистанционного управления” относится к пульту дистанционного управления PAR-31MAA.

Сведения о других пультах дистанционного управления приводятся в руководстве по установке или руководстве по начальным настройкам, находящемся в этих коробках.

## 1. Меры предосторожности

- ▶ До установки прибора убедитесь, что Вы прочли все “Меры предосторожности”.
- ▶ Пожалуйста, перед подключением данного оборудования к системе электропитания, сообщите об этом своему поставщику электропитания или получите его разрешение.

### ⚠ Предупреждение:

Описывает меры предосторожности, необходимые для предотвращения получения травмы или гибели пользователя.

### ⚠ Осторожно:

Описывает меры предосторожности, необходимые для предотвращения повреждения прибора.

### ⚠ Предупреждение:

- Для выполнения установки прибора обратитесь к дилеру или сертифицированному техническому специалисту.
- При установочных работах следуйте инструкциям в Руководстве по установке и используйте инструменты и детали трубопроводов, специально предназначенные для использования с хладагентом, указанным в руководстве по установке наружного прибора.
- Прибор должен быть установлен согласно инструкциям, чтобы свести к минимуму риск повреждения от землетрясений, тайфунов или сильных порывов ветра. Неправильно установленный прибор может упасть и причинить повреждение или нанести травму.
- Прибор должен быть установлен на конструкции, способной выдержать его вес.
- Если кондиционер установлен в небольшом помещении, необходимо принять меры для предотвращения концентрации хладагента свыше безопасных пределов в случае утечки хладагента. В случае утечки хладагента и превышении допустимой его концентрации из-за нехватки кислорода в помещении может произойти несчастный случай.
- Если во время работы прибора произошла утечка хладагента, проветрите помещение. При контакте хладагента с пламенем образуются ядовитые газы.
- Все электроработы должны выполняться квалифицированным техническим специалистом в соответствии с местными правилами и инструкциями, приведенными в данном Руководстве.
- Используйте для проводки указанные кабели. Убедитесь, что кабели надежно соединены, а оконечные соединения не натянуты. Никогда не соединяйте кабели внахлест (если иное не указано в прилагаемой документации). Несоблюдение этих инструкций может привести к перегреву или возгоранию.

После окончания установочных работ проинструктируйте пользователя относительно правил эксплуатации и обслуживания аппарата, а также ознакомьте с разделом “Меры предосторожности” в соответствии с информацией, приведенной в Руководстве по использованию аппарата, и выполните тестовый прогон аппарата для того, чтобы убедиться, что он работает нормально. Обязательно передайте пользователю на хранение экземпляры Руководства по установке и Руководства по эксплуатации. Эти Руководства должны быть переданы и последующим пользователям данного прибора.

⚡ :Указывает, что данная часть должна быть заземлена.

### ⚠ Предупреждение:

Внимательно прочтите текст на этикетках главного прибора.

- Установку необходимо выполнять в соответствии с действующими правилами электробезопасности.
- Крышка клеммной коробки должна быть надежно присоединена к прибору.
- Поврежденный кабель из комплекта поставки должен быть заменен в целях безопасности производителем, сервисным агентом или лицами, обладающими необходимой квалификацией.
- Используйте только те дополнительные принадлежности, на которые имеется разрешение от Mitsubishi Electric; для их установки обратитесь к дилеру или уполномоченному техническому специалисту.
- Пользователю не следует пытаться ремонтировать прибор или перемещать его на другое место.
- По окончании установки убедитесь в отсутствии утечки хладагента. Если хладагент проникнет в помещение и произойдет контакт его с пламенем обогревателя или переносного пищевого нагревателя, образуются ядовитых газов.
- При монтаже или перемещении, а также при обслуживании кондиционера используйте только указанный хладагент (R410A) для заполнения трубопроводов хладагента. Не смешивайте его ни с каким другим хладагентом и не допускайте наличия воздуха в трубопроводах. Наличие воздуха в трубопроводах может вызывать скачки давления, в результате которых может произойти взрыв или другие повреждения. Использование любого хладагента, отличного от указанного для этой системы, вызовет механическое повреждение, сбой в работе системы, или выход устройства из строя. В наилучшем случае, это может послужить серьезной преградой к обеспечению безопасной работы этого изделия.

### 1.1. Перед установкой (Окружающая среда)

#### ⚠ Осторожно:

- Не используйте прибор в нестандартной окружающей среде. Установка кондиционера в местах, подверженных воздействию пара, летучих масел (включая машинное масло) или сернистых испарений, местах с повышенной концентрацией соли (таких, как берег моря), может привести к значительному снижению эффективности работы прибора или повреждению его внутренних частей.
- Не устанавливайте прибор в местах, где возможна утечка, возникновение, приток или накопление горючих газов. Если горючий газ будет накапливаться вокруг прибора, это может привести к возникновению пожара или взрыву.
- Не держите пищевые продукты, растения, домашних животных в клетках, произведения искусства и точные инструменты в прямом потоке воздуха от внутреннего прибора или слишком близко к нему, поскольку эти предметы могут быть повреждены перепадами температуры или каплюющей водой.

- При уровне влажности в помещении выше 80% или закупорке дренажной трубы из внутреннего прибора может капать вода. Не устанавливайте внутренний прибор в местах, где такие капли могут вызвать какое-либо повреждение.
- При монтаже прибора в больнице или центре связи примите во внимание шумовое и электронное воздействие. Работа таких устройств, как инверторы, бытовые приборы, высокочастотное медицинское оборудование и оборудование радиосвязи может вызвать сбой в работе кондиционера или его поломку. Кондиционер также может повлиять на работу медицинского оборудования и медицинское обслуживание, работу коммуникационного оборудования, вызывая искажение изображения на дисплее.

### 1.2. Перед установкой или перемещением

#### ⚠ Осторожно:

- Будьте чрезвычайно осторожны при транспортировке приборов. Прибор должны переносить два или более человека, поскольку он весит не менее 20 кг. Не поднимайте прибор за упаковочные ленты. Используйте защитные перчатки, поскольку можно повредить руки ребристыми деталями или другими частями прибора.
- Утилизируйте упаковочные материалы надлежащим образом. Упаковочные материалы, такие, как гвозди и другие металлические или деревянные части, могут поранить или причинить другие травмы.
- Для предотвращения конденсации необходимо обеспечить теплоизоляцию трубы хладагента. Если труба хладагента не изолирована должным образом, при работе прибора будет образовываться конденсат.

- Оберните трубы теплоизоляционным материалом для предотвращения конденсации. Если дренажная труба установлена неправильно, это может вызвать протечку воды и испортить потолок, пол, мебель или другое имущество.
- Не мойте кондиционер водой. Это может привести к поражению электрическим током.
- Затягивайте все хомуты на муфтах в соответствии со спецификациями, используя ключ с регулируемым усилием. Слишком сильно затянутый хомут муфты по прошествии некоторого времени может сломаться.

### 1.3. Перед электрическими работами

#### ⚠ Осторожно:

- Обязательно установите автоматические выключатели. В противном случае возможно поражение электрическим током.
- Используйте для электропроводки стандартные кабели, рассчитанные на соответствующую мощность. В противном случае может произойти короткое замыкание, перегрев или пожар.
- При монтаже кабелей питания не прикладывайте растгивающих усилий.

- Обязательно заземлите прибор. Отсутствие надлежащего заземления может привести к поражению электрическим током.
- Используйте автоматические выключатели (прерыватель утечки тока на землю, разъемный (плавающий предохранитель +В) и предохранитель корпуса) с указанным предельным током. Если предельный ток автоматического выключателя больше, чем необходимо, может произойти поломка или пожар.

### 1.4. Перед тестовым прогоном

#### ⚠ Осторожно:

- Включайте главный выключатель питания не позднее, чем за 12 часов до начала эксплуатации. Запуск прибора сразу после включения выключателя питания может серьезно повредить внутренние части.
- Перед началом эксплуатации проверьте, что все пульты, питатели и другие защитные части правильно установлены. Врачающиеся, нагретые или находящиеся под напряжением части могут нанести травмы.
- Не включайте кондиционер без установленного воздушного фильтра. Если воздушный фильтр не установлен, в приборе может накопиться пыль, что может привести к его поломке.

- Не прикасайтесь ни к каким выключателям влажными руками. Это может привести к поражению электрическим током.
- Не прикасайтесь к трубам с хладагентом голыми руками во время работы прибора.
- После остановки прибора обязательно подождите по крайней мере пять минут перед выключением главного выключателя питания. В противном случае возможна протечка воды или поломка прибора.

## 2. Место установки

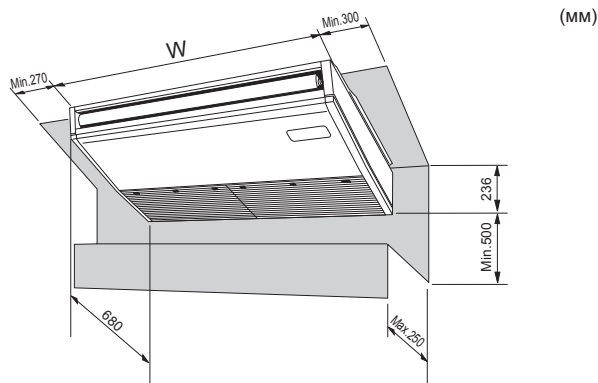


Fig. 2-1

## 3. Установка внутреннего прибора

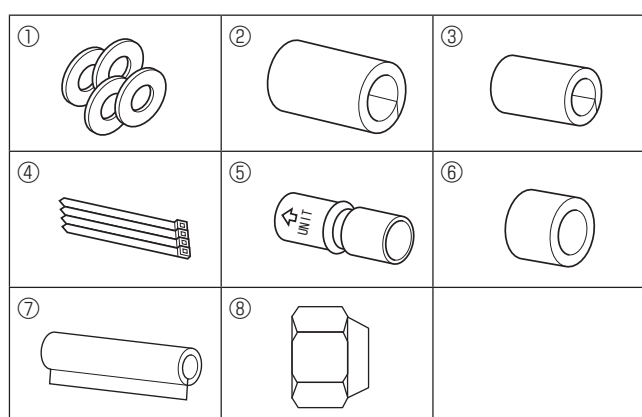


Fig. 3-1

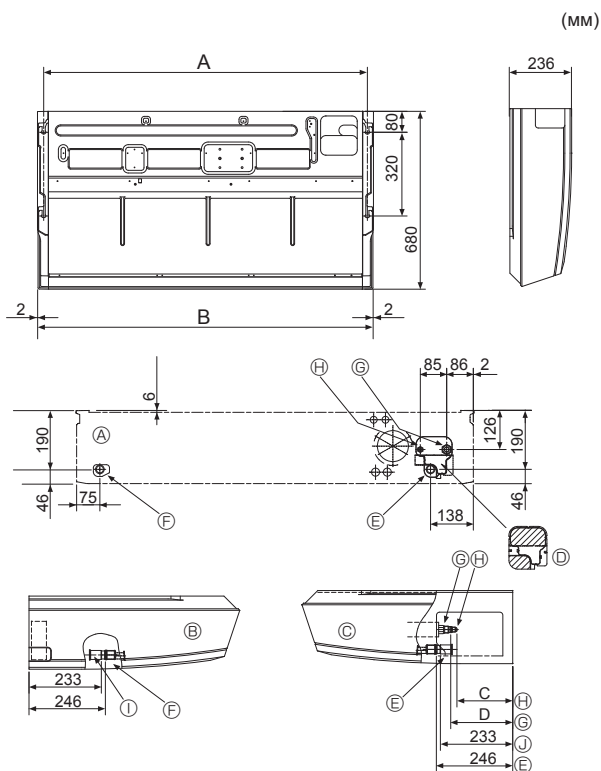


Fig. 3-2

### 2.1. Контурные габариты (Внутренний прибор) (Fig. 2-1)

Выберите надлежащее место, с учетом наличия следующего свободного пространства для установки и проведения техобслуживания.

Модели	W
RP35, 50	960
RP60, 71	1280
RP100, 125, 140	1600

#### ⚠ Предупреждение:

Подвешивайте внутренний прибор на потолок, способный выдержать вес прибора.

### 2.2. Контурные габариты (Наружный прибор)

Смотрите руководство по установке наружного прибора.

### 3.1. Проверьте наличие дополнительных принадлежностей к внутреннему прибору (Fig. 3-1)

В комплект поставки внутреннего прибора должны входить следующие дополнительные принадлежности (находящиеся внутри впускной решетки).

	Наименование принадлежности	Кол-во
①	Прокладка	4 шт.
②	Изоляция для труб	1 шт. Большой размер (для газового трубопровода)
③	Изоляция для труб	1 шт. Небольшой размер (для жидкостного трубопровода)
④	Лента	4 шт.
⑤	Соединительная муфта	1 шт. С отметкой "UNIT"
⑥	Изоляция для муфты	1 шт.
⑦	Изоляция для дренажного трубопровода	1 шт.
⑧	Гайка раструбного стыка	1 шт. $\varnothing 6,35$ (Только RP60)

### 3.2. Подготовка к установке (Fig. 3-2)

#### 3.2.1. Расстояние между навесными болтами

Модели	A	B
RP35, 50	917	960
RP60, 71	1237	1280
RP100, 125, 140	1557	1600

#### 3.2.2. Местоположение трубопровода для хладагента и дренажа

Модели	C	D
RP35, 50	184	203
RP60	179	203
RP71-140	180	200

- Ⓐ Переднее боковое выходное отверстие
- Ⓑ Левое боковое выходное отверстие
- Ⓒ Правое боковое выходное отверстие
- Ⓓ Независимая деталь (Съемная)
- Ⓔ Правый дренажный трубопровод
- Ⓕ Левый дренажный трубопровод
- Ⓖ Газовый трубопровод
- Ⓗ Жидкостный трубопровод
- Ⓘ Резиновая пробка
- Ⓝ с соединительной муфтой Ⓟ

В случае расположения трубы с задней стороны обязательно удалите заштрихованные участки с Ⓝ независимой детали. Затем верните Ⓝ независимую деталь в исходное положение. (Возможно, теплообменник засорен пылью)

### 3. Установка внутреннего прибора

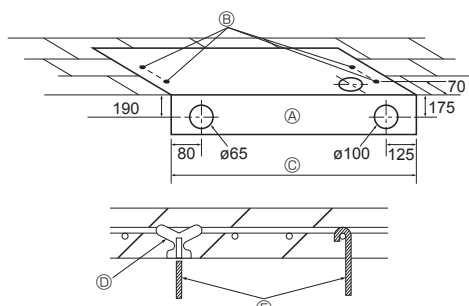


Fig. 3-3

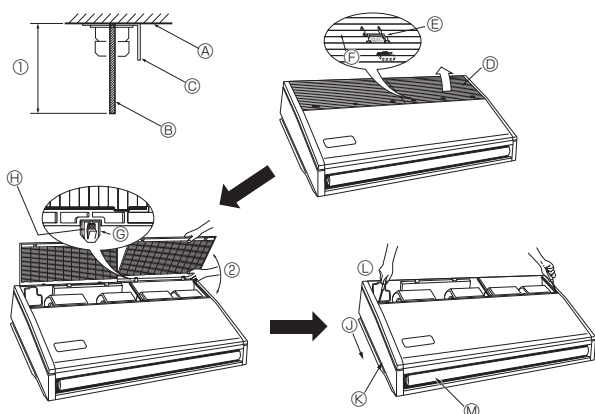


Fig. 3-4

#### 3.2.3. Выбор положения навесных болтов и трубопроводов (Fig. 3-3)

Используя бумажный шаблон для монтажа, выберите надлежащие места для навесных болтов и трубопроводов и подготовьте соответствующие отверстия.

- Ⓐ Бумажный шаблон
- Ⓑ Отверстие для навесного болта
- Ⓒ Ширина внутреннего прибора

Закрепите навесные болты или используйте угловые скобы или квадратные бруска для монтажа болтов.

- Ⓓ Используйте вставки с номиналом от 100 до 150 кг каждая.
- Ⓔ Используйте навесные болты размером W3/8 или M10

#### 3.2.4. Подготовка внутреннего прибора (Fig. 3-4)

1. Установите подвесные болты (Приобретите на месте болты размера W3/8 или M10)

Предусмотрите расстояние от потолка вниз (Ⓚ в пределах 100 мм).

Ⓐ Поверхность потолка Ⓑ Подвесной болт Ⓒ Подвесная скоба

2. Снятие воздухозаборной решетки.

Продвиньте рукоятки, удерживающие водозаборную решетку (при расположении 2 или 3) назад, чтобы открыть воздухозаборную решетку.

3. Снятие боковой панели.

Удалите винты, удерживающие боковую панель (один винт с каждой стороны, справа и слева), затем продвиньте боковую панель вперед, чтобы удалить ее.

Ⓓ Воздухозаборная решетка Ⓚ Продвиньте боковую панель вперед.

Ⓔ Рукоятка, удерживающая боковую панель

Ⓛ Удалите винты, удерживающие боковую панель.

Ⓜ Направляющая

Ⓝ Петля

Ⓞ Нажимая на петлю, вытяните воздухозаборную решетку.

Ⓟ Приложение силы для открытия воздухозаборной решетки или открытие ее под углом больше 120° может повредить петли.

### 3.3. Установка внутреннего прибора (Fig. 3-5)

Применяйте правильный метод подвешивания прибора в соответствии с тем, какой материал укреплен на потолке.

- Ⓐ Если на потолке укреплен специальный материал для закрепления прибора
- Ⓑ т.е. если на потолке не имеется специального материала
- Ⓒ Скоба для подвешивания
- Ⓓ Прибор
- Ⓒ Потолок
- Ⓓ Подвесной болт
- Ⓚ Прокладка Ⓛ
- Ⓜ Прокладка (приобретается на месте)
- Ⓝ Двойные гайки

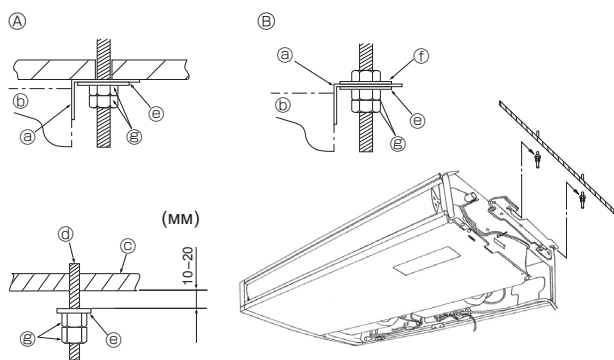


Fig. 3-5

#### 1) Непосредственное подвешивание прибора (метод непосредственного подвешивания)

Порядок установки

1. Установите шайбу Ⓛ (входит в комплект поставки прибора) и гайки (приобретается на месте).
2. Навесьте прибор на подвесные болты.
3. Затяните гайки.

Проверьте, насколько хорошо подвешен прибор.

- Проверьте, что прибор находится в горизонтальном положении между его правой и левой стороной.
- Убедитесь, что передняя и задняя части навесных скоб расположены горизонтально.

(Для сохранения дренажа прибор располагается с наклоном в сторону навесных скоб. Правильным положением установки является такое, при котором прибор имеет уклон вниз от передней части к задней.)

#### 2) Установка навесных скоб в потолке (Fig. 3-6)

Процедуры установки

1. Выньте из прибора навесные скобы и U-образные прокладки.
2. Отрегулируйте болты крепления навесных скоб на приборе.
3. Прикрепите навесные скобы к навесным болтам.
4. Убедитесь, что навесные скобы расположены горизонтально (спереди и сзади /справа и слева).
5. Наденьте (нацепите) прибор на навесные скобы.
6. Затяните Болт крепления навесных скоб.

※ Обязательно установите U-образные прокладки.

Ⓐ Болт крепления навесных скоб

Ⓑ Прибор

Ⓒ U-образная прокладка

Ⓓ Подвесной болт

Ⓚ Прокладка Ⓛ

Ⓜ Двойные гайки

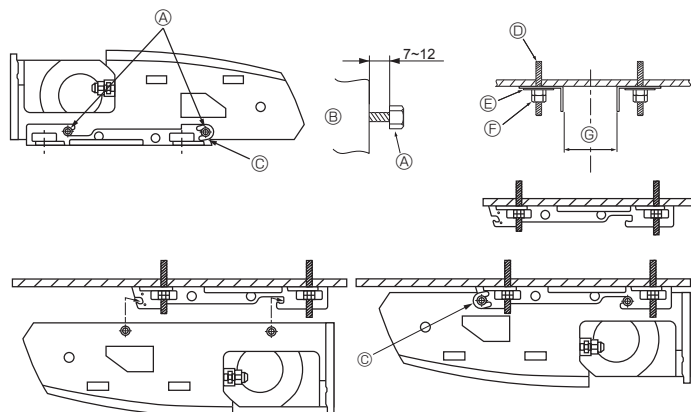


Fig. 3-6

		(MM)
Ⓒ	RP35, 50	882-887
	RP60, 71	1202-1207
	RP100-140	1522-1527

## 4. Прокладка труб хладагента

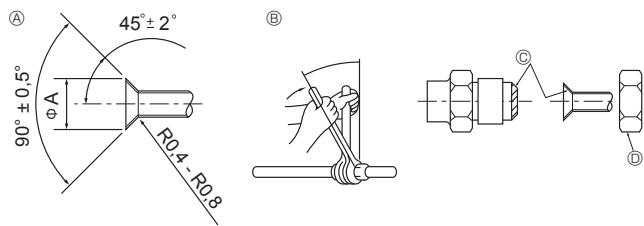


Fig. 4-1

Ⓐ Раструбный стык - размеры

Медная труба O.D. (мм)	Размеры раструба, диаметр A (мм)
φ6,35	8,7 - 9,1
φ9,52	12,8 - 13,2
φ12,7	16,2 - 16,6
φ15,88	19,3 - 19,7
φ19,05	23,6 - 24,0

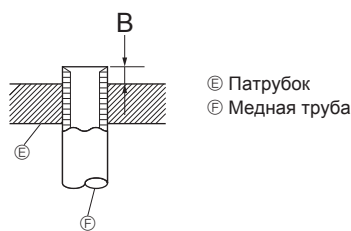


Fig. 4-2

Kupferrohr O.D. (мм)	B (мм)	
	стыка для R410A	Инструмент раструбного
φ6,35 (1/4")	0 - 0,5	
φ9,52 (3/8")	0 - 0,5	
φ12,7 (1/2")	0 - 0,5	
φ15,88 (5/8")	0 - 0,5	
φ19,05 (3/4")	0 - 0,5	

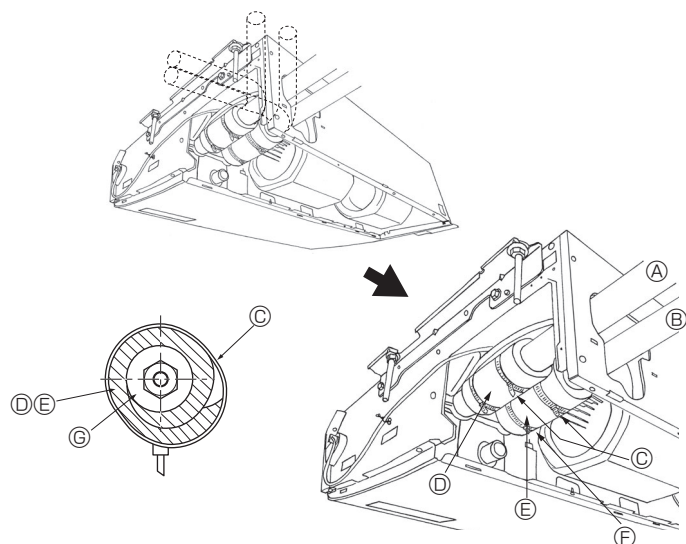


Fig. 4-3

### 4.1. Меры предосторожности

Для устройств, в которых используется хладагент R410A

- Используйте в качестве масла охлаждения для покрытия соединительных муфт масло сложного или простого эфира или алкинбензол (небольшое количество).
- Для соединения медных или медносплавных бесшовных труб, предназначенных для хладагента, используйте медный фосфор C1220. Используйте трубы для хладагента соответствующей толщины для каждого случая; значения толщины приведены в таблице ниже. Удостоверьтесь, что изнутри трубы чисты и не содержат никаких вредных загрязнителей, таких, как соединения серы, окислители, мелкий мусор или пыль.

⚠ Предупреждение:

При монтаже или перемещении, а также при обслуживании кондиционера используйте только указанный хладагент (R410A) для заполнения трубопроводов хладагента. Не смешивайте его ни с каким другим хладагентом и не допускайте наличия воздуха в трубопроводах. Наличие воздуха в трубопроводах может вызывать скачки давления, в результате которых может произойти взрыв или другие повреждения. Использование любого хладагента, отличного от указанного для этой системы, вызовет механическое повреждение, сбой в работе системы, или выход устройства из строя. В наихудшем случае, это может послужить серьезной преградой к обеспечению безопасной работы этого изделия.

	RP35, 50	RP60-140
Труба для жидкости	φ6,35 толщина 0,8 мм	φ9,52 толщина 0,8 мм
Труба для газа	φ12,7 толщина 0,8 мм	φ15,88 толщина 1,0 мм

- Не используйте трубы более тонкие, чем указано выше.

### 4.2. Соединение труб (Fig. 4-1)

- При использовании медных труб, имеющихся в продаже, оберните трубы для жидкости и газа имеющимися в продаже изоляционными материалами (с теплозащитой от 100 °C или выше, толщиной не менее 12 мм).
- Внутренняя часть дренажной трубы должна быть обернута в пенополиэтиленовый изолирующий материал (удельный вес 0,03; толщина 9 мм или более).
- Нанесите тонкий слой масла хладагента на контактную поверхность труб и соединений перед тем, как затягивать гайку с фланцем.
- Для затягивания трубных соединений используйте два гаечных ключа.
- Используйте прилагаемое трубное изоляционное покрытие для изоляции соединений внутреннего блока. Тщательно крепите изоляцию.

Ⓜ Момент затяжки гайки раструбного стыка

Медная труба O.D. (мм)	Гайка раструбного затяжки (мм)	Момент затяжки (Н·м)
φ6,35	17	14-18
φ6,35	22	34-42
φ9,52	22	34-42
φ12,7	26	49-61
φ12,7	29	68-82
φ15,88	29	68-82
φ15,88	36	100-120
φ19,05	36	100-120

Ⓜ Нанесите машинное масло охлаждения на всю поверхность области присоединения муфты.

Ⓜ Используйте надлежащие гайки раструбного стыка, подходящие к размеру трубы наружного прибора.

Имеющийся размер трубы

	RP35, 50	RP60	RP71-140
Страна жидкости	φ6,35 O	φ6,35	—
Страна газа	φ12,7 O	φ9,52 O	φ9,52 O
		φ15,88 O	φ15,88 O

Ⓜ Крепление гайки раструбного стыка к теплообменнику, выполненное на предприятии-изготовителе.

### 4.3. Внутренний прибор (Fig. 4-3)

Процедуры установки

1. Наденьте поставляемую в комплекте изоляцию для трубы ② на газовый трубопровод, чтобы она соприкасалась с листовым металлом внутри прибора.
2. Наденьте поставляемую в комплекте изоляцию для трубы ③ на жидкостный трубопровод, чтобы она соприкасалась с листовым металлом внутри прибора.
3. Затяните всю изоляцию трубопроводов ② и ③ с обоих концов (20 мм) с помощью входящих в комплект лент ④.

- Ⓐ Газовый трубопровод
- Ⓑ Жидкостный трубопровод
- Ⓒ Лента ④
- Ⓓ Изоляция для труб ②
- Ⓔ Надавите на изоляцию для труб до листового металла.
- Ⓕ Теплоизоляционный материал трубопровода для хладагента

### 4.4. Для комбинации из двух/трех элементов

Смотрите руководство по установке наружного прибора.

## 5. Дренажные трубы

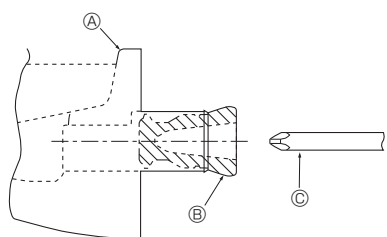


Fig. 5-1

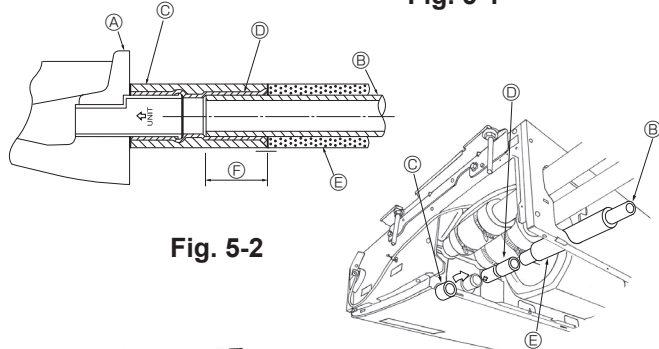


Fig. 5-2

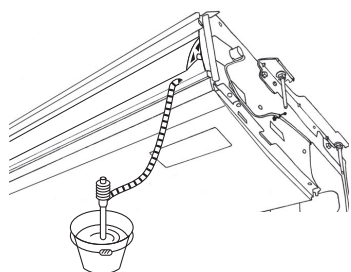


Fig. 5-3

- При установке левостороннего трубопровода обязательно вставьте резиновую пробку в правое дренажное отверстие. (Fig. 5-1)
- Используйте трубы VP-20 (O.D.  $\varnothing$ 26 PVC TUBE) для дренажа, при этом обеспечьте наклон 1/100 или более.
- По завершении работы проверьте наличие дренажа из сливного отверстия дренажного трубопровода.

- Ⓐ Дренажный поддон
- Ⓑ Пробка
- Ⓒ Вставьте отвертку и т.д. глубоко в пробку.

### Процедуры установки (Fig. 5-2)

1. Прикрепите соединительную муфту ⑤, входящую в комплект поставки прибора, к дренажному отверстию прибора с помощью винилхлоридного адгезива.
2. Прикрепите изоляцию для муфты ⑥, поставляемую в комплекте с прибором, к соединительной муфте ⑤.
3. Прикрепите установленный на месте дренажный трубопровод (VP-20) к соединительной муфте ⑤ с помощью винилхлоридного адгезива.
4. Оберните изоляцию дренажного трубопровода ⑦, входящую в комплект поставки прибора. (Шовная обмотка)

- Ⓐ Дренажный поддон
- Ⓑ Дренажный трубопровод
- Ⓒ Изоляция для муфты ⑥
- Ⓓ Соединительная муфта ⑤
- Ⓔ Изоляция для дренажного трубопровода ⑦
- Ⓕ Глубина ввода 37 мм

5. Убедитесь в правильности дренажа. (Fig. 5-3)

\* Заполните дренажный поддон примерно 1 л воды через выдувное отверстие.

## 6. Электрические работы

### 6.1. Электропроводка (Fig. 6-1)

Порядок прокладки проводки

1. Открутите самонарезающий винт ③, а затем снимите балку.
2. Удалите (2) ② самонарезающих винта, затем удалите крышку ① электрической части.
3. Соедините электропровода надежным образом с соответствующими клеммами.
4. Установите на место снятые ранее части.
5. Соедините электропровода с клеммой местных соединений, которая расположена с правой стороны соединительной коробки.

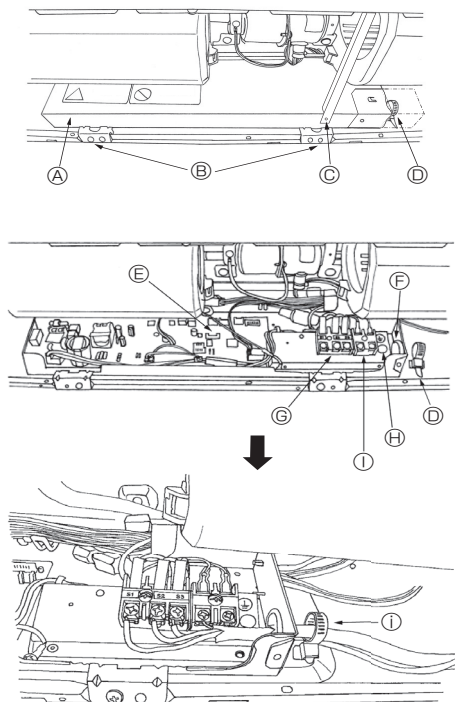


Fig. 6-1

- Ⓐ Крышка
- Ⓑ Установочные винты (2 шт.)
- Ⓒ Установочные винты (Балка)
- Ⓓ Зажим для провода
- Ⓔ Панель управления
- Ⓕ Вход для обслуживания проводов
- Ⓖ Клеммная колодка для подключения внутреннего и наружного приборов
- Ⓗ Разъем для кабеля заземления
- Ⓙ Клеммная колодка для пульта дистанционного управления
- Ⓚ Закрепите провода хомутом.

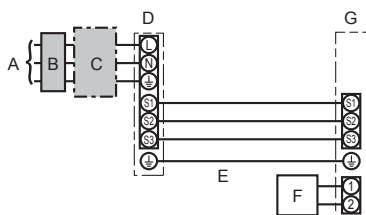
## 6. Электрические работы

### 6.1.1. Питание на внутренний прибор подается от наружного прибора

Имеются следующие шаблоны подключения.

Конструкция блока питания внешнего прибора зависит от модели.

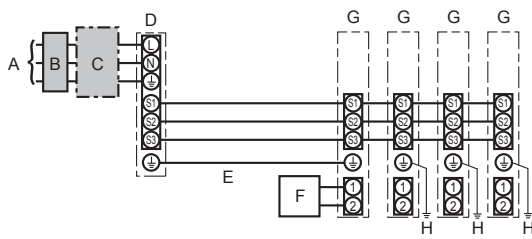
#### Система 1:1



- A Источник электропитания наружного прибора
- B Прерыватель утечки на землю
- C Прерыватель проводной цепи или изолирующий выключатель
- D Наружный прибор
- E Соединительные провода внутреннего прибора/ наружного прибора
- F Пульт дистанционного управления
- G Внутренний прибор

\* Прикрепите бирку А, прилагаемую к руководствам, около каждой схемы подключения для внутреннего и наружного приборов.

#### Одновременная двойная/тройная/четверная система



- A Источник электропитания наружного прибора
- B Прерыватель утечки на землю
- C Прерыватель проводной цепи или изолирующий выключатель
- D Наружный прибор
- E Соединительные провода внутреннего прибора/ наружного прибора
- F Пульт дистанционного управления
- G Внутренний прибор
- H Заземление внутреннего прибора

\* Прикрепите бирку А, прилагаемую к руководствам, около каждой схемы подключения для внутреннего и наружного приборов.

Модель внутреннего прибора		PCA
Электропровода Провод No x размер (мм <sup>2</sup> )	Внутренний прибор-Наружный прибор *1	3 × 1,5 (полярный)
	Заземление внутреннего/наружного прибора *1	1 × Мин. 1,5
	Заземление внутреннего прибора	1 × Мин. 1,5
Мощность цепи	Пульт дистанционного управления - Внутренний прибор *2	2 × 0,3 (неполярный)
	Внутренний прибор (Обогреватель) L-N *3	—
	Внутренний прибор-Наружный прибор S1-S2 *3	AC 230 В
	Внутренний прибор-Наружный прибор S2-S3 *3	DC24 В
	Пульт дистанционного управления - Внутренний прибор *3	DC12 В

\*1. <Для внешних приборов типов 50-140>

Макс. 45 м

Если используется 2,5 мм<sup>2</sup>, макс. 50 м

Если используется 2,5 мм<sup>2</sup> и отдельный S3, макс. 80 м

<Для внешнего прибора типа 200/250>

Макс. 18 м

Если используется 2,5 мм<sup>2</sup>, макс. 30 м

Если используется 4 мм<sup>2</sup> и отдельный S3, макс. 50 м

Если используется 6 мм<sup>2</sup> и отдельный S3, макс. 80 м

\*2. К аксессуару пульта дистанционного управления прилагается провод 10 м. Макс. 500 м

\*3. Величины НЕ всегда измерены относительно земли.

Разница потенциалов выводов S3 и S2 составляет 24 В постоянного тока. Между выводами S3 и S1 нет электрической изоляции с помощью трансформатора или другого устройства.

**Примечания:** 1. Диаметр проводов должен соответствовать применимым местным и национальным нормам.

2. Силовые кабели и кабели соединения Внутреннего/Наружного прибора не должны быть легче экранированного гибкого провода из полихлоропрена (модель 60245 IEC 57).

3. Длина устанавливаемого кабеля заземления должна превышать длину других кабелей.

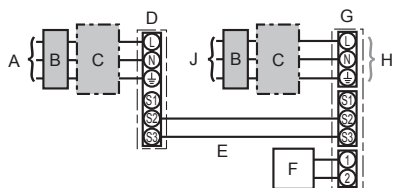
### 6.1.2. Отдельные источники электропитания для внутреннего прибора/наружного прибора (Только для применения PUNZ)

Имеются следующие шаблоны подключения.

Конструкция блока питания внешнего прибора зависит от модели.

#### Система 1:1

\* Требуется комплект клемм источника электропитания внутреннего прибора.



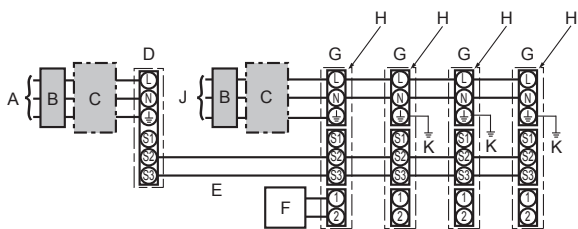
- A Источник электропитания наружного прибора
- B Прерыватель утечки на землю
- C Прерыватель проводной цепи или изолирующий выключатель
- D Наружный прибор
- E Соединительные провода внутреннего прибора/ наружного прибора
- F Пульт дистанционного управления
- G Внутренний прибор
- H Дополнительно
- J Источник электропитания внутреннего прибора

\* Прикрепите бирку В, прилагаемую к руководствам, около каждой схемы подключения для внутреннего и наружного приборов.

## 6. Электрические работы

### Одновременная двойная/тройная/четверная система

\* Требуется комплекты клемм источника электропитания внутреннего прибора.



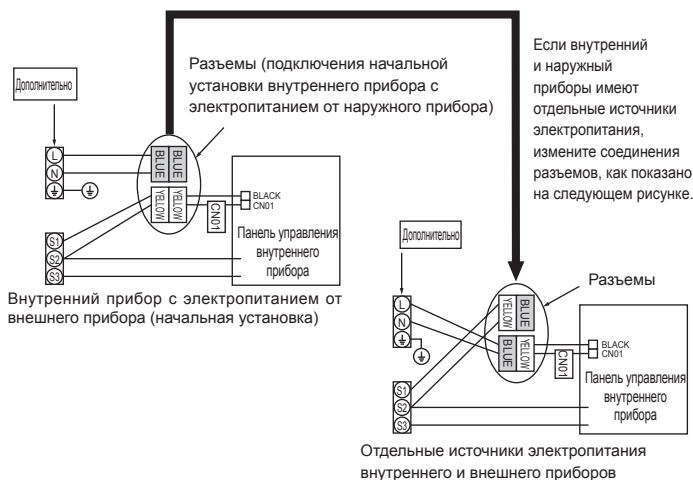
- A Источник электропитания наружного прибора
- B Прерыватель утечки на землю
- C Прерыватель проводной цепи или изолирующий выключатель
- D Наружный прибор
- E Соединительные провода внутреннего прибора/ наружного прибора
- F Пульт дистанционного управления
- G Внутренний прибор
- H Дополнительно
- J Источник электропитания внутреннего прибора
- K Заземление внутреннего прибора

\* Прикрепите бирку В, прилагаемую к руководствам, около каждой схемы подключения для внутреннего и наружного приборов.

Если у внутреннего и наружного приборов различные источники электропитания, см. таблицу ниже. При использовании комплекта клемм источника электропитания внутреннего прибора замените проводку распределительной коробки внутреннего прибора в соответствии с рисунком справа и измените настройки микропереключателя панели управления наружного прибора.

	Спецификации внутреннего прибора								
Комплект клемм источника электропитания внутреннего прибора (дополнительно)	Требуется								
Изменение соединения разъема распределительной коробки внутреннего прибора	Требуется								
Бирка, прикрепленная около каждой схемы подключения для внутреннего и наружного приборов	Требуется								
Настройка микропереключателя наружного прибора (только при использовании отдельных источников электропитания для внутреннего прибора/наружного прибора)	<table border="1" style="display: inline-table;"> <tr> <td>ON</td> <td></td> <td></td> <td style="border: 2px solid black;">3</td> </tr> <tr> <td>OFF</td> <td>1</td> <td>2</td> <td></td> </tr> </table> (SW8) Установите переключатель SW8-3 в положение ON (ВКЛ.).	ON			3	OFF	1	2	
ON			3						
OFF	1	2							

\* Имеется три типа бирок (бирки А, В и С). Прикрепите соответствующие бирки к блокам в соответствии с методом подключения проводки.



Модель внутреннего прибора	PCA	
Электропитание внутреннего прибора	~/N (однофазный), 50 Hz, 230 В	
Входная мощность внутреннего прибора Главный выключатель (Прерыватель)	*1	16 А
Электропровода Провод № x размер (мм²)	Электропитание внутреннего прибора & Заземление питания внутреннего прибора	3 x Мин. 1,5
	Внутренний прибор-Наружный прибор	*2 2 x Мин. 0,3
	Заземление внутреннего/наружного прибора	-
Мощность Цели	Пульт дистанционного управления - Внутренний прибор	*3 2 x 0,3 (неполярный)
	Внутренний прибор L-N	*4 AC 230 В
	Внутренний прибор-Наружный прибор S1-S2	*4 -
	Внутренний прибор-Наружный прибор S2-S3	*4 DC24 В
Пульт дистанционного управления - Внутренний прибор	*4	DC12 В

\*1. Используйте выключатель тока утечки на землю (NV) с расстоянием между контактами по крайней мере 3,0 мм для каждого полюса. Для отключения всех активных фазовых проводов электропитания необходимо установить прерыватель.

\*2. Макс. 120 м

\*3. К аксессуару пульта дистанционного управления прилагается провод 10 м. Макс. 500 м

\*4. Величины НЕ всегда измерены относительно земли.

**Примечания:** 1. Диаметр проводов должен соответствовать применимым местным и национальным нормам.

2. Силовые кабели и кабели соединения Внутреннего/Наружного прибора не должны быть легче экранированного гибкого провода из полихлоропрена (модель 60245 IEC 57).

3. Длина устанавливаемого кабеля заземления должна превышать длину других кабелей.

#### ⚠ Предупреждение:

Никогда не подсоединяйте внахлест силовой кабель или соединительный кабель внешнего питания. Это может привести к задымлению, возгоранию или неисправности.

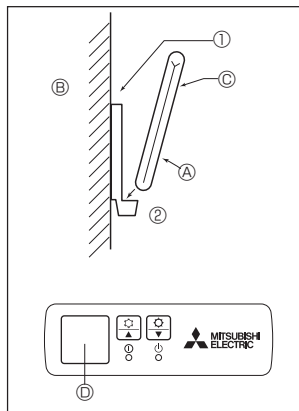


Fig. 6-2

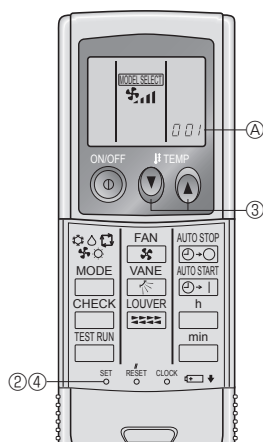


Fig. 6-3

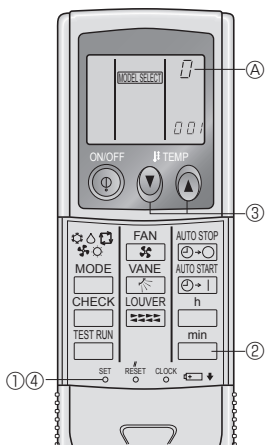


Fig. 6-4

### 6.2. Пульт дистанционного управления

#### 6.2.1. Для проводного пульта дистанционного управления

##### 1) Настройка двух пультов дистанционного управления

Если подключены два пульта дистанционного управления, настройте один как "Main" (Главный), а другой - как "Sub" (Подчиненный). Процедуры настройки приводятся в разделе "Выбор функций пульта дистанционного управления" в руководстве по эксплуатации внутреннего прибора.

#### 6.2.2. Для беспроводного пульта дистанционного управления

##### 1) Места установки

- Места, в которых пульт дистанционного управления не подвержен воздействию прямых солнечных лучей.
- Места, удаленные от источников тепла
- Места, в которых пульт дистанционного управления не подвержен воздействию холодного (или теплого) ветра.
- Места, максимально удобные для использования пульта дистанционного управления.
- Места, в которых пульт дистанционного управления недосягаем для детей.

##### 2) Метод установки (Fig. 6-2)

- 1) Закрепите держатель пульта дистанционного управления в выбранном Вами месте с помощью двух самонарезающих винтов.
  - 2) Вставьте низ пульта в держатель.
    - Ⓐ Пульт дистанционного управления Ⓑ Стена Ⓒ Индикаторная панель Ⓓ Ресивер сигналов
- Сигнал передается на расстояние приблизительно в 7 м (по прямой линии) в диапазоне в 45 градусов слева и справа от центральной оси приема сигналов ресивером.

##### 3) Настройка (Fig. 6-3)

- 1) Вставьте батарейки.
- 2) Нажмите кнопку SET остроконечным предметом.  
На дисплее замигает индикация **MODEL SELECT** и высветится No. модели.
- 3) Нажмите кнопку temp **Ⓒ** **Ⓓ**, чтобы настроить No. модели.  
При неправильном выборе операции нажмите кнопку ON/OFF **Ⓐ** (ВКЛ./ВЫКЛ.) и вновь начните выполнение операции с пункта 3).
- 4) Нажмите кнопку SET остроконечным предметом.  
На дисплее на три секунды загорится индикация **MODEL SELECT** и No. Модели, которая затем погаснет.

Внутренний	Наружный	Ⓓ No. модели
PCA	PUH, PUNZ, SUZ	001
	PU	033

##### 4) Приписывание пульта дистанционного управления отдельным приборам (Fig. 6-4)

Каждый отдельный прибор может управляться только специально приписанным для него пультом дистанционного управления. Убедитесь в том, что каждая пара печатной платы и пульта дистанционного управления приписана идентичному No. пары.

##### 5) Процедура настройки номера пары пульта дистанционного управления

- 1) Нажмите кнопку SET остроконечным предметом.  
Начните процедуру настройки с остановленным дисплеем пульта дистанционного управления.  
На дисплее замигает индикация **MODEL SELECT** и высветится No. модели.
- 2) Дважды нажмите кнопку **min**.  
На дисплее замигает No. "0".
- 3) Нажмите кнопку temp **Ⓒ** **Ⓓ**, чтобы ввести желаемую номер пары.  
При неправильном выборе операции нажмите кнопку ON/OFF **Ⓐ** и вновь начните выполнение операции с пункта 2).
- 4) Нажмите кнопку SET остроконечным предметом.  
На дисплее на три секунды загорится индикация настроенного номера пары, которая затем погаснет.

Ⓓ Номер пары пульта дистанционного управления	Печатная плата внутреннего блока
0	Заводская установка
1	разомкнуть J41
2	разомкнуть J42
3-9	разомкнуть J41, J42



## 6. Электрические работы

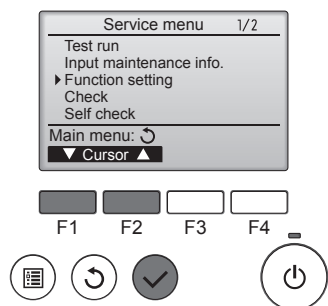


Fig. 6-5

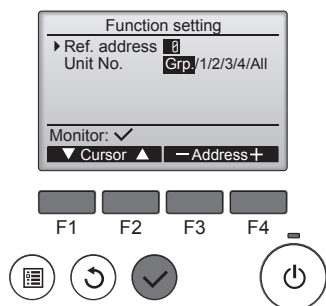


Fig. 6-6

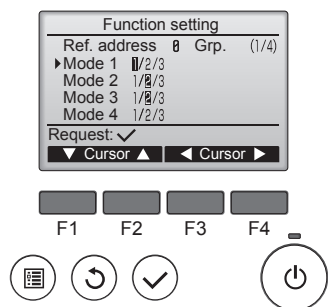


Fig. 6-7

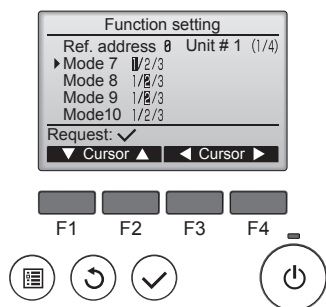


Fig. 6-8

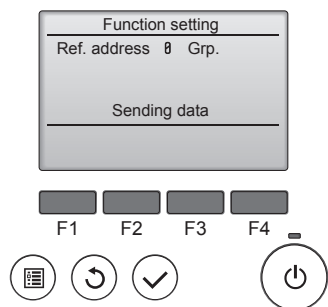


Fig. 6-9

### 6.3. Установки функций

#### 6.3.1. Функциональная настройка прибора (Выбор функций прибора)

##### 1) Для проводного пульта дистанционного управления

① (Fig. 6-5)

- Выберите в Главном меню пункт “Service” (Сервисное обслуживание) и нажмите кнопку [ВЫБОР].
- С помощью кнопки [F1] или [F2] выберите пункт “Function settings” (Настройка функций) и нажмите кнопку [ВЫБОР].

② (Fig. 6-6)

- Установите адреса блоков охлаждения внутренних блоков и номера блоков с помощью кнопок [F1]–[F4], а затем нажмите кнопку [ВЫБОР], чтобы подтвердить настройки.

##### <Проверка внутреннего блока №.>

Когда будет нажата кнопка [ВЫБОР], запустится вентилятор соответствующего внутреннего блока. Если работает один общий блок или когда работают все блоки, на всех внутренних блоках для выбранного адреса хладагента будут запущены вентиляторы.

③ (Fig. 6-7)

- После завершения сбора данных внутренних блоков текущие настройки будут отмечены подсветкой. Не подсвеченные пункты указывают, что настройки функций выполнены не были. Вид экрана зависит от параметра “Устр. №”.

④ (Fig. 6-8)

- С помощью кнопок [F1] и [F2] переместите курсор для выбора номера режима и измените номер кнопкой [F3] или [F4].

⑤ (Fig. 6-9)

- После завершения настройки нажмите кнопку [ВЫБОР], чтобы отправить выбранные значения из контроллера дистанционного управления во внутренние блоки.
- После успешного завершения передачи повторно откроется экран Настройка функций.

## 6. Электрические работы

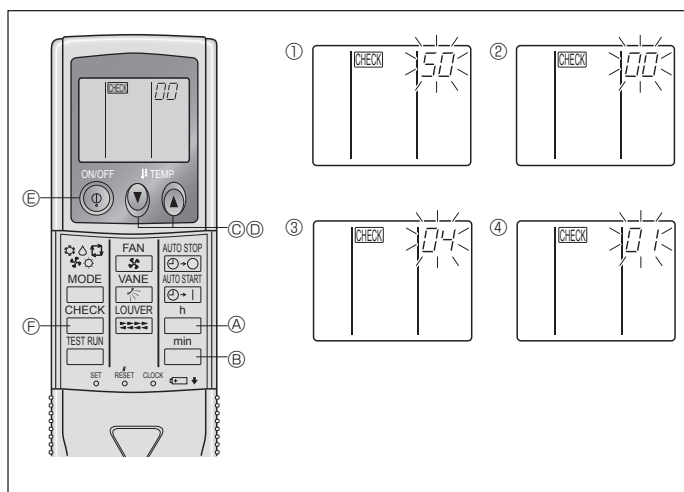


Fig. 6-10

### 2) Для беспроводного пульта дистанционного управления (Fig. 6-10)

Изменение настройки напряжения в сети электропитания

- Обязательно измените настройку напряжения в зависимости от напряжения в используемой сети электропитания.

#### ① Перейдите в режим выбора функции

Дважды нажмите кнопку **CHECK** (F).

(Начните процедуру настройки с остановленным дисплеем пульта дистанционного управления.)

На дисплее высветится индикация **CHECK** и замигает "00".

Однократным нажатием кнопки temp (C) выполните настройку на "50". Направьте беспроводной пульт дистанционного управления на ресивер сигналов внутреннего прибора и нажмите кнопку **h** (A).

#### ② Настройка номера прибора

Нажатием кнопки temp (C) и (D) установите номер прибора на "00". Направьте беспроводной пульт дистанционного управления на ресивер сигналов внутреннего прибора и нажмите кнопку **min** (E).

#### ③ Выбор режима

Кнопками (C) (D) и (E) введите 04 для изменения настройки в сети электропитания. Направьте беспроводной пульт дистанционного управления на ресивер сигналов внутреннего прибора и нажмите кнопку **h** (A).

Текущий номер настройки: 1 = 1 тональный сигнал (одна секунда)

2 = 2 тональных сигнала (каждый по одной секунде)

3 = 3 тональных сигнала (каждый по одной секунде)

#### ④ Выбор номера настройки

Кнопками (C) (D) и (E) измените настройку напряжения сети электропитания на 01 (240 В).

Направьте беспроводной пульт дистанционного управления на датчик внутреннего прибора и нажмите кнопку **h** (A).

#### ⑤ Для многократного выбора различных функций

Повторите шаги ③ и ④, чтобы многократно изменить различные настройки функций.

#### ⑥ Завершите выбор функции

Направьте беспроводной пульт дистанционного управления на датчик внутреннего прибора и нажмите кнопку (C).

**Примечание: О любых изменениях настроек функций, внесенных после установки или после проведения техобслуживания, делайте соответствующую запись в таблице функций и пометку в колонке "Установка".**

### 6.3.2. Функциональная настройка на пульте дистанционного управления

См. руководство по эксплуатации внутреннего прибора.

#### Таблица функций

Выберите номер прибора 00

Режим	Установки	Номер режима	Номер установки	Первоначальная настройка	установка
Автоматическое восстановление после сбоя питания	Отсутствует	01	1		
	Имеется *		2	○	
Определение температуры в помещении	Средняя величина при работе внутреннего прибора	02	1	○	
	Устанавливается с пульта дистанционного управления внутреннего прибора		2		
	Внутренний датчик пульта дистанционного управления		3		
Подсоединяемость LOSSNAY	Не поддерживается	03	1	○	
	Поддерживается (внутренний прибор не оборудован механизмом всасывания наружного воздуха)		2		
	Поддерживается (внутренний прибор оборудован механизмом всасывания наружного воздуха)		3		
Напряжение в сети электропитания	240 В	04	1		
	220 В, 230 В		2	○	

Выберите номера прибора от 01 до 03 или все приборы (AL [проводной пульт дистанционного управления] / 07 [беспроводной пульт дистанционного управления])

Режим	Установки	Номер режима	Номер установки	Первоначальная настройка	установка
Знак фильтра	100 часов	07	1		
	2500 часов		2	○	
	Нет индикатора знака фильтра		3		
Скорость вентилятора	Бесшумный	08	1		
	Стандартный		2	○	
	Высокая		3		
Установка заслонки вверх/вниз	Нет заслонок	11	1		
	Оборудован заслонками (Настройка угла заслонки ①)		2	○	
	Оборудован заслонками (Настройка угла заслонки ②)		3		

\* При возобновлении подачи электропитания кондиционер запустится через 3 минуты.

## 7. Выполнение испытания

### 7.1. Перед пробным прогоном

- ▶ После завершения установки, прокладки труб и электропроводки внутреннего и наружного приборов проверьте отсутствие утечки хладагента, слабых соединений кабеля питания или проводов управления и неправильной полярности, а также убедитесь, что все фазы питания подключены.
  - ▶ Измерьте сопротивление между терминалами источника электропитания и заземлением с использованием 500-вольтного меггера и убедитесь, что сопротивление составляет не менее 1 МΩ.
  - ▶ Запрещается выполнять этот замер на терминалах проводах управления (цепь низкого напряжения).
- ⚠ Предупреждение:**  
Не пользуйтесь кондиционером воздуха, если сопротивление изоляции ниже 1 МΩ.

### 7.2. Выполнение испытания

#### 7.2.1. Использование проводного пульта дистанционного управления.

- Перед пробным пуском внимательно прочтите руководство по эксплуатации. (Особенно это касается указаний по безопасности)

#### Шаг 1 Включите питание.

- Пульт дистанционного управления: система переходит в режим запуска, индикатор питания (зеленый) пульта дистанционного управления начинает мигать и отображается сообщение "PLEASE WAIT (Ждите)". В этот момент пульт дистанционного управления недоступен для операций. Перед использованием пульта дистанционного управления дождитесь удаления с дисплея сообщения "PLEASE WAIT (Ждите)". Сообщение "PLEASE WAIT (Ждите)" отображается в течение приблизительно 2 минут после включения питания.
- Плата управления внутреннего блока: индикатор 1 загорается, индикатор 2 загорается (если адрес равен 0) или гаснет (если адрес не равен 0), индикатор 3 мигает.
- Плата управления наружного блока: индикатор 1 (зеленый) и индикатор 2 (красный) загораются. (После завершения процедуры запуска системы индикатор 2 гаснет.) Если на плате управления наружного блока используется цифровой дисплей, каждую секунду попеременно отображаются символы [- ] и [ - ]. Если после выполнения процедур в шаге 2 и после него операции не выполняются надлежащим образом, проверьте и устраните следующие проблемы. (Симптомы, описанные ниже, могут проявляться в режиме пробного пуска. "Startup (Запуск)" в таблице обозначается индикацией, описанной выше.)

Симптомы в режиме пробного пуска		Причина
Дисплей пульта дистанционного управления	Индикация ПЛАТЫ НАРУЖНОГО БЛОКА < > обозначает цифровой дисплей.	
На пульте дистанционного управления отображается сообщение "PLEASE WAIT (Ждите)", пульт для операций недоступен.	После отображения сообщения "Startup (Запуск)" загорается только зеленый индикатор. <00>	• После включения питания в течение 2 минут во время запуска системы на дисплее будет отображаться сообщение "PLEASE WAIT (Ждите)". (Нормальный режим)
После включения питания в течение 3 минут отображается сообщение "PLEASE WAIT (Ждите)", затем отображается код ошибки.	После отображения сообщения "Startup (Запуск)" попеременно вспыхивают однократно зеленый и однократно красный индикаторы. <F1>	• Неверное подключение к клеммной колодке наружного блока (R, S, T и S <sub>1</sub> , S <sub>2</sub> , S <sub>3</sub> .)
	После отображения сообщения "Startup (Запуск)" попеременно вспыхивают однократно зеленый и дважды красный индикаторы. <F3, F5, F9>	• Разомкнут контакт защитного устройства наружного блока.
Дисплей не загорается даже при включении питания на пульте дистанционного управления. (Не загорается индикатор работы.)	После отображения сообщения "Startup (Запуск)" попеременно вспыхивают дважды зеленый и однократно красный индикаторы. <EA, Eb>	• Неверное подключение проводов между внутренним и наружным блоками (неверная полярность подключения S <sub>1</sub> , S <sub>2</sub> , S <sub>3</sub> ).
	После отображения сообщения "Startup (Запуск)" загорается только зеленый индикатор. <00>	• Провод передачи данных пульта дистанционного управления закорочен. • Отсутствует наружный блок с адресом 0. (Адрес не равен 0.) • Разомкнут провод передачи данных пульта дистанционного управления.
Дисплей загорается, но вскоре гаснет даже при работе с пультом дистанционного управления.	После отображения сообщения "Startup (Запуск)" загорается только зеленый индикатор. <00>	• После отмены выбора функции, операции недоступны в течение 30 секунд. (Нормальный режим)

#### Шаг 2 Включите на пульте дистанционного управления режим "Test run" (Пробный пуск).

- 1 Выберите режим "Test run" (Пробный пуск) в Сервисном меню и нажмите кнопку [ВЫБОР]. (Fig. 7-1)
- 2 Выберите режим "Test run" (Пробный пуск) в Меню пробного пуска и нажмите кнопку [ВЫБОР]. (Fig. 7-2)
- 3 Запускается режим "Пробный пуск" и отображается экран пробного пуска.

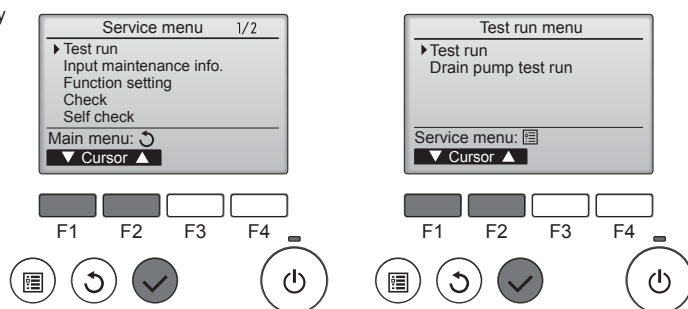


Fig. 7-1

Fig. 7-2

#### Шаг 3 Выполните пробный пуск и проверьте температуру воздушного потока и автоматическую работу жалюзи.

- 1 Для изменения режима работы нажмите кнопку [F1]. (Fig. 7-3)  
Режим охлаждения: убедитесь, что из блока поступает охлажденный воздух.  
Режим нагрева: убедитесь, что из блока поступает нагретый воздух.
- 2 Нажмите кнопку [ВЫБОР] для отображения экрана работы жалюзи, затем нажмите кнопку [F1] и [F2] для проверки автоматического режима работы жалюзи. (Fig. 7-4)  
Нажмите кнопку [ВОЗВРАТ] для возврата к экрану пробного пуска.

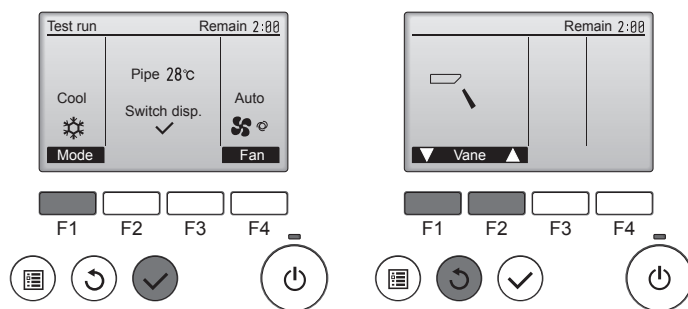


Fig. 7-3

Fig. 7-4

#### Шаг 4 Проверка работы вентилятора наружного блока.

Скорость вращения вентилятора наружного блока регулируется для управления работой устройства. В зависимости от атмосферных условий вентилятор вращается с низкой скоростью, пока этого будет достаточно для нормальной работы. Наружный ветер может привести к остановке вентилятора или его вращению в обратном направлении, однако это не является проблемой.

## 7. Выполнение испытания

### Шаг 5 Остановка пробного пуска.

① Для остановки пробного пуска нажмите кнопку [ВКЛ/ВЫКЛ]. (Отображается меню Пробного пуска.)

Примечание. Если на дисплее отображается код ошибки, см. таблицу ниже.

ЖК-дисплей	Описание сбоя	ЖК-дисплей	Описание сбоя	ЖК-дисплей	Описание сбоя
P1	Ошибка датчика впуска	P9	Ошибка датчика трубопровода (двойной трубопровод)	E0 ~ E5	Ошибка связи между пультом дистанционного управления и внутренним блоком
P2	Ошибка датчика трубопровода (трубопровод для жидкости)	PA	Ошибка протечки (система хладагента)		
P4	Разъединен контакт переключателя дренажного слива (CN4F)	PL	Ненадлежащее функционирование контура хладагента		
P5	Защита от переполнения дренажной системы	FB	Ошибка платы управления внутреннего блока	E6 ~ EF	Ошибка связи между внутренним и наружным блоками
P6	Защита системы охлаждения/нагревания	U*, F* (* обозначение буквенно-цифрового символа, кроме FB.)	Нарушение работы наружного блока. См. схему соединений наружного блока.		
P8	Ошибка температуры трубопровода				

Описание индикаторов дисплея см. в таблице ниже (индикаторы 1, 2 и 3) на плате управления внутреннего блока.

Индикатор 1 (питание микрокомпьютера)	Индикатор подачи питания. Этот индикатор должен гореть постоянно.
Индикатор 2 (питание пульта дистанционного управления)	Указывает, подается ли питание на проводной пульт дистанционного управления. Данный индикатор загорается только для внутреннего блока, подключенного к наружному блоку и имеющего адрес 0.
Индикатор 3 (связь внутреннего/наружного блоков)	Указывает на связь между внутренним и наружным блоками. Этот индикатор должен постоянно мигать.

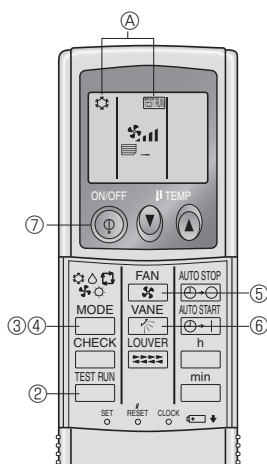


Fig. 7-5

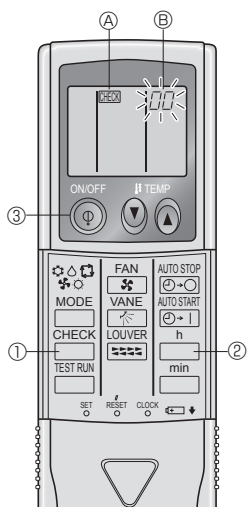


Fig. 7-6

### 7.2.2. Использование беспроводного пульта дистанционного управления (Fig. 7-5)

- Включите питание блока по крайней мере за 12 часов до начала испытаний.
- Дважды нажмите кнопку . (Начните данную операцию с выключенным дисплеем пульта дистанционного управления.)
  - На дисплее появится индикация и индикация текущего режима работы.
- Нажмите кнопку (), чтобы активизировать режим , затем проверьте исправность выдува холодного воздуха из прибора.
- Нажмите кнопку (), чтобы активизировать режим , затем проверьте исправность выдува холодного воздуха из прибора.
- Нажмите кнопку и проверьте, изменяется ли скорость вращения вентилятора.
- Нажмите кнопку и проверьте исправность работы автоматических заслонок.
- Для остановки пробного прогона нажмите кнопку ON/OFF (ВКЛ./ВЫКЛ.).

#### Примечание:

- При выполнении операций с ② по ⑦ направьте пульт дистанционного управления на ресивер сигналов внутреннего прибора.
- В режимах FAN, DRY или AUTO выполнение пробного прогона невозможно.

### 7.2.3. Использование SW4 в наружном блоке

Смотрите руководство по установке наружного прибора.

## 7.3. Самодиагностика

### 7.3.1. Для проводного пульта дистанционного управления

■ Подробное описание см. в руководстве по установке, прилагаемого к пульту дистанционного управления.

- Дважды нажмите кнопку [CHECK].
- С помощью кнопки [TEMP] установите адрес системы охлаждения (если используется системный пульт управления).
- Нажмите кнопку [ON/OFF] для прекращения самопроверки.
  - А Кнопка CHECK
  - Б Адрес системы охлаждения
  - В Кнопка TEMP
  - Г IC: внутренний блок  
OC: наружный блок
  - Д Код проверки
  - Е Адрес блока

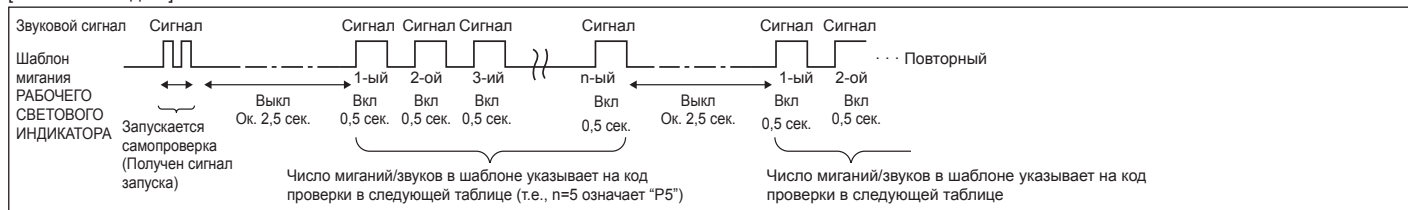
### 7.3.2. Для беспроводного пульта дистанционного управления (Fig. 7-6)

- Включите питание.
- Дважды нажмите кнопку . (Начните данную операцию с выключенным дисплеем пульта дистанционного управления.)
  - Загорится индикация .
  - Начнет мигать индикация "00".
- Направив пульт дистанционного управления на ресивер сигналов на приборе, нажмите кнопку . Значение кода проверки будет соответствовать количеству звуковых сигналов зуммера из сектора ресивера и количеству миганий лампочки работы прибора.
- Для остановки самопроверки нажмите кнопку ON/OFF (ВКЛ./ВЫКЛ.).

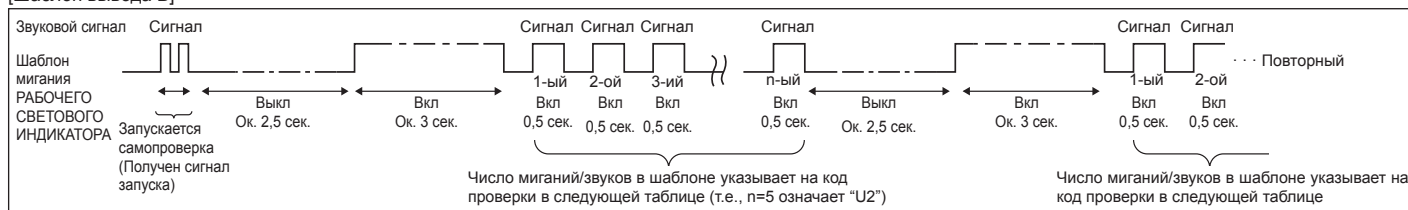
## 7. Выполнение испытания

• Дополнительные сведения по кодам проверки приводятся в следующих таблицах. (беспроводного пульта дистанционного управления)

[Шаблон вывода А]



[Шаблон вывода В]



[Шаблон вывода А] Ошибки, обнаруженные внутренним прибором

беспроводного пульта дистанционного управления	Проводного пульта дистанционного управления	Признак	Примечание
Звучит сигнал/мигает РАБОЧИЙ СВЕТООВОЙ ИНДИКАТОР (Число раз)	Код проверки		
1	P1	Ошибка впускного датчика	
2	P2	Ошибка датчика трубы (ТН2)	
	P9	Ошибка датчика трубы (ТН5)	
3	E6, E7	Ошибка связи между внутренним/наружным прибором	
4	P4	Разъем поплавкового выключателя разомкнут	
5	P5	Ошибка дренажного насоса	
	PA	Усиленный компрессора Выкл. (Вода утечки)	
6	P6	Работа в режиме защиты от обледенения/перегрева	
7	EE	Ошибка связи между внутренним и наружным приборами	
8	P8	Ошибка температуры трубы	
9	E4	Ошибка получения сигнала пульта дистанционного управления	
10	—	—	
11	—	—	
12	Fb	Ошибка системы управления внутренним прибором (ошибка памяти и т.д.)	
14	PL	Ненадлежащее функционирование контура хладагента	
Нет звука	E0, E3	Ошибка передачи пульта дистанционного управления	
Нет звука	E1, E2	Ошибка платы управления пульта дистанционного управления	
Нет звука	— — — —	Не соответствует	

## 7. Выполнение испытания

[Шаблон вывода В] Ошибки, обнаруженные прибором, кроме внутреннего прибора (наружный прибор и т.д.)

беспроводного пульта дистанционного управления	Проводного пульта дистанционного управления	Признак	Примечание
Звучит сигнал/мигает РАБОЧИЙ СВЕТОВОЙ ИНДИКАТОР (Число раз)	Код проверки		
1	E9	Ошибка связи внутреннего/наружного прибора (Ошибка передачи) (Наружный прибор)	Подробнее см. ЖК-дисплей платы наружного контроллера.
2	UP	Прерывание компрессора по перегрузке по току	
3	U3, U4	Размыкание/короткое замыкание термисторов наружного прибора	
4	UF	Прерывание компрессора по перегрузке по току (Когда компрессор заблокирован)	
5	U2	Ненормально высокая температура нагнетания/49C сработало/недостаточно хладагента	
6	U1, Ud	Ненормально высокое давление (б3Н сработало)/Работа в режиме защиты от перегрева	
7	U5	Ненормальная температура теплоотвода	
8	U8	Аварийный останов вентилятора наружного прибора	
9	U6	Прерывание компрессора по перегрузке по току/Неисправность в модуле электропитания	
10	U7	Ненормально высокое тепло ой причине низкой температуры нагнетания	
11	U9, UH	Неисправность, например, перенапряжение или недостаток напряжения и н енормальный синхронный сигнал к главной цепи/Ошибка датчика тока	
12	—	—	
13	—	—	
14	Прочее	Другие ошибки (См. техническое руководство наружного прибора.)	

\*1 Если звуковой сигнал не прозвучит снова после первоначальных двух сигналов подтверждения приема сигнала для запуска самопроверки и РАБОЧИЙ СВЕТОВОЙ ИНДИКАТОР не загорится, записей об ошибках нет.

\*2 Если звуковой сигнал прозвучит три раза подряд “бип, бип, бип (0,4 + 0,4 + 0,4 сек.)” после первоначальных двух сигналов подтверждения приема сигнала для запуска самопроверки, указанный адрес хладагента неправильный.

- На беспроводном пульте дистанционного управления  
Непрерывные звонки зуммера с области приема сигналов на внутреннем приборе.  
Мигание лампочки работы
- На проводном пульте дистанционного управления  
Проверьте код, отображенный на ЖК-дисплее.

- Если прибор не работает должным образом после проведения пробного прогона, устраните неисправность, обратившись к нижеприведенной таблице.

Симптом		Причина
Проводной пульт дистанционного управления	СИД 1, 2 (печатная плата на наружном приборе)	
PLEASE WAIT	В течение приблизительно 2 минут после включения питания.	После загорания СИД 1, 2, СИД 2 выключается, горит только СИД 1. (Правильная работа)
PLEASE WAIT →Код ошибки	По истечении приблизительно 2 минут после включения питания.	Горит только СИД 1. →СИД 1, 2 мигают.
Сообщения об ошибках не выводятся на дисплей, даже если выключатель работы находится в положении ON (Вкл.) (не горит лампочка работы).		Горит только СИД →СИД 1 мигает дважды, СИД 2 мигает один раз.
		<ul style="list-style-type: none"> <li>• В течение приблизительно 2 минут после включения питания работа пульта дистанционного управления невозможна вследствие запуска системы. (Правильная работа)</li> <li>• Не подсоединен соединитель защитного устройства наружного прибора.. Обратное подсоединение фаз или неполнофазный режим электропроводки на блоке терминалов питания наружного прибора (L1, L2, L3).</li> <li>• Неправильная электропроводка между внутренним и наружным приборами (неправильная полярность S1, S2, S3)</li> <li>• Короткое замыкание провода пульта дистанционного управления</li> </ul>

В вышеописанном состоянии беспроводного пульта дистанционного управления наблюдаются следующие явления.

- Сигналы с пульта дистанционного управления не принимаются.
- Мигает лампочка работы.
- Зуммер издает короткий высокий гудок.

**Примечание:**

**В течение приблизительно 30 секунд после отмены выбора функции управление невозможно. (Правильная работа)**

Описание каждого СИДа (СИД1, 2, 3) на пульте управления внутреннего прибора приводится в таблице ниже.

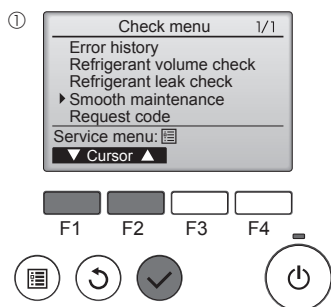
СИД 1 (питание микрокомпьютера)	Показывает наличие питания системы управления. Убедитесь в том, что данный СИД горит постоянно.
СИД 2 (питание пульта дистанционного управления)	Показывает наличие питания пульта дистанционного управления. Данный СИД загорается только в том случае, когда внутренний прибор подсоединен к адресу “0” хладагента наружного прибора.
СИД 3 (связь между внутренним и наружным приборами)	Показывает состояние связи между внутренним и наружным приборами. Убедитесь в том, что данный СИД мигает постоянно.

## 8. Функция простого техобслуживания

Данные обслуживания, такие как температура теплообменника внутреннего/наружного блоков и рабочий ток компрессора, могут отображаться с помощью функции "Smooth maintenance" (Плавное обслуживание).

\* **Выполнение этой функции невозможно во время проведения испытаний.**

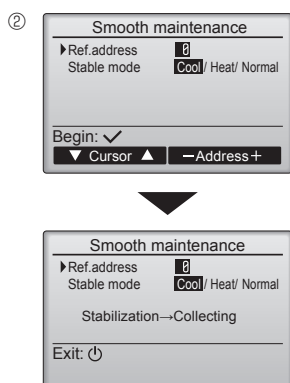
\* **В зависимости от комбинации с наружным прибором на некоторых моделях эта функция может не поддерживаться.**



• Выберите в Main menu (главном меню) пункт "Service" (Сервисное обслуживание) и нажмите кнопку [ВЫБОР].

• С помощью кнопки [F1] или [F2] выберите пункт "Check" (Пров.) и нажмите кнопку [ВЫБОР].

• С помощью кнопки [F1] или [F2] выберите пункт "Smooth maintenance" (Плавное обслуживание) и нажмите кнопку [ВЫБОР].



### Выберите нужный элемент

• Кнопкой [F1] или [F2] выберите элемент, который необходимо изменить.

• Кнопкой [F3] или [F4] выберите нужный параметр.

Параметр "Ref. address" (Адрес обращ.) ..... "0" - "15"

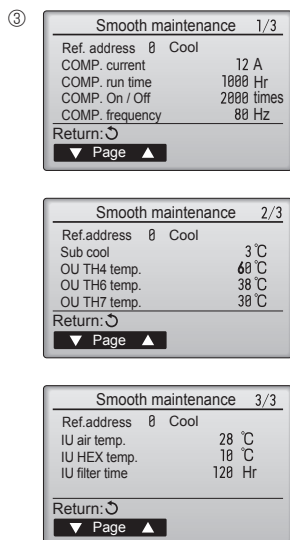
Параметр "Stable mode" (Стабильный режим) ..... "Cool" (Охлажд.) /

"Heat" (Нагрев) /

"Normal" (Нормальный)

• Нажмите кнопку [ВЫБОР], начнется работа в выбранном режиме.

\* Работа в режиме "Stable mode" (Стабильный режим) займет прим. 20 минут.



Отобразятся рабочие данные.

Для параметра общего времени работы компрессора (COMP. run (КОМП. раб.)) используется единица 10 часов, а для параметра количества включений компрессора (COMP. On/Off (КОМП. Вкл/Выкл)) используется единица 100 раз (дробные значения исключены)

### Навигация по экранам

- Для возврата в Главное меню ..... кнопка [МЕНЮ]
- Для возврата к предыдущему экрану ..... кнопка [ВОЗВРАТ]

This product is designed and intended for use in the residential,  
commercial and light-industrial environment.

The product at hand is based on the following EU regulations:

- Low Voltage Directive 2006/95/EC
- Electromagnetic Compatibility Directive 2004/108/EC
- Machinery Directive 2006/42/EC
- Energy-related Products Directive 2009/125/EC and Regulation (EU) No 206/2012\*
- \* Only RP35/50/60/71/100
- RoHS Directive 2011/65/EU

Please be sure to put the contact address/telephone number on  
this manual before handing it to the customer.

Не забудьте указать контактный адрес/номер телефона в  
данном руководстве, прежде чем передать его клиенту.

## MITSUBISHI ELECTRIC CORPORATION

HEAD OFFICE: TOKYO BLDG., 2-7-3, MARUNOUCHI, CHIYODA-KU, TOKYO 100-8310, JAPAN

Authorized representative in EU: MITSUBISHI ELECTRIC EUROPE B.V.

HARMAN HOUSE, 1 GEORGE STREET, UXBRIDGE, MIDDLESEX UB8 1QQ, U.K.

Название Компании: ООО «Мицубиси Электрик (PVC)»

Адрес: россия, 115054, Москва, Космодамианская наб., д. 52, стр. 1