

Air-Conditioners PSA-RP·KA

INSTALLATION MANUAL

For safe and correct use, read this manual and the outdoor unit installation manual thoroughly before installing the air-conditioner unit.

FOR INSTALLER

INSTALLATIONSHANDBUCH

Aus Sicherheitsgründen und zur richtigen Anwendung vor Installation der Klimaanlage die vorliegende Bedienungsanleitung und das Installationshandbuch gründlich durchlesen.

FÜR INSTALLATEURE

MANUEL D'INSTALLATION

Avant d'installer le climatiseur, lire attentivement ce manuel, ainsi que le manuel d'installation de l'appareil extérieur pour une utilisation sûre et correcte.

POUR L'INSTALLATEUR

INSTALLATIEHANDLEIDING

Lees deze handleiding en de installatiehandleiding van het buitenapparaat zorgvuldig door voordat u met het installeren van de airconditioner begint.

VOOR DE INSTALLATEUR

MANUAL DE INSTALACIÓN

Para un uso seguro y correcto, lea detalladamente este manual de instalación antes de montar la unidad de aire acondicionado.

PARA EL INSTALADOR

MANUALE DI INSTALLAZIONE

Per un uso sicuro e corretto, prima di installare il condizionatore d'aria leggere attentamente il presente manuale ed il manuale d'installazione dell'unità esterna.

PER L'INSTALLATORE

ΕΓΧΕΙΡΙΔΙΟ ΟΔΗΓΙΩΝ ΕΓΚΑΤΑΣΤΑΣΗΣ

Για σωστή και ασφαλή χρήση, διαβάστε προσεκτικά αυτό το εγχειρίδιο, καθώς και το εγχειρίδιο εγκατάστασης της εξωτερικής μονάδας, πριν από την εγκατάσταση της μονάδας κλιματιστικού.

ΓΙΑ ΑΥΤΟΝ ΠΟΥ ΚΑΝΕΙ ΤΗΝ ΕΓΚΑΤΑΣΤΑΣΗ

MANUAL DE INSTALAÇÃO

Para uma utilização segura e correcta, leia atentamente este manual e o manual de instalação da unidade exterior antes de instalar o aparelho de ar condicionado.

PARA O INSTALADOR

INSTALLATIONSMANUAL

Læs af sikkerhedshensyn denne manual samt manualen til installation af udendørsenheden grundigt, før du installerer klimaanlægget.

TIL INSTALLATØREN

INSTALLATIONSMANUAL

Läs bruksanvisningen och utomhusenhetens installationshandbok noga innan luftkonditioneringen installeras så att den används på ett säkert och korrekt sätt.

FÖR INSTALLATÖREN

MONTAJ ELKİTABI

Emniyetli ve doğru kullanım için, klima cihazını monte etmeden önce bu kılavuzu ve iç ünite montaj kılavuzunu tamamiyla okuyun.

MONTÖR İÇİN

РУКОВОДСТВО ПО УСТАНОВКЕ

Для обеспечения безопасной и надлежащей эксплуатации внимательно прочтите данное руководство и руководство по установке наружного прибора перед установкой кондиционера.

ДЛЯ УСТАНОВИТЕЛЯ

English

Deutsch

Français

Nederlands

Español

Italiano

Ελληνικά

Português

Dansk

Svenska

Türkçe

Русский

Contents

1. Safety precautions.....	2	5. Drainage piping work.....	6
2. Installation location.....	3	6. Electrical work.....	7
3. Installing the indoor unit.....	3	7. Test run.....	10
4. Installing the refrigerant piping.....	4	8. Easy maintenance function.....	12

1. Safety precautions

- ▶ Before installing the unit, make sure you read all the “Safety precautions”.
- ▶ Please report to your supply authority or obtain their consent before connecting this equipment to the power supply system.

⚠ Warning:
Describes precautions that must be observed to prevent danger of injury or death to the user.

⚠ Caution:
Describes precautions that must be observed to prevent damage to the unit.

- ⚠ Warning:**
- Ask a dealer or an authorized technician to install the unit.
 - For installation work, follow the instructions in the Installation Manual and use tools and pipe components specifically made for use with refrigerant specified in the outdoor unit installation manual.
 - The unit must be installed according to the instructions in order to minimize the risk of damage from earthquakes, typhoons, or strong winds. An incorrectly installed unit may fall down and cause damage or injuries.
 - The unit must be securely installed on a structure that can sustain its weight.
 - If the air conditioner is installed in a small room, measures must be taken to prevent the refrigerant concentration in the room from exceeding the safety limit in the event of refrigerant leakage. Should the refrigerant leak and cause the concentration limit to be exceeded, hazards due to lack of oxygen in the room may result.
 - Ventilate the room if refrigerant leaks during operation. If refrigerant comes into contact with a flame, poisonous gases will be released.
 - All electric work must be performed by a qualified technician according to local regulations and the instructions given in this manual.
 - Use only specified cables for wiring. The wiring connections must be made securely with no tension applied on the terminal connections. Also, never

After installation work has been completed, explain the “Safety Precautions,” use, and maintenance of the unit to the customer according to the information in the Operation Manual and perform the test run to ensure normal operation. Both the Installation Manual and Operation Manual must be given to the user for keeping. These manuals must be passed on to subsequent users.

⚡ : Indicates a part which must be grounded.

⚠ Warning:
Carefully read the labels affixed to the main unit.

- splice the cables for wiring (unless otherwise indicated in this document). Failure to observe these instructions may result in overheating or a fire.
- The terminal block cover panel of the unit must be firmly attached.
- Use only accessories authorized by Mitsubishi Electric and ask a dealer or an authorized technician to install them.
- The user should never attempt to repair the unit or transfer it to another location.
- After installation has been completed, check for refrigerant leaks. If refrigerant leaks into the room and comes into contact with the flame of a heater or portable cooking range, poisonous gases will be released.
- When installing or relocating, or servicing the air conditioner, use only the specified refrigerant (R410A) to charge the refrigerant lines. Do not mix it with any other refrigerant and do not allow air to remain in the lines. If air is mixed with the refrigerant, then it can be the cause of abnormal high pressure in the refrigerant line, and may result in an explosion and other hazards. The use of any refrigerant other than that specified for the system will cause mechanical failure or system malfunction or unit breakdown. In the worst case, this could lead to a serious impediment to securing product safety.

1.1. Before installation (Environment)

- ⚠ Caution:**
- Do not use the unit in an unusual environment. If the air conditioner is installed in areas exposed to steam, volatile oil (including machine oil), or sulfuric gas, areas exposed to high salt content such as the seaside, the performance can be significantly reduced and the internal parts can be damaged.
 - Do not install the unit where combustible gases may leak, be produced, flow, or accumulate. If combustible gas accumulates around the unit, fire or explosion may result.
 - Do not keep food, plants, caged pets, artwork, or precision instruments in the direct airflow of the indoor unit or too close to the unit, as these items can be damaged by temperature changes or dripping water.

- When the room humidity exceeds 80% or when the drainpipe is clogged, water may drip from the indoor unit. Do not install the indoor unit where such dripping can cause damage.
- When installing the unit in a hospital or communications office, be prepared for noise and electronic interference. Inverters, home appliances, high-frequency medical equipment, and radio communications equipment can cause the air conditioner to malfunction or breakdown. The air conditioner may also affect medical equipment, disturbing medical care, and communications equipment, harming the screen display quality.

1.2. Before installation or relocation

- ⚠ Caution:**
- Be extremely careful when transporting the units. Two or more persons are needed to handle the unit, as it weighs 20 kg or more. Do not grasp the packaging bands. Wear protective gloves as you can injure your hands on the fins or other parts.
 - Be sure to safely dispose of the packaging materials. Packaging materials, such as nails and other metal or wooden parts may cause stabs or other injuries.

- Thermal insulation of the refrigerant pipe is necessary to prevent condensation. If the refrigerant pipe is not properly insulated, condensation will be formed.
- Place thermal insulation on the pipes to prevent condensation. If the drainpipe is installed incorrectly, water leakage and damage to the ceiling, floor, furniture, or other possessions may result.
- Do not clean the air conditioner unit with water. Electric shock may result.
- Tighten all flare nuts to specification using a torque wrench. If tightened too much, the flare nut can break after an extended period.

1.3. Before electric work

- ⚠ Caution:**
- Be sure to install circuit breakers. If not installed, electric shock may result.
 - For the power lines, use standard cables of sufficient capacity. Otherwise, a short circuit, overheating, or fire may result.
 - When installing the power lines, do not apply tension to the cables.

- Be sure to ground the unit. If the unit is not properly grounded, electric shock may result.
- Use circuit breakers (ground fault interrupter, isolating switch (+B fuse), and molded case circuit breaker) with the specified capacity. If the circuit breaker capacity is larger than the specified capacity, breakdown or fire may result.

1.4. Before starting the test run

- ⚠ Caution:**
- Turn on the main power switch more than 12 hours before starting operation. Starting operation just after turning on the power switch can severely damage the internal parts.
 - Before starting operation, check that all panels, guards and other protective parts are correctly installed. Rotating, hot, or high voltage parts can cause injuries.

- Do not operate the air conditioner without the air filter set in place. If the air filter is not installed, dust may accumulate and breakdown may result.
- Do not touch any switch with wet hands. Electric shock may result.
- Do not touch the refrigerant pipes with bare hands during operation.
- After stopping operation, be sure to wait at least five minutes before turning off the main power switch. Otherwise, water leakage or breakdown may result.

2. Installation location

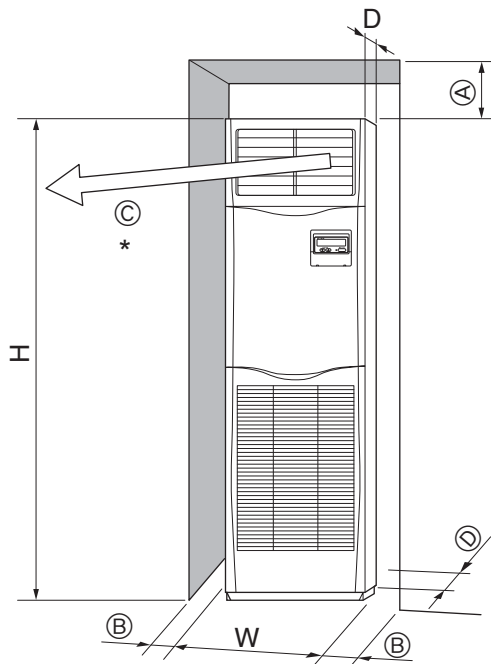


Fig. 2-1

2.1. Outline dimensions (Indoor unit) (Fig. 2-1)

Select a proper position allowing the following clearances for installation and maintenance.

(mm)

Models	W	D	H	A	B	C	D
71,100,125,140	600	360	1900	300	Min. 100	Min. 1000	Min. 5

* Do not place any objects within 1000 mm of the air outlet.

⚠ Warning:

Mount the indoor unit on a ceiling strong enough to withstand the weight of the unit.

3. Installing the indoor unit

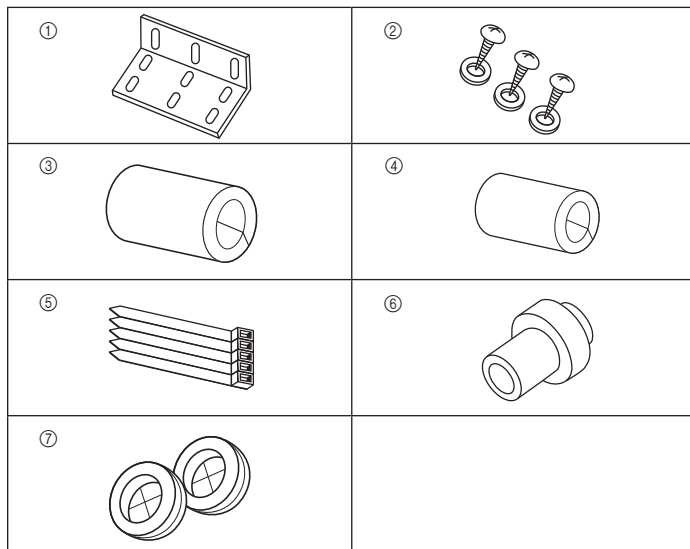


Fig. 3-1

3.1. Check the indoor unit accessories

The indoor unit is supplied with the following spare parts and accessories.

Part number	Accessory name	Q'ty	Setting location
①	Tip-over prevention bracket	1	The top surface of the unit.
②	Tapping screws (with washer)	3	Inside the air intake grill.
③	Gas pipe insulation (large)	1	
④	Liquid pipe insulation (small)	1	
⑤	Band	5	
⑥	Drain socket	1	
⑦	Bushing (for the wire hole)	2	

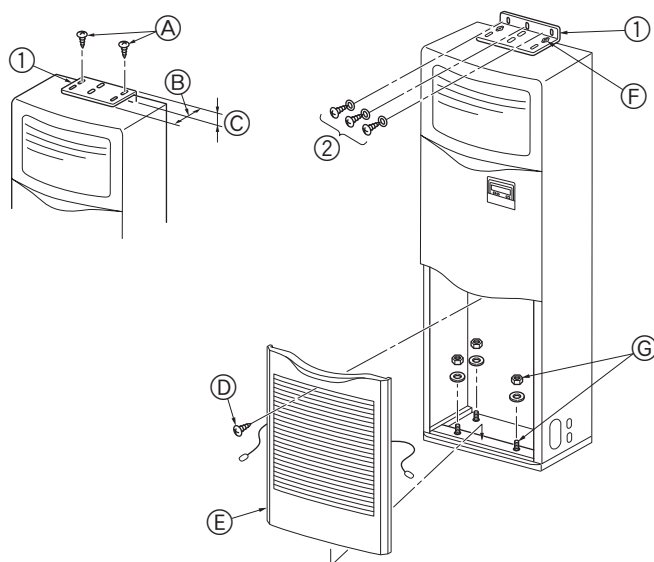


Fig. 3-2

3.2. Tip-over prevention bracket (Fig. 3-2)

To prevent the unit from tipping over attach the tip-over prevention bracket to the wall.

- ① Tip-over prevention bracket
 - Ⓐ Tapping screws 4 × 10 (with washer)
 - Ⓑ The long edge of the unit
 - Ⓒ The short edge of the unit

The tip-over prevention bracket ① is set on the top surface of the unit. Remove the tapping screws ②, and then reinstall the bracket, as shown in the illustration. For the proper installation distances, see Fig. 3-3.

- ② Screw
 - Ⓓ Remove the screw ② and then pull the grill forward to remove it.

Example of a tip-over prevention bracket

If the wall or floor is made of a material other than wood, use a suitable device such as a commercially available concrete anchor to hold the unit in place.

- ② 4 × 25 tapping screws
 - Ⓕ Hold the bracket in place with the tapping screws ②.
 - Ⓖ The bottom of the unit can be held in place by four anchor bolts which can be obtained locally.

3. Installing the indoor unit

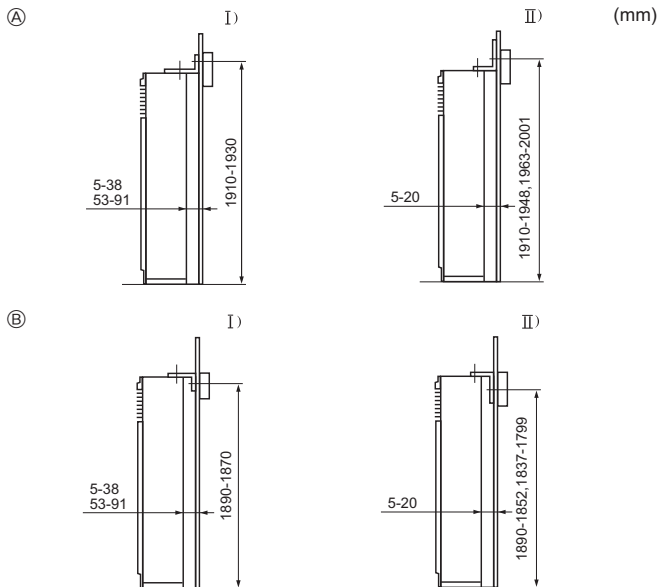


Fig. 3-3

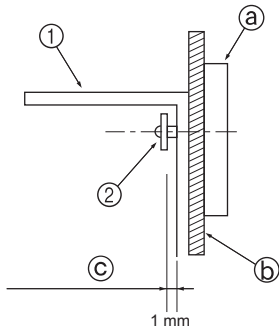


Fig. 3-4

3.3. Mounting the tip-over prevention bracket (Fig. 3-3)

- Select one of the following mounting methods, depending on the height of the frieze inside the wall above the floor.
- In the case of a light steel bed, a frieze is generally not used, so the bracket should be mounted to one of the supports or pillars (obtain the screws locally).
- If the air outlet duct is to be attached to the unit ceiling panel, make sure that the long edge of the bracket is placed against the wall. This will ensure that the bracket does not cover the knockout holes in the unit ceiling panel or the screw holes for attaching the air outlet duct.

- Ⓐ The bracket faces up
- Ⓑ The bracket faces down
 - I) The short edge of the bracket is against the wall
 - II) The long edge of the bracket is against the wall

- The distance between the unit and the wall can be varied.
- The vertical dimension shown is the distance from the floor to the bracket mounting screws (the frieze center is within these limits).

- First, mount the bracket on the wall and then tighten the screw so that the bracket can slide up and down. (Fig. 3-4)

- ① Tip-over prevention bracket
- ② Tapping screw
- Ⓐ Frieze
- ④ Wall surface material
- ③ Gap of about 1 mm

Floor mounting

Remove the air intake grill, open the floor mounting knockout holes in the base and fix the anchor bolts to the floor.

4. Installing the refrigerant piping

4.1. Precautions

4.1.1. For devices that use R410A refrigerant

- Use ester oil, ether oil, alkylbenzene oil (small amount) as the refrigeration oil applied to the flared sections.
- Use C1220 copper phosphorus, for copper and copper alloy seamless pipes, to connect the refrigerant pipes. Use refrigerant pipes with the thicknesses specified in the table to the below. Make sure the insides of the pipes are clean and do not contain any harmful contaminants such as sulfuric compounds, oxidants, debris, or dust.

⚠ Warning:

When installing or relocating, or servicing the air conditioner, use only the specified refrigerant (R410A) to charge the refrigerant lines. Do not mix it with any other refrigerant and do not allow air to remain in the lines.

If air is mixed with the refrigerant, then it can be the cause of abnormal high pressure in the refrigerant line, and may result in an explosion and other hazards. The use of any refrigerant other than that specified for the system will cause mechanical failure or system malfunction or unit breakdown. In the worst case, this could lead to a serious impediment to securing product safety.

Liquid pipe	ø9.52 thickness 0.8 mm
Gas pipe	ø15.88 thickness 1.0 mm

- Do not use pipes thinner than those specified above.

4. Installing the refrigerant piping

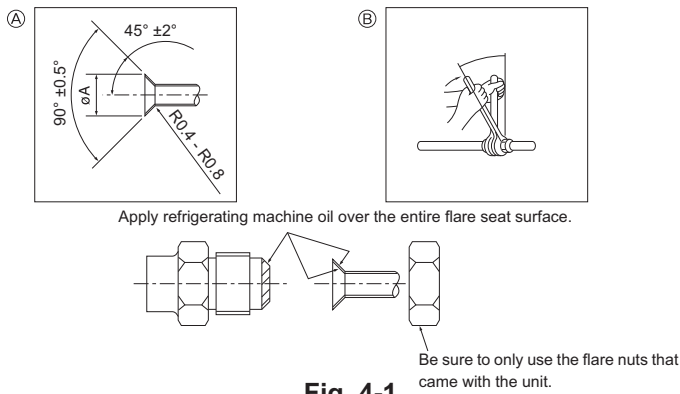


Fig. 4-1

(A) Flare cutting dimensions

Copper pipe O.D. (mm)	Flare dimensions øA dimensions (mm)
ø9.52	12.8 - 13.2
ø15.88	19.3 - 19.7

(B) Flare nut tightening torque

Copper pipe O.D. (mm)	Tightening torque (N·m)	Tightening angle (Guideline)
ø9.52	34 - 42	60° - 90°
ø15.88	66 - 82	30° - 60°

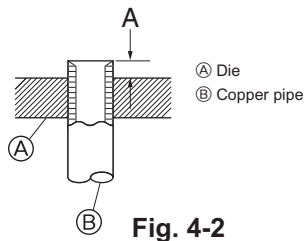


Fig. 4-2

Copper pipe O.D. (mm)	A (mm)
	Flare tool for R410A Clutch type
ø9.52 (3/8")	0 - 0.5
ø15.88 (5/8")	0 - 0.5

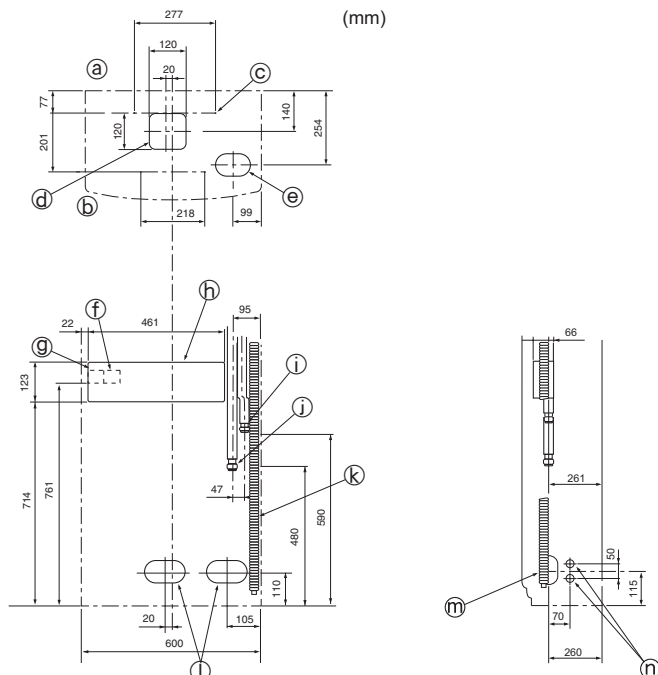


Fig. 4-3

4.2. Indoor unit (Fig. 4-1)

- When commercially available copper pipes are used, wrap liquid and gas pipes with commercially available insulation materials (heat-resistant to 100 °C or more, thickness of 12 mm or more).
- The indoor parts of the drain pipe should be wrapped with polyethylene foam insulation materials (specific gravity of 0.03, thickness of 9 mm or more).
- Apply thin layer of refrigerant oil to pipe and joint seating surface before tightening flare nut.
- Use two wrenches to tighten piping connections.
- Use leak detector or soapy water to check for gas leaks after connections are completed.
- Use refrigerant piping insulation provided to insulate indoor unit connections. Insulate carefully following shown below.
- Use correct flare nuts meeting the pipe size of the outdoor unit.

Available pipe size

Liquid side	ø9.52
Gas side	ø15.88

⚠ Warning:

When installing the unit, securely connect the refrigerant pipes before starting the compressor.

4.3. Refrigerant and drainage pipe locations (Fig. 4-3)

Where knockout holes are indicated, use a saw blade to cut along the groove.

Do not cut the hole larger than the indicated groove.

- Ⓐ Rear surface
- Ⓑ Front surface
- Ⓒ Knockout hole for mounting: 4-10 mm diameter hole
- Ⓓ * knockout hole for connections under the unit
- Ⓔ 120 × 120 knockout hole for connections under the unit
- Ⓕ Indoor/outdoor unit connecting terminals
- Ⓖ Power supply terminals
- Ⓗ Electrical equipment box
- Ⓘ Liquid pipe
- Ⓛ Gas pipe
- Ⓚ Drain pipe outlet diameter ø26 <PVC pipe VP20 connection>
- Ⓜ 140 × 80
Knockout hole for refrigerant and drainage piping and electrical wiring
- Ⓨ 90 × 60
Knockout hole for refrigerant and drainage piping
- Ⓩ 27 mm diameter knockout hole for electrical wiring (there is a similar hole on the left side)

4. Installing the refrigerant piping

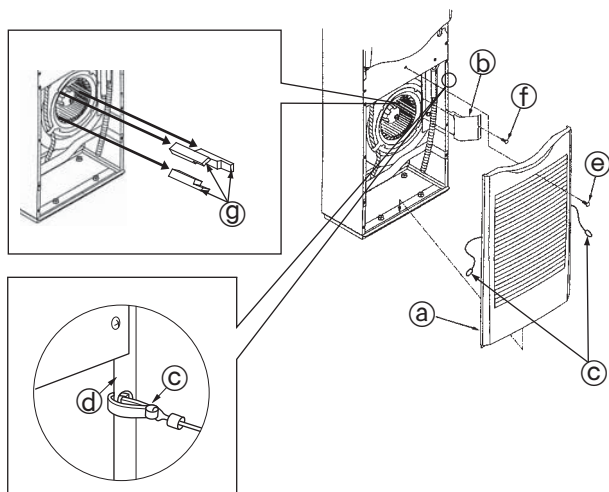


Fig. 4-4

Refrigerant piping connection (Fig. 4-4)

1. Remove the screw from the air intake grill handle and then remove the air intake grill by pulling it up and forward.
2. Remove the tapping screw that holds the pipe support in place and then remove the pipe support.
3. Remove the cushions.
 - Be sure to remove the three cushions from the fan before operating the indoor unit.
 - After finishing this work, always reassemble the unit.
 - When reassembling, hook the air intake grill hangers © onto the holes in the sides of the panels.

- Ⓐ Air intake grill
- Ⓑ Pipe support
- Ⓒ Hanger
- Ⓓ Side panel
- Ⓔ Screw
- Ⓕ 4 × 10 tapping screw
- Ⓖ Cushion

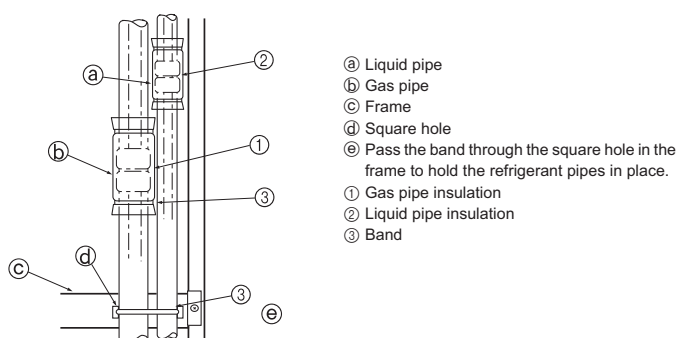


Fig. 4-5

Insulate flare joints ① and ② of the gas and refrigerant pipes completely. If any part of the joints are exposed, condensation can drip down. (Fig. 4-5)

- Fasten the gas pipe insulation ① and the liquid pipe insulation ② at both ends so that they will not slip and align with one another.
- After the insulation is installed, use a band ③ to fasten the refrigerant pipe to the frame (below the pipe joint section). This will prevent the refrigerant pipe from lifting up off of the frame. (When the refrigerant pipe is off of the frame, the grille cannot be installed.)
- After connecting the refrigerant piping to the indoor unit, be sure to test the pipe connections for gas leakage with nitrogen gas. (Check that there is no refrigerant leakage from the refrigerant piping to the indoor unit.) Conduct the airtightness test before connecting the outdoor unit stop valve and the refrigerant pipe. If the test is conducted after the valve and pipe are connected, gas, which is used for checking the airtightness, will leak from the stop valve and flow into the outdoor unit, resulting in abnormal operation.

5. Drainage piping work

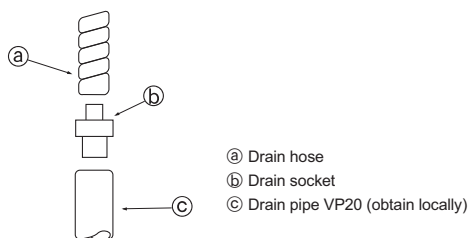


Fig. 5-1

5.1. Drainage Piping Work (Fig. 5-1)

- Install the drain pipe so that it slopes downward (1/100 or more).
- Use VP20 (O.D. ø26 PVC TUBE) for the drain pipes.
- The drain hose can be cut with a knife to match on-site requirements.
- When connecting to the VP20, use the accessory drain socket (b). Securely fasten the socket to the pipe with vinyl chloride type adhesive so that it doesn't leak.
- Do not insert the drain pipe directly into a location where sulfur-containing gas is likely to be generated (i.e. a sewer).
- Make sure that no water leaks from the drain pipe joint.
- If the drain pipe passes through an indoor area, wrap commercially available insulation (polyethylene foam of specific gravity 0.03 with a thickness of 9 mm or more) around it and cover the surface with tape. This will prevent air from entering and condensation from forming.

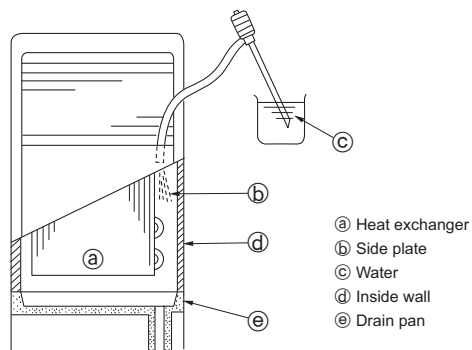


Fig. 5-2

5.2. Drainage check (Fig. 5-2)

- After installing the pipes, make sure that the waste water is being drained out properly and that water is not leaking from the joints (also perform these checks if installation is done during the heating season).
- Insert a water supply pump from the right side of the air outflow port and pump about 1L of water into the unit.
 - * Pump gently, toward the heat exchanger side plate or the unit inside wall.
 - * Always pump from the right side of the air outflow port.
 - * If the unit has a heater, the heater will be attached to the front surface of the heat exchanger, make sure that water does not get onto the heater.

6. Electrical work

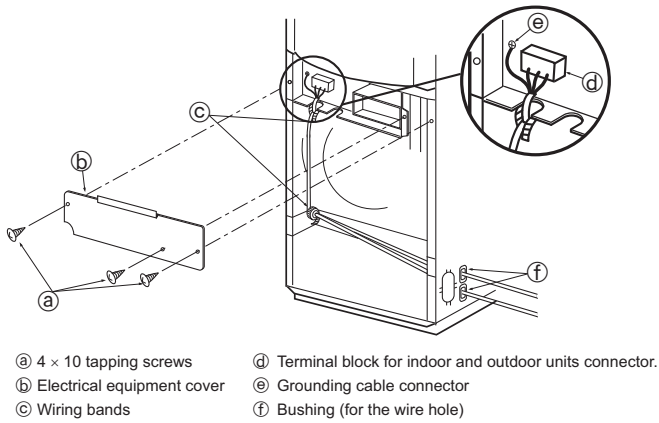


Fig. 6-1

6.1. Electric wiring (Fig. 6-1)

1. Remove the tapping screws (a) and then remove the electrical equipment cover (b).
2. Connect the electric wires securely to the corresponding terminals.
3. Fasten the wires (d) with the bands (c).
 - Always ground the wiring (the ground wire diameter must be 1.6 mm or more).
 - If the wires contact the pipes, condensation may drip onto them. Make sure that the wires are properly routed.
 - Fasten the power source wiring to the control box using the buffer bushing for tensile force (PG connection or the like)
 - After finishing this work, always reassemble the unit.
 - For instructions on how to reinstall the air intake grill, see page 6.

⚠ Warning:

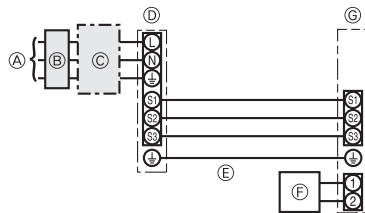
Never splice the power cable or the indoor-outdoor connection cable, otherwise it may result in a smoke, a fire or communication failure.

6.1.1. Indoor unit power supplied from outdoor unit

The following connection patterns are available.

The outdoor unit power supply patterns vary on models.

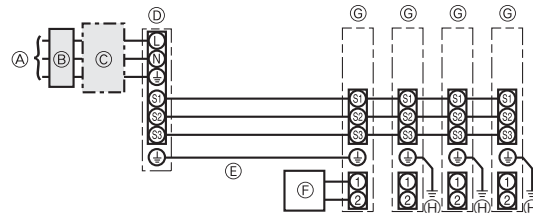
1:1 System



- (A) Outdoor unit power supply
- (B) Earth leakage breaker
- (C) Wiring circuit breaker or isolating switch
- (D) Outdoor unit
- (E) Indoor unit/outdoor unit connecting cords
- (F) Remote controller
- (G) Indoor unit

* Affix a label A that is included with the manuals near each wiring diagram for the indoor and outdoor units.

Simultaneous twin/triple/four system



- (A) Outdoor unit power supply
- (B) Earth leakage breaker
- (C) Wiring circuit breaker or isolating switch
- (D) Outdoor unit
- (E) Indoor unit/outdoor unit connecting cords
- (F) Remote controller
- (G) Indoor unit
- (H) Indoor unit earth

* Affix a label A that is included with the manuals near each wiring diagram for the indoor and outdoor units.

Wiring Wire No. × size (mm ²)	Indoor unit-Outdoor unit	*1	3 × 1.5 (polar)
	Indoor unit-Outdoor unit earth	*1	1 × Min. 1.5
	Indoor unit earth		1 × Min. 1.5
	Remote controller-Indoor unit	*2	2 × 0.3 (Non-polar)
Circuit rating	Indoor unit (Heater) L-N	*3	—
	Indoor unit-Outdoor unit S1-S2	*3	AC 230 V
	Indoor unit-Outdoor unit S2-S3	*3	DC24 V
	Remote controller-Indoor unit	*3	DC12 V

*1. <For 25-140 outdoor unit application>

Max. 45 m

If 2.5 mm² used, Max. 50 m

If 2.5 mm² used and S3 separated, Max. 80 m

<For 200/250 outdoor unit application>

Max. 18 m

If 2.5 mm² used, Max. 30 m

If 4 mm² used and S3 separated, Max. 50 m

If 6 mm² used and S3 separated, Max. 80 m

*2. The 10 m wire is attached in the remote controller accessory. Max. 500 m

*3. The figures are NOT always against the ground.

S3 terminal has DC 24 V against S2 terminal. However between S3 and S1, these terminals are not electrically insulated by the transformer or other device.

Notes: 1. Wiring size must comply with the applicable local and national code.

2. Power supply cords and indoor unit/outdoor unit connecting cords shall not be lighter than polychloroprene sheathed flexible cord. (Design 60245 IEC 57)

3. Install an earth longer than other cables.

6. Electrical work

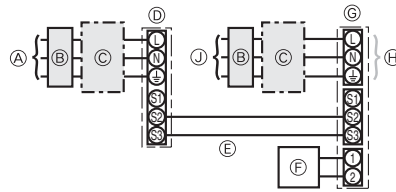
6.1.2. Separate indoor unit/outdoor unit power supplies (For PUHZ application only)

The following connection patterns are available.

The outdoor unit power supply patterns vary on models.

1:1 System

* The optional wiring replacement kit is required.

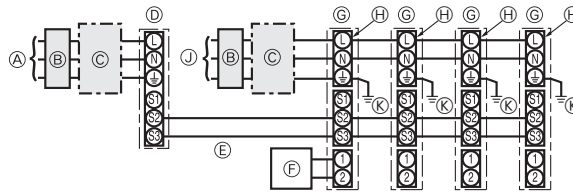


- Ⓐ Outdoor unit power supply
- Ⓑ Earth leakage breaker
- Ⓒ Wiring circuit breaker or isolating switch
- Ⓓ Outdoor unit
- Ⓔ Indoor unit/outdoor unit connecting cords
- Ⓕ Remote controller
- Ⓖ Indoor unit
- Ⓗ Option
- Ⓙ Indoor unit power supply

* Affix a label B that is included with the manuals near each wiring diagram for the indoor and outdoor units.

Simultaneous twin/triple/four system

* The optional wiring replacement kits are required.



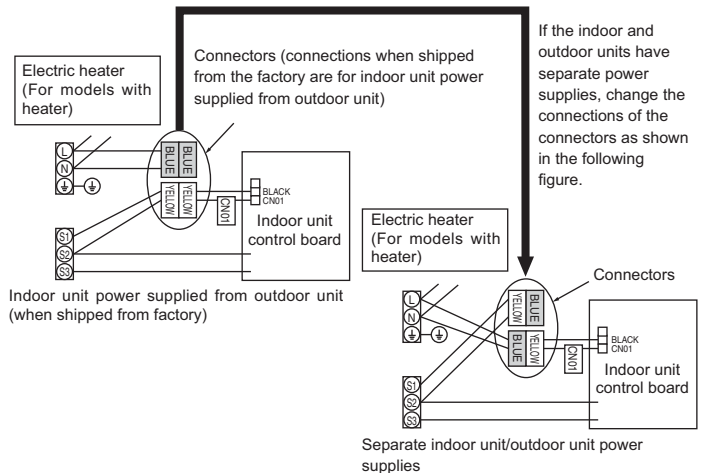
- Ⓐ Outdoor unit power supply
- Ⓑ Earth leakage breaker
- Ⓒ Wiring circuit breaker or isolating switch
- Ⓓ Outdoor unit
- Ⓔ Indoor unit/outdoor unit connecting cords
- Ⓕ Remote controller
- Ⓖ Indoor unit
- Ⓗ Option
- Ⓙ Indoor unit power supply
- Ⓚ Indoor unit earth

* Affix a label B that is included with the manuals near each wiring diagram for the indoor and outdoor units.

If the indoor and outdoor units have separate power supplies, refer to the table at the below. If the optional wiring replacement kit is used, change the indoor unit electrical box wiring referring to the figure in the right and the DIP switch settings of the outdoor unit control board.

	Indoor unit specifications								
Indoor power supply terminal kit (option)	Required								
Indoor unit electrical box connector connection change	Required								
Label affixed near each wiring diagram for the indoor and outdoor units	Required								
Outdoor unit DIP switch settings (when using separate indoor unit/outdoor unit power supplies only)	<table border="1" style="display: inline-table;"> <tr> <td>ON</td> <td></td> <td></td> <td>3</td> </tr> <tr> <td>OFF</td> <td>1</td> <td>2</td> <td></td> </tr> </table> (SW8)	ON			3	OFF	1	2	
ON			3						
OFF	1	2							

* There are three types of labels (labels A, B, and C). Affix the appropriate labels to the units according to the wiring method.



Indoor unit power supply		~N (single), 50 Hz, 230 V
Indoor unit input capacity Main switch (Breaker)	*1	16 A
Wiring Wire No. x size (mm ²)	Indoor unit power supply	2 x Min. 1.5
	Indoor unit power supply earth	1 x Min. 1.5
	Indoor unit-Outdoor unit	*2 2 x Min. 0.3
	Indoor unit-Outdoor unit earth	-
	Remote controller-Indoor unit	*3 2 x 0.3 (Non-polar)
Circuit rating	Indoor unit L-N	*4 AC 230 V
	Indoor unit-Outdoor unit S1-S2	*4 -
	Indoor unit-Outdoor unit S2-S3	*4 DC24 V
	Remote controller-Indoor unit	*4 DC12 V

*1. A breaker with at least 3 mm contact separation in each pole shall be provided. Use non-fuse breaker (NF) or earth leakage breaker (NV).

*2. Max. 120 m

*3. The 10 m wire is attached in the remote controller accessory. Max. 500 m

*4. The figures are NOT always against the ground.

Notes: 1. Wiring size must comply with the applicable local and national code.

2. Power supply cords and indoor unit/outdoor unit connecting cords shall not be lighter than polychloroprene sheathed flexible cord. (Design 60245 IEC 57)

3. Install an earth longer than other cables.

6. Electrical work

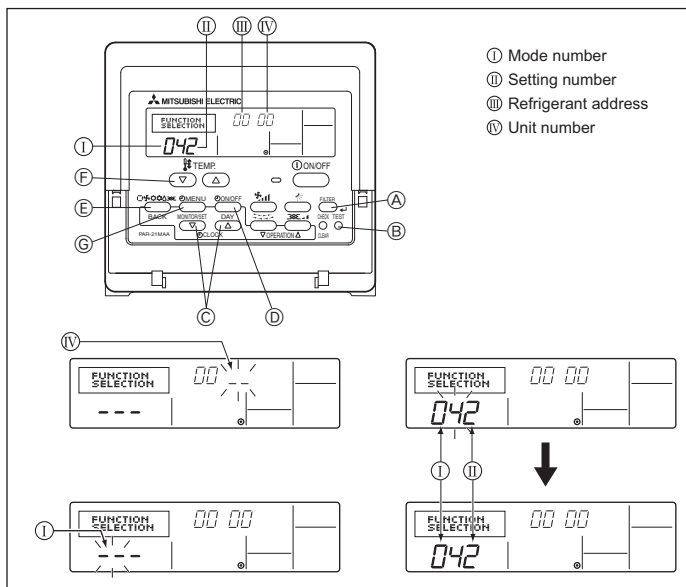


Fig. 6-2

6.2. Function settings

6.2.1. Function setting on the unit (Fig. 6-2)

Changing the power voltage setting

• Be sure to change the power voltage setting depending on the voltage used.

- ① Go to the function setting mode.
Switch OFF the remote controller.
Press the (A) and (B) buttons simultaneously and hold them for at least 2 seconds. FUNCTION will start to flash.
- ② Use the (C) button to set the refrigerant address (III) to 00.
- ③ Press (D) and [-] will start to flash in the unit number (IV) display.
- ④ Use the (C) button to set the unit number (IV) to 00.
- ⑤ Press the (E) MODE button to designate the refrigerant address/unit number. [-] will flash in the mode number (I) display momentarily.
- ⑥ Press the (F) buttons to set the mode number (I) to 04.
- ⑦ Press the (G) button and the current set setting number (II) will flash.
Use the (F) button to switch the setting number in response to the power supply voltage to be used.
Power supply voltage
240 V : setting number = 1
220 V, 230 V : setting number = 2
- ⑧ Press the MODE button (E) and mode and the setting number (I) and (II) will change to being on constantly and the contents of the setting can be confirmed.
- ⑨ Press the FILTER (A) and TEST RUN (B) buttons simultaneously for at least two seconds. The function selection screen will disappear momentarily and the air conditioner OFF display will appear.

6.2.2. Function setting on the remote controller

Refer to the indoor unit operation manual.

Function table

Select unit number 00

Mode	Settings	Mode no.	Setting no.	Initial setting	Setting
Power failure automatic recovery	Not available	01	1	*2	
	Available		2	*2	
Indoor temperature detecting	Indoor unit operating average	02	1	○	
	Set by indoor unit's remote controller		2		
	Remote controller's internal sensor		3	-	
LOSSNAY connectivity	Not Supported	03	1	○	
	Supported (indoor unit is not equipped with outdoor-air intake)		2		
	Supported (indoor unit is equipped with outdoor-air intake)		3		
Power voltage	240 V	04	1		
	220 V, 230 V		2	○	

Select unit numbers 01 to 03 or all units (AL [wired remote controller]/07 [wireless remote controller])

Mode	Settings	Mode no.	Setting no.	Initial setting	Setting
Filter sign	100 H	07	1		
	2500 Hr		2	○	
	No filter sign indicator		3		
Fan speed	Silent	08	1		
	Standard		2	○	
	-		3	-	

*1 When the power supply returns, the air conditioner will start 4 minutes later.

*2 Power failure automatic recovery initial setting depends on the connecting outdoor unit.

7. Test run

7.1. Before test run

- ▶ After completing installation and the wiring and piping of the indoor and outdoor units, check for refrigerant leakage, looseness in the power supply or control wiring, wrong polarity, and no disconnection of one phase in the supply.
- ▶ Use a 500-volt megohmmeter to check that the resistance between the power supply terminals and ground is at least 1.0 MΩ.

- ▶ Do not carry out this test on the control wiring (low voltage circuit) terminals.

⚠ Warning:

Do not use the air conditioner if the insulation resistance is less than 1.0 MΩ.
Insulation resistance

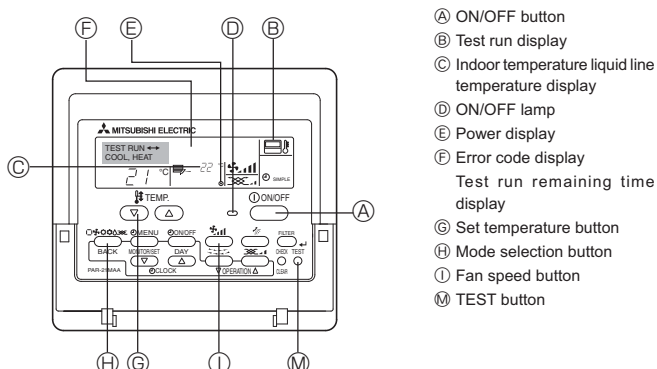


Fig. 7-1

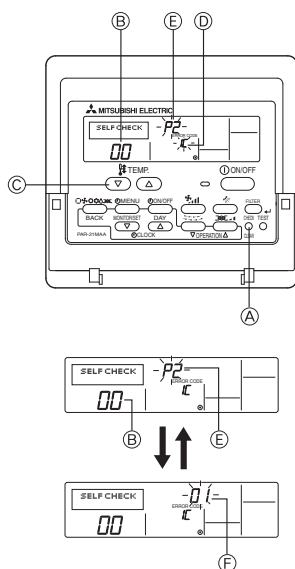


Fig. 7-2

7.2. Test run

The following 2 methods are available.

7.2.1. Using wired remote controller (Fig. 7-1)

- ① Turn on the power at least 12 hours before the test run.
- ② Press the [TEST] button twice. ⇒ "TEST RUN" liquid crystal display
- ③ Press the [Mode selection] button. ⇒ Make sure that wind is blown out.
- ④ Press the [Mode selection] button and switch to the cooling (or heating) mode. ⇒ Make sure that cold (or warm) wind is blown out.
- ⑤ Press the [Fan speed] button. ⇒ Make sure that the wind speed is switched.
- ⑥ Check operation of the outdoor unit fan.
- ⑦ Release test run by pressing the [ON/OFF] button. ⇒ Stop
- ⑧ Register a telephone number.

The telephone number of the repair shop, sales office, etc., to contact if an error occurs can be registered in the remote controller. The telephone number will be displayed when an error occurs. For registration procedures, refer to the operation manual for the indoor unit.

7.2.2. Using SW4 in outdoor unit

Refer to the outdoor unit installation manual.

7.3. Self-check (Fig. 7-2)

- ① Turn on the power.
- ② Press the [CHECK] button twice.
- ③ Set refrigerant address with [TEMP] button if system control is used.
- ④ Press the [ON/OFF] button to stop the self-check.

- A CHECK button
- B Refrigerant address
- C TEMP. button
- D IC: Indoor unit
- E Check code
- F Unit address

[Output pattern A] Errors detected by indoor unit

Check code	Symptom	Remark
P1	Intake sensor error	
P2	Pipe (TH2) sensor error	
P9	Pipe (TH5) sensor error	
E6, E7	Indoor/outdoor unit communication error	
P4	Drain sensor error	
P5	Drain pump error	
P6	Freezing/Overheating safeguard operation	
EE	Communication error between indoor and outdoor units	
P8	Pipe temperature error	
E4	Remote controller signal receiving error	
—	—	
—	—	
PL	Refrigerant circuit abnormal	
Fb	Indoor unit control system error (memory error, etc.)	
--	No corresponding	

7. Test run

[Output pattern B] Errors detected by unit other than indoor unit (outdoor unit, etc.)

Check code	Symptom	Remark
E9	Indoor/outdoor unit communication error (Transmitting error) (Outdoor unit)	For details, check the LED display of the outdoor controller board.
UP	Compressor overcurrent interruption	
U3, U4	Open/short of outdoor unit thermistors	
UF	Compressor overcurrent interruption (When compressor locked)	
U2	Abnormal high discharging temperature/49C worked/insufficient refrigerant	
U1, Ud	Abnormal high pressure (63H worked)/Overheating safeguard operation	
U5	Abnormal temperature of heat sink	
U8	Outdoor unit fan safeguard stop	
U6	Compressor overcurrent interruption/Abnormal of power module	
U7	Abnormality of super heat due to low discharge temperature	
U9, UH	Abnormality such as overvoltage or voltage shortage and abnormal synchronous signal to main circuit/Current sensor error	
-	-	
-	-	
Others	Other errors (Refer to the technical manual for the outdoor unit.)	

- On wired remote controller
Check code displayed in the LCD.

- If the unit cannot be operated properly after the above test run has been performed, refer to the following table to remove the cause.

Symptom		Cause
Wired remote controller	LED 1, 2 (PCB in outdoor unit)	
PLEASE WAIT	For about 2 minutes following power-on	After LED 1, 2 are lighted, LED 2 is turned off, then only LED 1 is lighted. (Correct operation)
PLEASE WAIT → Error code	After about 2 minutes has expired following power-on	Only LED 1 is lighted. → LED 1, 2 blink.
Display messages do not appear even when operation switch is turned ON (operation lamp does not light up).		Only LED 1 is lighted. → LED 1 blinks twice, LED 2 blinks once.
		<ul style="list-style-type: none"> • For about 2 minutes following power-on, operation of the remote controller is not possible due to system start-up. (Correct operation) • Connector for the outdoor unit's protection device is not connected. • Reverse or open phase wiring for the outdoor unit's power terminal block (L1, L2, L3) • Incorrect wiring between indoor and outdoor units (incorrect polarity of S1, S2, S3) • Remote controller wire short

Note:

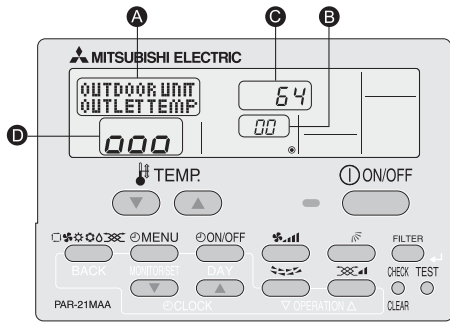
Operation is not possible for about 30 seconds after cancellation of function selection. (Correct operation)

For description of each LED (LED1, 2, 3) provided on the indoor controller, refer to the following table.

LED 1 (power for microcomputer)	Indicates whether control power is supplied. Make sure that this LED is always lit.
LED 2 (power for remote controller)	Indicates whether power is supplied to the remote controller. This LED lights only in the case of the indoor unit which is connected to the outdoor unit refrigerant address "0".
LED 3 (communication between indoor and outdoor units)	Indicates state of communication between the indoor and outdoor units. Make sure that this LED is always blinking.

8. Easy maintenance function

Display example (Comp discharge temperature 64 °C)



By using the maintenance mode, you can display many types of maintenance data on the remote controller such as the heat exchanger temperature and compressor current consumption for the indoor and outdoor units.

This function can be used whether the air conditioner is operating or not.

During air conditioner operation, data can be checked during either normal operation or maintenance mode stable operation.

* This function cannot be used during the test run.

* The availability of this function depends on the connecting outdoor unit. Refer to the brochures.

Maintenance mode operation procedures

(1) Press the **TEST** button for three seconds to activate the maintenance mode. Display **A** MAINTENANCE

(2) Press the TEMP. **▼** **▲** buttons to set the refrigerant address. Display **B** 00 ↔ 01 15

(3) Select the data you want to display.

Compressor information	→	Cumulative operation time	→	ON/OFF number	→	Operation current
MENU		Display A COMP ON x10 HOURS		COMP ON x100 TIMES		COMP ON CURRENT (A)
Outdoor unit information	→	Heat exchanger temperature	→	Comp discharge temperature	→	Outdoor ambient temperature
ON/OFF		Display A OUTDOOR UNIT H-EXC. TEMP		OUTDOOR UNIT OUTLET TEMP		OUTDOOR UNIT OUTDOOR TEMP
Indoor unit information	→	Indoor room temperature	→	Heat exchanger temperature	→	Filter operation time
INLET		Display A INDOOR UNIT INLET TEMP		INDOOR UNIT H-EXC. TEMP		INDOOR UNIT FILTER USE H

* The filter operation time displayed is the number of hours the filter has been used since the filter reset was performed.

(4) Press the **FILTER** button.

(5) The data is displayed in **C**. (Airflow temperature display example)

Display **C** Flashing Waiting for response → Approx. 10 sec. → 64 64 °C

* Repeat steps (2) to (5) to check another data.

(6) Press the **TEST** button for three seconds or press the **ON/OFF** button to deactivate the maintenance mode.

Stable operation

Using the maintenance mode, the operation frequency can be fixed and the operation can be stabilized. If the air conditioner is stopped, use the following procedure to start this operation.

Press the **MODE** button to select the operation mode.

Display **A** Stable cooling operation → Stable heating operation → Stable operation cancellation

COOL STABLE MODE → HEAT STABLE MODE → STABLE MODE CANCEL

Press the **FILTER** button.

Waiting for stable operation

Display **D** → 0 → 00 → 000 → 10-20 min. → 000

Stable operation

* You can check the data using steps (3) to (5) of the maintenance mode operation procedures while waiting for the stable operation.

Содержание

1. Меры предосторожности.....	123	5. Дренажные трубы.....	127
2. Место установки.....	124	6. Электрические работы.....	128
3. Установка внутреннего прибора.....	124	7. Выполнение испытания.....	131
4. Прокладка труб хладагента.....	125	8. Функция простого техобслуживания.....	133

1. Меры предосторожности

- ▶ До установки прибора убедитесь, что Вы прочли все “Меры предосторожности”.
- ▶ Пожалуйста, перед подключением данного оборудования к системе электропитания, сообщите об этом своему поставщику электропитания или получите его разрешение.

⚠ Предупреждение:
Описывает меры предосторожности, необходимые для предотвращения получения травмы или гибели пользователя.

⚠ Осторожно:
Описывает меры предосторожности, необходимые для предотвращения повреждения прибора.

- ⚠ Предупреждение:**
- Для выполнения установки прибора обратитесь к дилеру или сертифицированному техническому специалисту.
 - При установочных работах следуйте инструкциям в Руководстве по установке и используйте инструменты и детали трубопроводов, специально предназначенные для использования с хладагентом, указанным в руководстве по установке наружного прибора.
 - Прибор должен быть установлен согласно инструкциям, чтобы свести к минимуму риск повреждения от землетрясений, тайфунов или сильных порывов ветра. Неправильно установленный прибор может упасть и причинить повреждение или нанести травму.
 - Прибор должен быть установлен на конструкции, способной выдержать его вес.
 - Если кондиционер установлен в небольшом помещении, необходимо принять меры для предотвращения концентрации хладагента свыше безопасных пределов в случае утечки хладагента. В случае утечки хладагента и превышении допустимой его концентрации из-за нехватки кислорода в помещении может произойти несчастный случай.
 - Если во время работы прибора произошла утечка хладагента, проветрите помещение. При контакте хладагента с пламенем образуются ядовитые газы.
 - Все электроработы должны выполняться квалифицированным техническим специалистом в соответствии с местными правилами и инструкциями, приведенными в данном Руководстве.
 - Используйте для проводки указанные кабели. Убедитесь, что кабели надежно соединены, а оконечные соединения не натянуты. Никогда не соединяйте кабели внахлест (если иное не указано в прилагаемой документации). Несоблюдение этих

После окончания установочных работ проинструктируйте пользователя относительно правил эксплуатации и обслуживания аппарата, а также ознакомьте с разделом “Меры предосторожности” в соответствии с информацией, приведенной в Руководстве по использованию аппарата, и выполните тестовый прогон аппарата для того, чтобы убедиться, что он работает нормально. Обязательно передайте пользователю на хранение экземпляры Руководства по установке и Руководства по эксплуатации. Эти Руководства должны быть переданы и последующим пользователям данного прибора.

⚡ : Указывает, что данная часть должна быть заземлена.

⚠ Предупреждение:
Внимательно прочтите текст на этикетках главного прибора.

- инструкций может привести к перегреву или возгоранию.
- Крышка клеммной коробки должна быть надежно присоединена к прибору.
 - Используйте только те дополнительные принадлежности, на которые имеется разрешение от Mitsubishi Electric; для их установки обратитесь к дилеру или уполномоченному техническому специалисту.
 - Пользователю не следует пытаться ремонтировать прибор или перемещать его на другое место.
 - По окончании установки убедитесь в отсутствии утечки хладагента. Если хладагент проникнет в помещение и произойдет контакт его с пламенем обогревателя или переносного пищевого нагревателя, образуются ядовитых газов.
 - При монтаже или перемещении, а также при обслуживании кондиционера используйте только указанный хладагент (R410A) для заполнения трубопроводов хладагента. Не смешивайте его ни с каким другим хладагентом и не допускайте наличия воздуха в трубопроводах. Наличие воздуха в трубопроводах может вызывать скачки давления, в результате которых может произойти взрыв или другие повреждения. Использование любого хладагента, отличного от указанного для этой системы, вызовет механическое повреждение, сбой в работе системы, или выход устройства из строя. В наилучшем случае, это может послужить серьезной преградой к обеспечению безопасной работы этого изделия.

1.1. Перед установкой (Окружающая среда)

- ⚠ Осторожно:**
- Не используйте прибор в нестандартной окружающей среде. Установка кондиционера в местах, подверженных воздействию пара, летучих масел (включая машинное масло) или сернистых испарений, местах с повышенной концентрацией соли (таких, как берег моря), может привести к значительному снижению эффективности работы прибора или повреждению его внутренних частей.
 - Не устанавливайте прибор в местах, где возможна утечка, возникновение, проток или накопление горючих газов. Если горючий газ будет накапливаться вокруг прибора, это может привести к возникновению пожара или взрыву.
 - Не держите пищевые продукты, растения, домашних животных в клетках, произведения искусства и точные инструменты в прямом потоке воздуха от внутреннего прибора или слишком близко к нему, поскольку эти предметы могут быть повреждены перепадами температуры или капающей водой.

- При уровне влажности в помещении выше 80% или закупорке дренажной трубы из внутреннего прибора может капать вода. Не устанавливайте внутренний прибор в местах, где такие капли могут вызвать какое-либо повреждение.
- При монтаже прибора в больнице или центре связи примите во внимание шумовое и электрическое воздействие. Работа таких устройств, как инверторы, бытовые приборы, высокочастотное медицинское оборудование и оборудование радиосвязи может вызвать сбой в работе кондиционера или его поломку. Кондиционер также может повлиять на работу медицинского оборудования и медицинское обслуживание, работу коммуникационного оборудования, вызывая искажение изображения на дисплее.

1.2. Перед установкой или перемещением

- ⚠ Осторожно:**
- Будьте чрезвычайно осторожны при транспортировке приборов. Прибор должны переносить два или более человека, поскольку он весит не менее 20 кг. Не поднимайте прибор за упаковочные ленты. Используйте защитные перчатки, поскольку можно повредить руки ребристыми деталями или другими частями прибора.
 - Утилизируйте упаковочные материалы надлежащим образом. Упаковочные материалы, такие, как гвозди и другие металлические или деревянные части, могут поранить или причинить другие травмы.
 - Для предотвращения конденсации необходимо обеспечить теплоизоляцию трубы хладагента. Если труба хладагента не изолирована должным образом, при работе прибора будет образовываться конденсат.

- Оберните трубы теплоизоляционным материалом для предотвращения конденсации. Если дренажная труба установлена неправильно, это может вызвать протечку воды и испортить потолок, пол, мебель или другое имущество.
- Не мойте кондиционер водой. Это может привести к поражению электрическим током.
- Затягивайте все хомуты на муфтах в соответствии со спецификациями, используя ключ с регулируемым усилием. Слишком сильно затянутый хомут муфты по прошествии некоторого времени может сломаться.

1.3. Перед электрическими работами

- ⚠ Осторожно:**
- Обязательно установите автоматические выключатели. В противном случае возможно поражение электрическим током.
 - Используйте для электропроводки стандартные кабели, рассчитанные на соответствующую мощность. В противном случае может произойти короткое замыкание, перегрев или пожар.
 - При монтаже кабелей питания не прикладывайте растягивающих усилий.

- Обязательно заземлите прибор. Отсутствие надлежащего заземления может привести к поражению электрическим током.
- Используйте автоматические выключатели (прерыватель утечки тока на землю, разведнитель (плавкий предохранитель +В) и предохранитель корпуса) с указанным предельным током. Если предельный ток автоматического выключателя больше, чем необходимо, может произойти поломка или пожар.

1.4. Перед тестовым прогоном

- ⚠ Осторожно:**
- Включайте главный выключатель питания не позднее, чем за 12 часов до начала эксплуатации. Запуск прибора сразу после включения выключателя питания может серьезно повредить внутренние части.
 - Перед началом эксплуатации проверьте, что все пульты, щитки и другие защитные части правильно установлены. Вращающиеся, нагретые или находящиеся под напряжением части могут нанести травмы.
 - Не включайте кондиционер без установленного воздушного фильтра. Если воздушный фильтр не установлен, в приборе может накопиться пыль, что может привести к его поломке.

- Не прикасайтесь ни к каким выключателям влажными руками. Это может привести к поражению электрическим током.
- Не прикасайтесь к трубам с хладагентом голыми руками во время работы прибора.
- После остановки прибора обязательно подождите по крайней мере пять минут перед выключением главного выключателя питания. В противном случае возможна протечка воды или поломка прибора.

2. Место установки

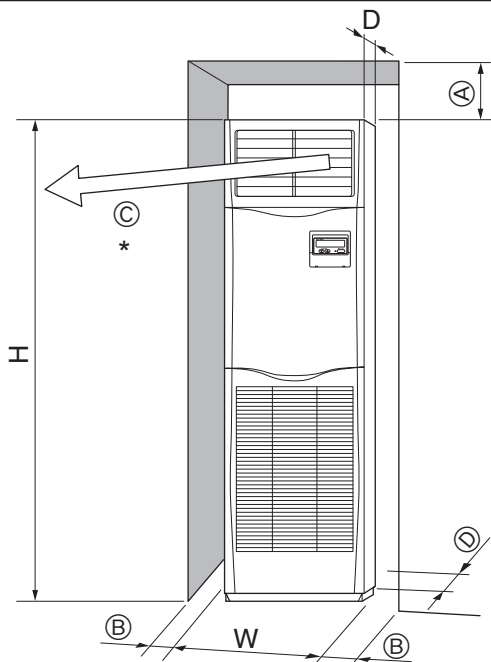


Fig. 2-1

3. Установка внутреннего прибора

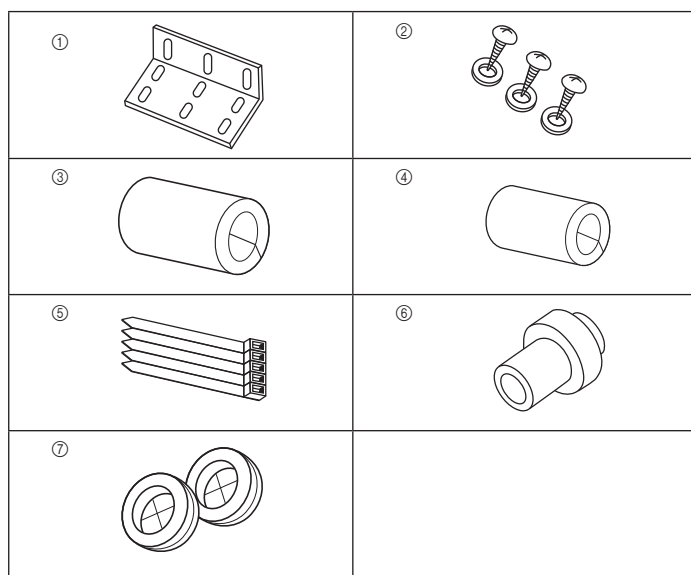


Fig. 3-1

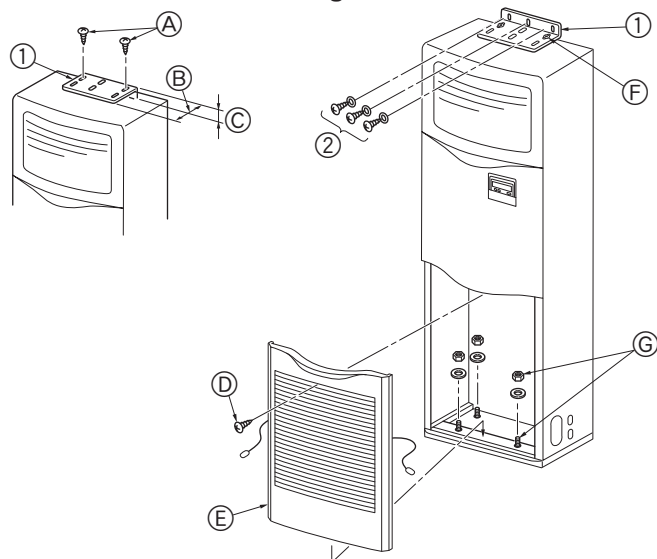


Fig. 3-2

2.1. Контурные габариты (Внутренний прибор) (Fig. 2-1)

Выберите надлежащее место, с учетом наличия следующего свободного пространства для установки и проведения техобслуживания.

Модели	W	D	H	A	ⓐ	ⓒ	ⓓ
71,100,125,140	600	360	1900	300	мин. 100	мин. 1000	мин. 5

(мм)

* Не размещайте никаких предметов на расстоянии до 1000 мм от воздуховыпускного отверстия.

⚠ Предупреждение:

Подвешивайте внутренний прибор на потолок, способный выдержать вес прибора.

3.1. Проверьте наличие дополнительных принадлежностей к внутреннему прибору

Внутренний прибор должен поставляться в комплекте со следующими запасными деталями и дополнительными принадлежностями.

Номер детали	Название приспособления	Кол-во	Место установки
①	Крепежный кронштейн для предотвращения опрокидывания прибора	1	Верхняя панель прибора
②	Самонарезающие винты (с шайбой)	3	Внутри воздухозаборной решетки
③	Теплоизоляция труб для газа (большая)	1	
④	Теплоизоляция труб для жидкости (малая)	1	
⑤	Лента	5	
⑥	Соединительная муфта для дренажа	1	
⑦	Втулка (вставляется в отверстие для электропровода)	2	

3.2. Крепежный кронштейн для предотвращения опрокидывания прибора (Fig. 3-2)

Для предотвращения опрокидывания прибора прикрепите крепежный кронштейн для предотвращения опрокидывания прибора к стене.

- ① Крепежный кронштейн для предотвращения опрокидывания прибора
 - Ⓐ Самонарезающие винты 4 × 10 (с шайбой)
 - Ⓑ Длинная грань прибора
 - Ⓒ Короткая грань прибора

Крепежный кронштейн для предотвращения опрокидывания прибора ① устанавливается на верхней панели прибора. Снимите самонарезающие винты ②, и затем по-новому установите кронштейн, как показано на рисунке. Точные значения расстояний, соблюдение которых необходимо при установке, приводится, на Fig. 3-3.

- ⓓ Винт
- ⓔ Снимите винт ④ и потяните решетку на себя, чтобы снять ее.

Пример крепежного кронштейна для предотвращения опрокидывания прибора

Если стена или пол изготовлены не из дерева, воспользуйтесь соответствующим устройством, таким, например, как серийно выпускаемым анкерным устройством для напрягаемой арматуры, для фиксирования прибора на месте.

- ② самонарезающие винты 4 × 25
- Ⓕ Зафиксируйте кронштейн на месте с помощью самонарезающих винтов ②.
- Ⓖ Низ прибора можно зафиксировать с помощью четырех анкерных болтов, приобретаемых на месте.

3. Установка внутреннего прибора

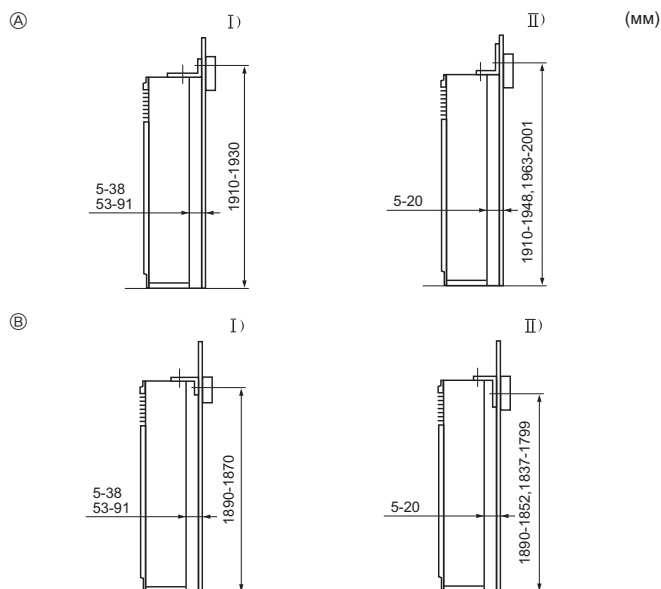


Fig. 3-3

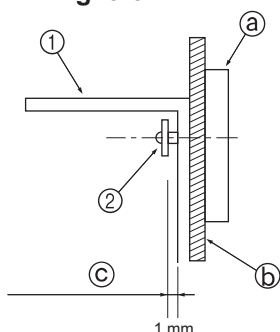


Fig. 3-4

3.3. Монтаж крепежного кронштейна для предотвращения опрокидывания прибора (Fig. 3-3)

- Выберите один из предлагаемых методов монтажа, в зависимости от высоты фриза внутри стены над уровнем пола.
- В случае, если основание фундамента изготовлено из непрочной стали, фриз обычно не используется, и поэтому кронштейн необходимо крепить к одной из опор или колонн (винты приобретаются на месте).
- Если к потолочной панели прибора будет крепиться труба для выхода воздуха, обязательно расположите крепежный кронштейн таким образом, чтобы длинная сторона кронштейна крепилась к стене. Это предотвратит блокирование пробивных отверстий в потолочной панели прибора или винтовых отверстий для крепления трубы выхода воздуха крепежным кронштейном.

- Ⓐ Крепежный кронштейн обращен вверх
- Ⓑ Крепежный кронштейн обращен вниз
 - 1) Короткая сторона кронштейна крепится к стене
 - II) Длинная сторона кронштейна крепится к стене

- Расстояние между прибором и стеной может варьироваться.
- Вертикальное измерение, представленное на рисунке, - это расстояние от поверхности пола до крепежных винтов кронштейна (центр фриза внутри данных пределов).

- Сначала прикрепите крепежный кронштейн к стене, и затем затяните винт таким образом, чтобы кронштейн мог плавно передвигаться вверх или вниз. (Fig. 3-4)

- ① Крепежный кронштейн для предотвращения опрокидывания прибора
- ② Самонарезающий винт
- Ⓐ Фриз
- Ⓑ Материал поверхности стены
- Ⓒ Зазор около 1 мм

Монтаж на полу

Снимите воздухозаборную решетку, откройте пробивные отверстия в основании прибора, предназначенные для монтажа прибора на полу, и прикрепите анкерные болты к полу.

4. Прокладка труб хладагента

4.1. Меры предосторожности

4.1.1. Для устройств, в которых используется хладагент R410A

- Используйте в качестве масла охлаждения для покрытия соединительных муфт масло сложного или простого эфира или алкилбензол (небольшое количество).
- Для соединения медных или медносплавных бесшовных труб, предназначенных для хладагента, используйте медный фосфор С1220. Используйте трубы для хладагента соответствующей толщины для каждого случая; значения толщины приведены в таблице ниже. Удостоверьтесь, что изнутри трубы чисты и не содержат никаких вредных загрязнителей, таких, как соединения серы, окислители, мелкий мусор или пыль.

⚠ Предупреждение:

При монтаже или перемещении, а также при обслуживании кондиционера используйте только указанный хладагент (R410A) для заполнения трубопроводов хладагента. Не смешивайте его ни с каким другим хладагентом и не допускайте наличия воздуха в трубопроводах.

Наличие воздуха в трубопроводах может вызывать скачки давления, в результате которых может произойти взрыв или другие повреждения.

Использование любого хладагента, отличного от указанного для этой системы, вызовет механическое повреждение, сбой в работе системы, или выход устройства из строя. В наихудшем случае, это может послужить серьезной преградой к обеспечению безопасной работы этого изделия.

Труба для жидкости	ø9,52 толщина 0,8 мм
Труба для газа	ø15,88 толщина 1,0 мм

- Не используйте трубы более тонкие, чем указано выше.

4. Прокладка труб хладагента

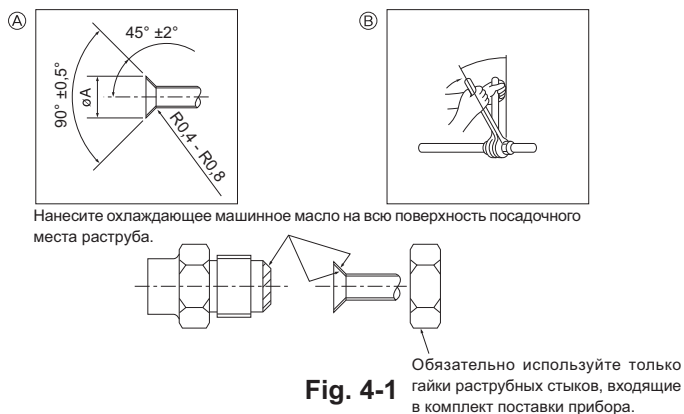


Fig. 4-1

А Раструбный стык - размеры

Медная труба O.D. (мм)	Размеры раструба, диаметр А (мм)
ø9,52	12,8 - 13,2
ø15,88	19,3 - 19,7

Б Момент затяжки гайки раструбного стыка

Медная труба O.D. (мм)	Момент затяжки (Н•м)	Угол затяжки (Рекомендация)
ø9,52	34 - 42	60° - 90°
ø15,88	66 - 82	30° - 60°

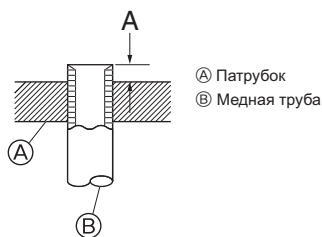


Fig. 4-2

Медная труба O.D. (мм)	A (мм)
	Инструмент раструбного стыка для R410A
	Тип муфты
ø9,52 (3/8")	0 - 0,5
ø15,88 (5/8")	0 - 0,5

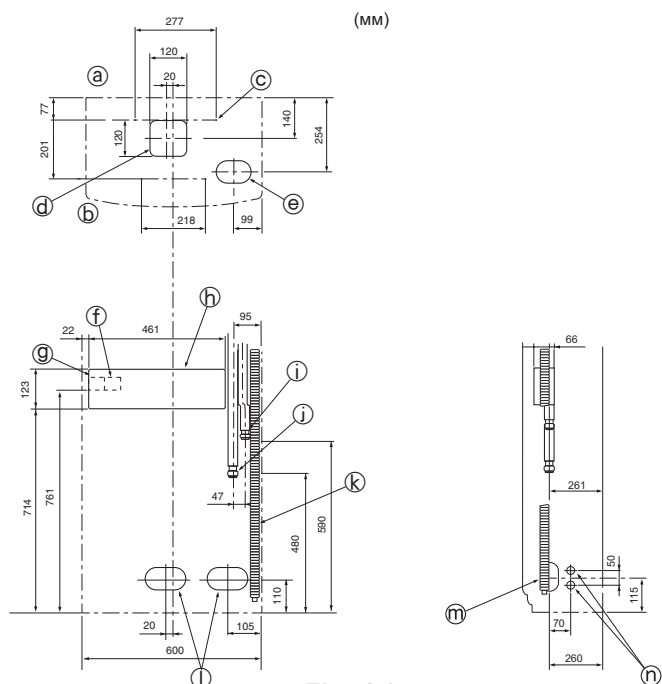


Fig. 4-3

4.2. Внутренний прибор (Fig. 4-1)

- При использовании медных труб, имеющихся в продаже, оберните трубы для жидкости и газа имеющимися в продаже изоляционными материалами (с теплозащитой от 100 °C или выше, толщиной не менее 12 мм).
- Внутренняя часть дренажной трубы должна быть обернута в пенополиэтиленовый изолирующий материал (удельный вес 0,03; толщина 9 мм или более).
- Нанесите тонкий слой масла хладагента на контактную поверхность труб и соединений перед тем, как затягивать гайку с фланцем.
- Для затягивания трубных соединений используйте два гаечных ключа.
- Используйте детектор утечки или мыльный раствор для проверки утечки газа после завершения всех соединений.
- Используйте поставленное изоляционное трубное покрытие для изоляции соединений внутреннего прибора. Тщательно крепите изоляцию, следуя приведенным ниже инструкциям.
- Используйте надлежащие гайки раструбного стыка, подходящие к размеру трубы наружного прибора.

Имеющийся размер трубы

Сторона жидкости	ø9,52
Сторона газа	ø15,88

⚠ Предупреждение:

При установке прибора надежно подсоедините трубы подачи охлаждающей жидкости до запуска компрессора.

4.3. Расположение труб хладагента и дренажных труб (Fig. 4-3)

В местах, где на схеме указываются пробивные отверстия, вырежьте их вдоль углубления пильным диском (полотном).

Не вырезайте отверстие большего размера, чем указанные углубления.

- а Задняя панель
- б Передняя панель
- в Пробивное отверстие для монтажа: отверстие диаметром 4-10 мм
- д * пробивное отверстие для соединений под прибором
- е Пробивное отверстие 120 × 120 для соединений под прибором
- ф Терминалы соединения Внутреннего/наружного приборов
- г Клеммы питания
- h Электроробка
- и Труба для жидкости
- j Труба для газа
- к Выход дренажной трубы диаметром ф26 <Соединение трубы VP20 из полихлорвинила>
- л 140 × 80
- м Пробивное отверстие для труб хладагента, дренажных труб и электропроводки
- н 90 × 60
- о Пробивное отверстие для труб хладагента и дренажных труб
- п Пробивное отверстие диаметром 27 мм для электропроводки (подобное отверстие есть и на левой стороне)

4. Прокладка труб хладагента

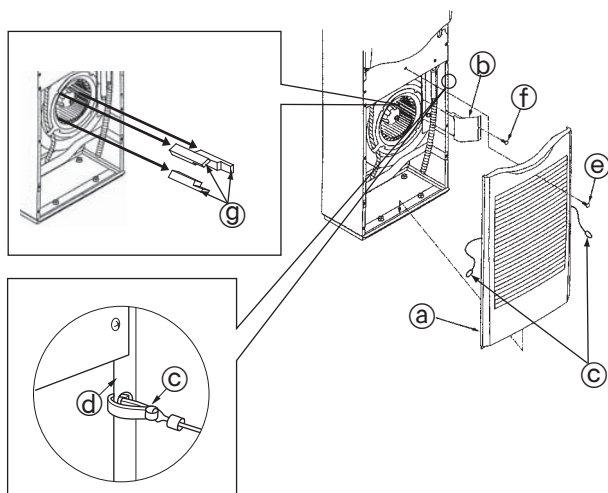


Fig. 4-4

Соединения труб хладагента (Fig. 4-4)

1. Снимите винт с ручки воздухозаборной решетки и затем, потянув решетку вверх на себя, снимите ее.
2. Снимите самонарезающий винт, фиксирующий трубодержатель, и затем снимите трубодержатель.
3. Удалите подкладки.
 - Перед использованием внутреннего прибора обязательно удалите три подкладки с вентилятора.
 - После завершения работ всегда устанавливайте на место снятые ранее детали.
 - Во время установки на место снятых ранее деталей, зацепите крючки за отверстия в торцах панелей.

- Ⓐ Воздухозаборная решетка
- Ⓑ Трубодержатель
- Ⓒ Подвеска
- Ⓓ Боковая панель
- Ⓔ Винт
- Ⓕ Самонарезающий винт 4 × 10
- Ⓖ Подкладка

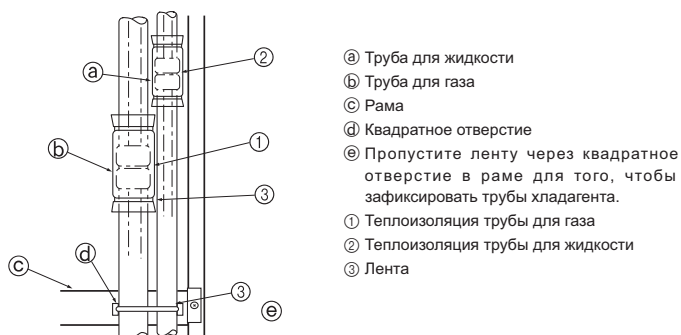


Fig. 4-5

Полностью изолируйте фланцевые соединения ① и ② труб для газа и труб хладагента. Если любая часть соединений не будет изолирована, возможно капание конденсации. (Fig. 4-5)

- Прикрепите теплоизоляцию трубы для газа ① и теплоизоляцию трубы для жидкости ② с обоих концов для предотвращения ее соскальзывания и выровняйте их по отношению друг к другу.
- После завершения установки теплоизоляции на трубы, с помощью ленты ③ прикрепите трубу хладагента к раме (в точке ниже трубного соединения). Это предотвратит приподнятие трубы хладагента над рамой.
- (Если труба хладагента приподнята над рамой, Вы не сможете установить решетку на место).
- После подсоединения труб хладагента к внутреннему прибору обязательно проверьте соединения труб на утечку газа с помощью азота. (Проверьте отсутствие утечки хладагента из труб хладагента во внутренний прибор.)
- Выполните тест на герметичность перед соединением запорного крана на наружном приборе и трубы хладагента.
- При выполнении данного теста после соединения крана и трубы, газ, используемый для проведения теста, будет вытекать из запорного крана и течь в наружный прибор, что приведет к ошибкам в работе.

5. Дренажные трубы

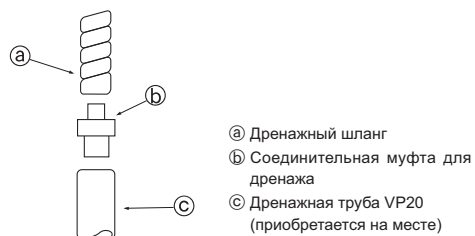


Fig. 5-1

5.1. Прокладка дренажных труб (Fig. 5-1)

- Установите дренажную трубу под наклоном вниз (1/100 или более).
- Для дренажа используйте трубы из поливинилхлорида VP20 (с наружным диаметром $\varnothing 26$, PVC TUBE).
- Длину дренажного шланга регулируйте на месте, используя обычный нож для отрезания участка шланга нужной длины.
- При подсоединении к VP20, воспользуйтесь специальной дополнительной принадлежностью - соединительной муфтой для дренажа ⓑ. Для предотвращения утечек надежно прикрепите муфту к трубе с помощью клея типа ПВХ.
- Запрещается выводить дренажную трубу в места возможного скопления серосодержащих газов (например, в канализационный коллектор).
- Убедитесь в отсутствии утечек воды в местах соединения дренажных труб.
- Если дренажная труба проходит по помещению, оберните ее поверхность серийно выпускаемым теплоизоляционным материалом (пена полиэтилена с удельной массой 0,03 и толщиной не менее 9 мм), и затем обмотайте его поверхность лентой. Это предотвратит проникновение воздуха и образование конденсации.

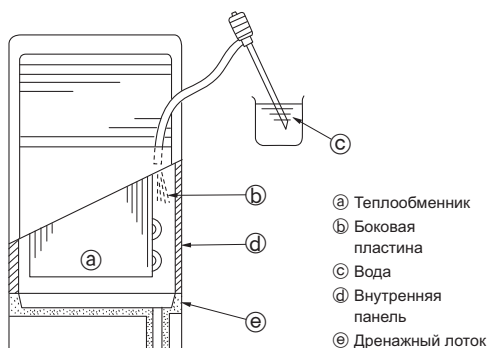
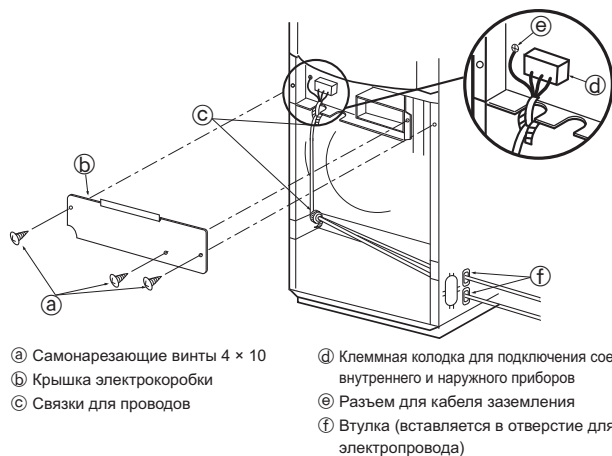


Fig. 5-2

5.2. Проверка дренажа (Fig. 5-2)

- После прокладки труб, убедитесь в надлежащем дренировании отработанной воды и отсутствии утечек в местах трубных соединений (данные проверки также необходимо выполнять во время отопительного сезона).
- Вставьте насос водозабора с правой стороны порта выхода воздуха и закачайте приблизительно 1 л. воды в прибор.
- Производите закачку осторожно, в сторону боковой пластины теплообменника или внутренней панели прибора.
- Всегда закачивайте воду с правой стороны порта выхода воздуха.
- Если прибор оснащен функцией обогрева, обогреватель крепится к передней панели теплообменника – поэтому следите за тем, чтобы вода не попала в обогреватель.

6. Электрические работы



6.1. Электрические работы (Fig. 6-1)

1. Снимите самонарезающие винты (a), затем снимите крышку электрокоробки (b).
 2. Соедините электропровода надежным образом с соответствующими клеммами.
 3. Зафиксируйте провода (c) связками (c).
- Всегда заземляйте провода (диаметр провода заземления должен составлять не менее 1,6 мм).
 - В случае соприкосновения электропроводки с трубами, возможно попадание воды на провода. Всегда следите за правильностью проведения электропроводов.
 - Закрепите силовой кабель в коробке управления, воспользовавшись буферной втулкой для использования в местах воздействия растягивающей силы (соединение PG или подобное).
 - После завершения работ, всегда устанавливайте на место ранее снятые детали.
 - Подробные инструкции по обратной установке воздухозаборной решетки см. на стр. 127.

⚠ Предупреждение:
Никогда не подсоединяйте внахлест силовой кабель или соединительный кабель внешнего питания. Это может привести к задымлению, возгоранию или неисправности.

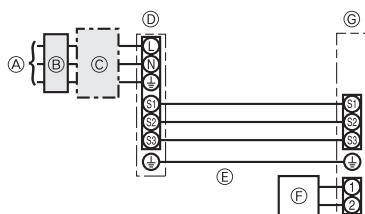
Fig. 6-1

6.1.1. Питание на внутренний прибор подается от наружного прибора

Имеются следующие шаблоны подключения.

Конструкция блока питания внешнего прибора зависит от модели.

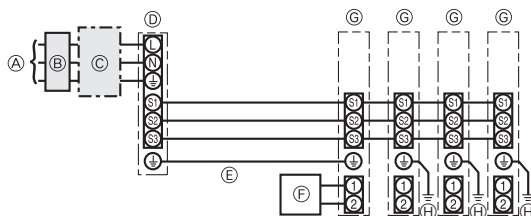
Система 1:1



- Ⓐ Источник электропитания наружного прибора
- Ⓑ Прерыватель утечки на землю
- Ⓒ Прерыватель проводной цепи или изолирующий выключатель
- Ⓓ Наружный прибор
- Ⓔ Соединительные провода внутреннего прибора/наружного прибора
- Ⓕ Пульт дистанционного управления
- Ⓖ Внутренний прибор

* Прикрепите бирку А, прилагаемую к руководствам, около каждой схемы подключения для внутреннего и наружного приборов.

Одновременная двойная/тройная/четверная система



- Ⓐ Источник электропитания наружного прибора
- Ⓑ Прерыватель утечки на землю
- Ⓒ Прерыватель проводной цепи или изолирующий выключатель
- Ⓓ Наружный прибор
- Ⓔ Соединительные провода внутреннего прибора/наружного прибора
- Ⓕ Пульт дистанционного управления
- Ⓖ Внутренний прибор
- Ⓗ Заземление внутреннего прибора

* Прикрепите бирку А, прилагаемую к руководствам, около каждой схемы подключения для внутреннего и наружного приборов.

Электропровода Провод No. x размер (мм²)	Внутренний прибор-Наружный прибор	*1	3 × 1,5 (полярный)
Заземление внутреннего прибора			1 × Мин.1,5
Пульт дистанционного управления - Внутренний прибор	*2		2 × 0,3 (неполярный)
Мощность цепи	Внутренний прибор (Обогреватель) L-N	*3	-
	Внутренний прибор-Наружный прибор S1-S2	*3	AC 230 V
	Внутренний прибор-Наружный прибор S2-S3	*3	DC24 V
	Пульт дистанционного управления - Внутренний прибор	*3	DC12 V

*1. <Для внешних приборов типов 25-140>

Макс. 45 м

Если используется 2,5 мм², макс. 50 м

Если используется 2,5 мм² и отдельный S3, макс. 80 м

<Для внешнего прибора типа 200/250>

Макс. 18 м

Если используется 2,5 мм², макс. 30 м

Если используется 4 мм² и отдельный S3, макс. 50 м

Если используется 6 мм² и отдельный S3, макс. 80 м

*2. К аксессуару пульта дистанционного управления прилагается провод 10 м. Макс. 500 м

*3. Величины HE всегда измерены относительно земли.

Разница потенциалов выводов S3 и S2 составляет 24 В постоянного тока. Между выводами S3 и S1 нет электрической изоляции с помощью трансформатора или другого устройства.

Примечания:

1. Диаметр проводов должен соответствовать применимым местным и национальным нормам.
2. Силовые кабели и кабели соединения Внутреннего/Наружного прибора не должны быть легче экранированного гибкого провода из полихлоропрена (модель 60245 IEC 57).
3. Длина устанавливаемого кабеля заземления должна превышать длину других кабелей.

6. Электрические работы

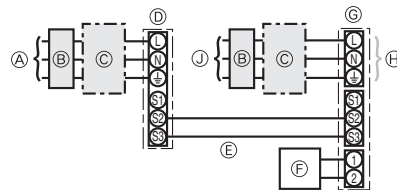
6.1.2. Отдельные источники электропитания для внутреннего прибора/наружного прибора (Только для применения PUNZ)

Имеются следующие шаблоны подключения.

Конструкция блока питания внешнего прибора зависит от модели.

Система 1:1

* Требуется дополнительный сменный комплект проводки.

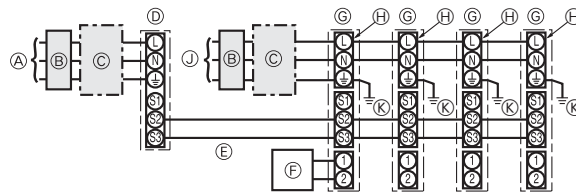


- А Источник электропитания наружного прибора
- В Прерыватель утечки на землю
- С Прерыватель проводной цепи или изолирующий выключатель
- Д Наружный прибор
- Е Соединительные провода внутреннего прибора/наружного прибора
- Ф Пульт дистанционного управления
- Г Внутренний прибор
- Н Дополнительно
- J Источник электропитания внутреннего прибора

* Прикрепите бирку В, прилагаемую к руководствам, около каждой схемы подключения для внутреннего и наружного приборов.

Одновременная двойная/тройная/четверная система

* Требуется дополнительные комплекты для замены проводов.

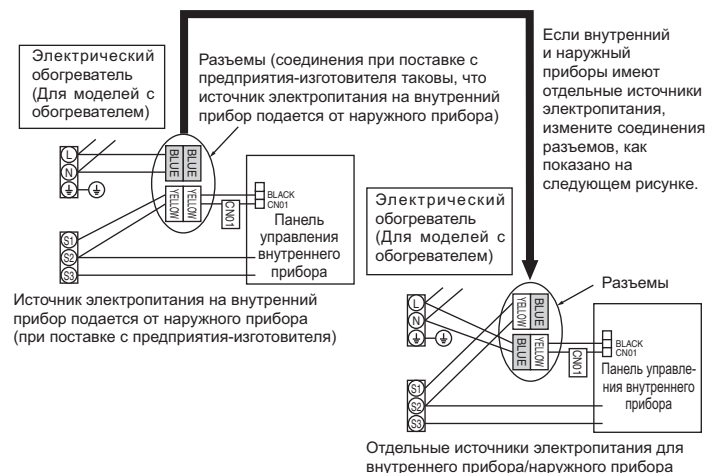


- А Источник электропитания наружного прибора
- В Прерыватель утечки на землю
- С Прерыватель проводной цепи или изолирующий выключатель
- Д Наружный прибор
- Е Соединительные провода внутреннего прибора/наружного прибора
- Ф Пульт дистанционного управления
- Г Внутренний прибор
- Н Дополнительно
- J Источник электропитания внутреннего прибора
- К Заземление внутреннего прибора

* Прикрепите бирку В, прилагаемую к руководствам, около каждой схемы подключения для внутреннего и наружного приборов.

Если у внутреннего и наружного приборов различные источники электропитания, см. таблицу ниже. Если используется дополнительный сменный комплект проводки, измените проводку распределительной коробки внутреннего прибора в соответствии с рисунком справа и настройки микропереключателя панели управления наружного прибора.

	Спецификации внутреннего прибора								
Комплект клемм источника электропитания внутреннего прибора (дополнительно)	Требуется								
Изменение соединения разъема распределительной коробки внутреннего прибора	Требуется								
Бирка, прикрепленная около каждой схемы подключения для внутреннего и наружного приборов	Требуется								
Настройка микропереключателя наружного прибора (только при использовании отдельных источников электропитания для внутреннего прибора/наружного прибора)	<table border="1"> <tr> <td>ON</td> <td></td> <td></td> <td>3</td> </tr> <tr> <td>OFF</td> <td>1</td> <td>2</td> <td></td> </tr> </table> (SW8)	ON			3	OFF	1	2	
ON			3						
OFF	1	2							



* Имеется три типа бирок (бирки А, В и С). Прикрепите соответствующие бирки к блокам в соответствии с методом подключения проводки.

Электропитание внутреннего прибора		~/N (однофазный), 50 Hz, 230 V
Входная мощность внутреннего прибора		*1 16 A
Главный выключатель (Прерыватель)		
Электропроводка Провод No. x размер (мм²)	Электропитание внутреннего прибора	2 x Мин. 1,5
	Заземление питания внутреннего прибора	1 x Мин. 1,5
	Внутренний прибор-Наружный прибор	*2 2 x Мин. 0,3
	Заземление внутреннего/наружного прибора	-
Мощность цепи	Пульт дистанционного управления - Внутренний прибор	*3 2 x 0,3 (неполярный)
	Внутренний прибор L-N	*4 AC 230 V
	Внутренний прибор-Наружный прибор S1-S2	*4 -
	Внутренний прибор-Наружный прибор S2-S3	*4 DC24 V
	Пульт дистанционного управления - Внутренний прибор	*4 DC12 V

*1. Используйте неплавкий предохранитель (NF) или выключатель тока утечки на землю (NV) с расстоянием между контактами по крайней мере 3 мм для каждого полюса.

*2. Макс. 120 м

*3. К аксессуару пульта дистанционного управления прилагается провод 10 м. Макс. 500 м

*4. Величины НЕ всегда измерены относительно земли.

- Примечания:
- Диаметр проводов должен соответствовать применимым местным и национальным нормам.
 - Силовые кабели и кабели соединения Внутреннего/Наружного прибора не должны быть легче экранированного гибкого провода из полихлоропрена (модель 60245 IEC 57).
 - Длина устанавливаемого кабеля заземления должна превышать длину других кабелей.

6. Электрические работы

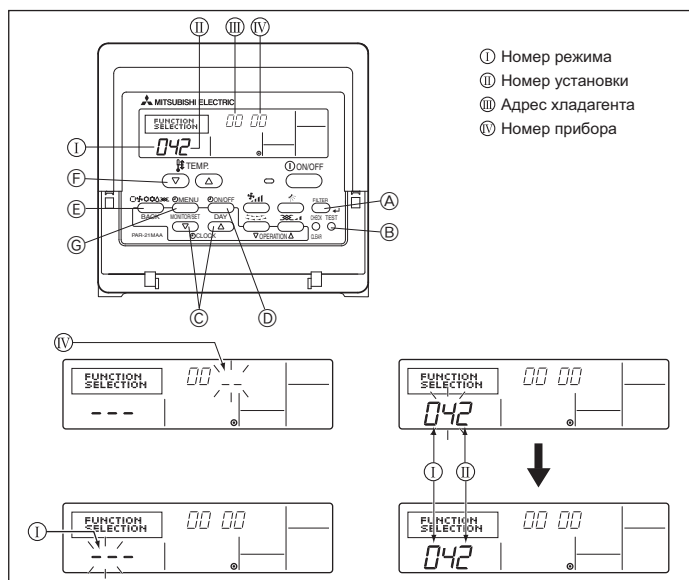


Fig. 6-2

6.2. Установки функций

6.2.1. Функциональная настройка прибора (Fig. 6-2)

Изменение установки напряжения питания

- Обязательно измените установку напряжения питания в зависимости от напряжения в используемой сети.

1. Перейдите в режим установки функций. Выключите пульт дистанционного управления. Одновременно нажмите кнопки (A) и (E) и удерживайте их в нажатом состоянии не менее 2 секунд. Начнет мигать индикация FUNCTION.
2. С помощью кнопки (C) установите адрес хладагента (III) на 00.
3. Нажмите (D), и на дисплее номера прибора (IV) замигает индикация [--].
4. С помощью кнопки (C) настройте номер прибора (IV) на 00.
5. Нажмите кнопку (E) MODE (РЕЖИМ) для того, чтобы присвоить значение адреса хладагента/номера прибора. В течение нескольких секунд на дисплее номера режима (I) замигает индикация [--].
6. Нажатием кнопки (E) установите номер режима (I) на 04.
7. Нажмите кнопку (C), и на дисплее замигает текущая настройка номера установки (II). С помощью кнопки (E) переключите номер установки в соответствии с напряжением в используемой сети электропитания.
Напряжение в сети электропитания
240 В : номер установки = 1
220 В, 230 В : номер установки = 2
8. Нажмите кнопку (E), и режим и номер установки (I) и (II) переключатся в состояние постоянного отображения на дисплее, что позволит подтвердить содержание настройки.
9. Одновременно нажмите кнопку (A) FILTER (ФИЛЬТР) и кнопку (E) TEST RUN (ПРОБНЫЙ ПРОГОН) и удерживайте их в течение приблизительно двух секунд. Через несколько секунд исчезнет индикация выбора функций, и на дисплее загорится индикация OFF (ВЫКЛ.) кондиционера воздуха.

6.2.2. Функциональная настройка на пульте дистанционного управления

См. руководство по эксплуатации внутреннего прибора.

Таблица функций

Выберите номер прибора 00

Режим	Установки	Номер режима	Номер установки	Первоначальная настройка	Установка
Автоматическое восстановление после сбоя питания	Отсутствует	01	1	*2	
	Имеется		2	*2	
Определение температуры в помещении	Средняя величина при работе внутреннего прибора	02	1	○	
	Устанавливается с пульта дистанционного управления внутреннего прибора		2		
	Внутренний датчик пульта дистанционного управления		3	—	
Подсоединяемость LOSSNAY	Не поддерживается	03	1	○	
	Поддерживается (внутренний прибор не оборудован механизмом всасывания наружного воздуха)		2		
	Поддерживается (внутренний прибор оборудован механизмом всасывания наружного воздуха)		3		
Напряжение в сети электропитания	240 В	04	1		
	220 В, 230 В		2	○	

Выберите номера прибора от 01 до 03 или все приборы (AL [проводной пульт дистанционного управления]/07 [беспроводной пульт дистанционного управления])

Режим	Установки	Номер режима	Номер установки	Первоначальная настройка	Установка
Знак фильтра	100 часов	07	1		
	2500 часов		2	○	
	Нет индикатора знака фильтра		3		
Скорость вентилятора	Бесшумный	08	1		
	Стандартный		2	○	
	—		3	—	

*1 При возобновлении подачи электропитания кондиционер запустится через 4 минуты.

*2 Первоначальная настройка устройства автоматического включения после сбоя электропитания зависит от схемы подсоединения внешнего прибора.

7. Выполнение испытания

7.1. Перед пробным прогоном

- ▶ После завершения установки, прокладки труб и электропроводки внутреннего и наружного приборов проверьте отсутствие утечки хладагента, слабых соединений кабеля питания или проводов управления и неправильной полярности, а также убедитесь, что все фазы питания подключены.
- ▶ Измерьте сопротивление между терминалами источника электропитания и заземлением с использованием 500-вольтного меггера и убедитесь, что сопротивление составляет не менее 1,0 МΩ.

- ▶ Запрещается выполнять этот замер на терминалах проводов управления (цепь низкого напряжения).

⚠ Предупреждение:

Не пользуйтесь кондиционером воздуха, если сопротивление изоляции ниже 1,0 МΩ.

Сопротивление изоляции

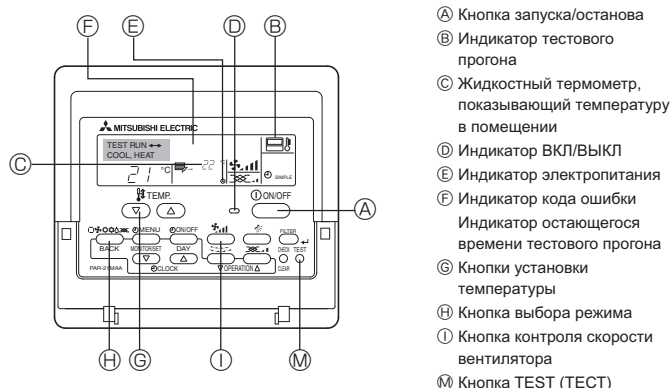


Fig. 7-1

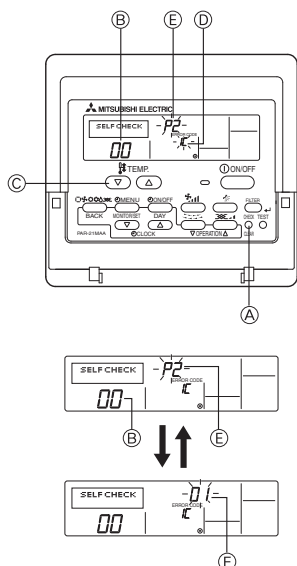


Fig. 7-2

7.2. Выполнение испытания

Возможны 2 способа.

7.2.1. Использование проводного пульта дистанционного управления (Fig. 7-1)

- ① Включите питание по крайней мере за 12 часов до начала пробного прогона.
- ② Дважды нажмите кнопку [TEST]. ⇒ "TEST RUN" на ЖК-дисплее
- ③ Нажмите кнопку [Mode selection] (Выбор режима). ⇒ Убедитесь в том, что воздух выдувается.
- ④ Нажмите кнопку [Mode selection] (Выбор режима) и переключитесь на режим охлаждения (или обогрева). ⇒ Убедитесь в том, что выдувается холодный (или теплый) воздух.
- ⑤ Нажмите кнопку [Fan speed] (Скорость воздушного потока). ⇒ Убедитесь в том, что скорость воздушного потока переключилась.
- ⑥ Проверьте работу вентилятора наружного прибора.
- ⑦ Выключите пробный прогон нажатием кнопки [ON/OFF]. ⇒ Стоп
- ⑧ Введите телефонный номер.

Телефонный номер ремонтной мастерской, отдела продаж и т.д., по которому можно связаться при появлении ошибки, необходимо записать в пульт дистанционного управления. Телефонный номер отобразится при возникновении ошибки. Процедуры ввода приводятся в руководстве по эксплуатации внутреннего прибора.

7.2.2. Использование SW4 в наружном блоке

Смотрите руководство по установке наружного прибора.

7.3. Самодиагностика (Fig. 7-2)

- ① Включите питание.
- ② Дважды нажмите кнопку [CHECK].
- ③ С помощью кнопки [TEMP] установите адрес системы охлаждения (если используется системный пульт управления).
- ④ Нажмите кнопку [ON/OFF] для прекращения самопроверки.

- A Кнопка CHECK
 B Адрес системы охлаждения
 C Кнопка TEMP
 D IC: внутренний блок
 E ОС: наружный блок
 F Код проверки
 G Адрес блока

[Шаблон вывода A] Ошибки, обнаруженные внутренним прибором

Код проверки	Признак	Примечание
P1	Ошибка впускного датчика	
P2	Ошибка датчика трубы (TH2)	
P9	Ошибка датчика трубы (TH5)	
E6, E7	Ошибка связи между внутренним/наружным прибором	
P4	Ошибка дренажного датчика	
P5	Ошибка дренажного насоса	
P6	Работа в режиме защиты от обледенения/перегрева	
EE	Ошибка связи между внутренним и наружным приборами	
P8	Ошибка температуры трубы	
E4	Ошибка получения сигнала пульта дистанционного управления	
-	-	
-	-	
PL	Неадекватное функционирование контура хладагента	
Fb	Ошибка системы управления внутренним прибором (ошибка памяти и т.д.)	
--	Не соответствует	

7. Выполнение испытания

[Шаблон вывода В] Ошибки, обнаруженные прибором, кроме внутреннего прибора (наружный прибор и т.д.)

Код проверки	Признак	Примечание
E9	Ошибка связи внутреннего/наружного прибора (Ошибка передачи) (Наружный прибор)	Подробнее см. ЖК-дисплей платы наружного контроллера.
UP	Прерывание компрессора по перегрузке по току	
U3, U4	Размыкание/короткое замыкание термисторов наружного прибора	
UF	Прерывание компрессора по перегрузке по току (Когда компрессор заблокирован)	
U2	Ненормально высокая температура нагнетания/49C сработало/недостаточно хладагента	
U1, Ud	Ненормально высокое давление (63Н сработало)/Работа в режиме защиты от перегрева	
U5	Ненормальная температура тепловода	
U8	Аварийный останов вентилятора наружного прибора	
U6	Прерывание компрессора по перегрузке по току/Неисправность в модуле электропитания	
U7	Ненормально высокое тепло по причине низкой температуры нагнетания	
U9, UN	Неисправность, например, перенапряжение или недостаток напряжения и ненормальный синхронный сигнал к главной цепи/Ошибка датчика тока	
-	-	
-	-	
Прочее	Другие ошибки (См. техническое руководство наружного прибора.)	

- На проводном пульте дистанционного управления Проверьте код, отображенный на ЖК-дисплее.

- Если прибор не работает должным образом после проведения пробного прогона, устраните неисправность, обратившись к нижеприведенной таблице.

Симптом		Причина
Проводной пульт дистанционного управления	СИД 1, 2 (печатная плата на наружном приборе)	
PLEASE WAIT	В течение приблизительно 2 минут после включения питания.	После загорания СИД 1, 2, СИД 2 выключается, горит только СИД 1. (Правильная работа)
PLEASE WAIT → Код ошибки	По истечении приблизительно 2 минут после включения питания.	Горит только СИД 1. → СИД 1, 2 мигают.
Сообщения об ошибках не выводятся на дисплей, даже если выключатель работы находится в положении ON (Вкл.) (не горит лампочка работы).		Горит только СИД 1. → СИД 1 мигает дважды, СИД 2 мигает один раз.

Примечание:

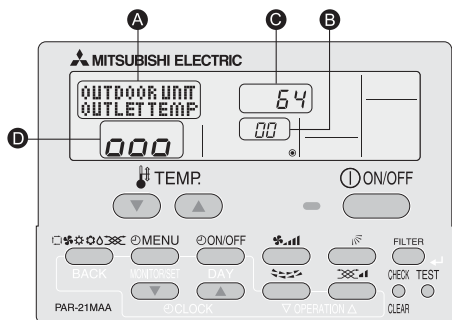
В течение приблизительно 30 секунд после отмены выбора функции управление невозможно. (Правильная работа)

Описание каждого СИДа (СИД1, 2, 3) на пульте управления внутреннего прибора приводится в таблице ниже.

СИД 1 (питание микрокомпьютера)	Показывает наличие питания системы управления. Убедитесь в том, что данный СИД горит постоянно.
СИД 2 (питание пульта дистанционного управления)	Показывает наличие питания пульта дистанционного управления. Данный СИД загорается только в том случае, когда внутренний прибор подсоединен к адресу "0" хладагента наружного прибора.
СИД 3 (связь между внутренним и наружным приборами)	Показывает состояние связи между внутренним и наружным приборами. Убедитесь в том, что данный СИД мигает постоянно.

8. Функция простого техобслуживания

Пример дисплея (Температура нагнетания компрессора 64 °C)



Используя режим техобслуживания, можно выводить на дисплей пульта дистанционного управления различные типы данных по техобслуживанию, например, температуру теплообменника и текущее потребление компрессора для внутреннего и наружного приборов.

Эту функцию можно использовать как при работающем, так и при выключенном кондиционере.

При кондиционировании воздуха данные можно проверить либо при обычной эксплуатации, либо при стабильной работе в режиме техобслуживания.

* Эту функцию нельзя использовать при пробном прогоне.

* Наличие данной функции зависит от подключения наружного прибора. См. буклеты.

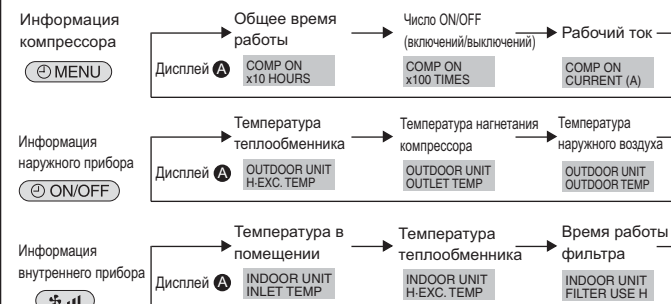
Процедуры работы в режиме техобслуживания

(1) Нажмите и удерживайте в течение трех секунд кнопку **TEST** для включения режима техобслуживания. Дисплей **A** **MAINTENANCE**

(2) Нажмите **TEMP.(ТЕМП.)** кнопки для настройки адреса хладагента.

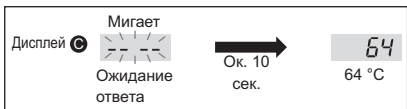
Дисплей **B** **00** ↔ **01** **15**

(3) Выберите данные, которые необходимо отобразить.



(4) Нажмите кнопку **FILTER**.

(5) Данные отображаются в **C**. (Пример дисплея температуры воздушного потока)



* Повторите шаги со (2) по (5) для проверки другой даты.

(6) Нажмите и удерживайте в течение трех секунд кнопку **TEST** или нажмите кнопку **ON/OFF**, чтобы отключить режим техобслуживания.

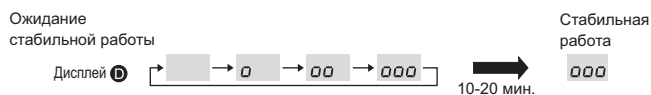
Стабильная работа

Используя режим техобслуживания можно зафиксировать рабочую частоту, что приведет к стабилизации работы. Если кондиционер остановлен, используйте следующую процедуру, чтобы начать данную операцию.

Нажмите кнопку **MODE** для выбора режима работы.



Нажмите кнопку **FILTER**.



* Данные можно проверить, выполнив шаги с (3) по (5) процедур по работе в режиме техобслуживания, ожидая стабильной работы.

This product is designed and intended for use in the residential,
commercial and light-industrial environment.

- The product at hand is based on the following EU regulations:
- Low Voltage Directive 73/23/EEC
 - Electromagnetic Compatibility Directive 89/336/EEC
 - Machinery Directive 2006/42/EC
 - Energy-related Products Directive 2009/125/EC *
 - * Only RP71/100
 - RoHS 2011/65/EU

Please be sure to put the contact address/telephone number on
this manual before handing it to the customer.

MITSUBISHI ELECTRIC CORPORATION

HEAD OFFICE: TOKYO BLDG., 2-7-3, MARUNOUCHI, CHIYODA-KU, TOKYO 100-8310, JAPAN