

# Air-Conditioners

## PLA-RP·BA Series

## PLA-ZRP·BA Series

## PLA-SP·BA Series

### INSTALLATION MANUAL

For safe and correct use, read this manual and the outdoor unit installation manual thoroughly before installing the air-conditioner unit.

**FOR INSTALLER**

### INSTALLATIONSHANDBUCH

Aus Sicherheitsgründen und zur richtigen Anwendung vor Installation der Klimaanlage die vorliegende Bedienungsanleitung und das Installationshandbuch gründlich durchlesen.

**FÜR INSTALLATEURE**

### MANUEL D'INSTALLATION

Avant d'installer le climatiseur, lire attentivement ce manuel, ainsi que le manuel d'installation de l'appareil extérieur pour une utilisation sûre et correcte.

**POUR L'INSTALLATEUR**

### INSTALLATIEHANDLEIDING

Lees deze handleiding en de installatiehandleiding van het buitenapparaat zorgvuldig door voordat u met het installeren van de airconditioner begint.

**VOOR DE INSTALLATEUR**

### MANUAL DE INSTALACIÓN

Para un uso seguro y correcto, lea detalladamente este manual de instalación antes de montar la unidad de aire acondicionado.

**PARA EL INSTALADOR**

### MANUALE DI INSTALLAZIONE

Per un uso sicuro e corretto, prima di installare il condizionatore d'aria leggere attentamente il presente manuale ed il manuale d'installazione dell'unità esterna.

**PER L'INSTALLATORE**

### ΕΓΧΕΙΡΙΔΙΟ ΟΔΗΓΙΩΝ ΕΓΚΑΤΑΣΤΑΣΗΣ

Για σωστή και ασφαλή χρήση, διαβάστε προσεκτικά αυτό το εγχειρίδιο, καθώς και το εγχειρίδιο εγκατάστασης της εξωτερικής μονάδας, πριν από την εγκατάσταση της μονάδας κλιματιστικού.

**ΓΙΑ ΑΥΤΟΝ ΠΟΥ ΚΑΝΕΙ ΤΗΝ ΕΓΚΑΤΑΣΤΑΣΗ**

### MANUAL DE INSTALAÇÃO

Para uma utilização segura e correcta, leia atentamente este manual e o manual de instalação da unidade exterior antes de instalar o aparelho de ar condicionado.

**PARA O INSTALADOR**

### INSTALLATIONSMANUAL

Læs af sikkerhedshensyn denne manual samt manualen til installation af udendørsenheden grundigt, før du installerer klimaanlægget.

**TIL INSTALLATØREN**

### INSTALLATIONSMANUAL

Läs bruksanvisningen och utomhusenhetens installationshandbok noga innan luftkonditioneringen installeras så att den används på ett säkert och korrekt sätt.

**FÖR INSTALLATÖREN**

### MONTAJ ELKİTABI

Emniyetli ve doğru kullanım için, klima cihazını monte etmeden önce bu kılavuzu ve dış ünite montaj kılavuzunu tamamiyla okuyun.

**MONTÖR İÇİN**

### РУКОВОДСТВО ПО УСТАНОВКЕ

Для обеспечения безопасной и надлежащей эксплуатации внимательно прочтите данное руководство и руководство по установке наружного прибора перед установкой кондиционера.

**ДЛЯ УСТАНОВИТЕЛЯ****English****Deutsch****Français****Nederlands****Español****Italiano****Ελληνικά****Português****Dansk****Svenska****Türkçe****Русский**

# Contents

1. Safety precautions.....	2	6. Electrical work.....	7
2. Installation location.....	3	7. Test run.....	13
3. Installing the indoor unit.....	3	8. System control.....	16
4. Installing the refrigerant piping.....	5	9. Installing the grille.....	17
5. Drainage piping work.....	6	10. Easy maintenance function.....	19

**Note:**  
The phrase “Wired remote controller” in this installation manual refers only to the PAR-31MAA.  
If you need any information for the other remote controller, please refer to either the installation manual or initial setting manual which are included in these boxes.

## 1. Safety precautions

- ▶ Before installing the unit, make sure you read all the “Safety precautions”.
- ▶ Please report to your supply authority or obtain their consent before connecting this equipment to the power supply system.

**⚠ Warning:**  
Describes precautions that must be observed to prevent danger of injury or death to the user.

**⚠ Caution:**  
Describes precautions that must be observed to prevent damage to the unit.

**⚠ Warning:**

- Ask a dealer or an authorized technician to install the unit.
- The user should never attempt to repair the unit or transfer it to another location.
- For installation work, follow the instructions in the Installation Manual and use tools and pipe components specifically made for use with refrigerant specified in the outdoor unit installation manual.
- The unit must be installed according to the instructions in order to minimize the risk of damage from earthquakes, typhoons, or strong winds. An incorrectly installed unit may fall down and cause damage or injuries.
- The unit must be securely installed on a structure that can sustain its weight.
- If the air conditioner is installed in a small room, measures must be taken to prevent the refrigerant concentration in the room from exceeding the safety limit in the event of refrigerant leakage. Should the refrigerant leak and cause the concentration limit to be exceeded, hazards due to lack of oxygen in the room may result.
- Ventilate the room if refrigerant leaks during operation. If refrigerant comes into contact with a flame, poisonous gases will be released.
- All electric work must be performed by a qualified technician according to local regulations and the instructions given in this manual.
- Use only specified cables for wiring. The wiring connections must be made securely with no tension applied on the terminal connections. Also, never splice the cables for wiring (unless otherwise indicated in this document). Failure to observe these instructions may result in overheating or a fire.
- The appliance shall be installed in accordance with national wiring regulations.

After installation work has been completed, explain the “Safety Precautions,” use, and maintenance of the unit to the customer according to the information in the Operation Manual and perform the test run to ensure normal operation. Both the Installation Manual and Operation Manual must be given to the user for keeping. These manuals must be passed on to subsequent users.

⚡: Indicates a part which must be grounded.

**⚠ Warning:**  
Carefully read the labels affixed to the main unit.

- This appliance is not intended for use by persons (including children) with reduced physical, sensory or mental capabilities, or lack of experience and knowledge, unless they have been given supervision or instruction concerning use of the appliance by a person responsible for their safety.
- Children should be supervised to ensure that they do not play with the appliance.
- The terminal block cover panel of the unit must be firmly attached.
- If the supply cord is damaged, it must be replaced by the manufacturer, its service agent or similarly qualified persons in order to avoid a hazard.
- Use only accessories authorized by Mitsubishi Electric and ask a dealer or an authorized technician to install them.
- The user should never attempt to repair the unit or transfer it to another location.
- After installation has been completed, check for refrigerant leaks. If refrigerant leaks into the room and comes into contact with the flame of a heater or portable cooking range, poisonous gases will be released.
- When installing or relocating, or servicing the air conditioner, use only the specified refrigerant (R410A) to charge the refrigerant lines. Do not mix it with any other refrigerant and do not allow air to remain in the lines. If air is mixed with the refrigerant, then it can be the cause of abnormal high pressure in the refrigerant line, and may result in an explosion and other hazards. The use of any refrigerant other than that specified for the system will cause mechanical failure or system malfunction or unit breakdown. In the worst case, this could lead to a serious impediment to securing product safety.

### 1.1. Before installation (Environment)

**⚠ Caution:**

- Do not use the unit in an unusual environment. If the air conditioner is installed in areas exposed to steam, volatile oil (including machine oil), or sulfuric gas, areas exposed to high salt content such as the seaside, the performance can be significantly reduced and the internal parts can be damaged.
- Do not install the unit where combustible gases may leak, be produced, flow, or accumulate. If combustible gas accumulates around the unit, fire or explosion may result.
- Do not keep food, plants, caged pets, artwork, or precision instruments in the direct airflow of the indoor unit or too close to the unit, as these items can be damaged by temperature changes or dripping water.

- When the room humidity exceeds 80% or when the drainpipe is clogged, water may drip from the indoor unit. Do not install the indoor unit where such dripping can cause damage.
- When installing the unit in a hospital or communications office, be prepared for noise and electronic interference. Inverters, home appliances, high-frequency medical equipment, and radio communications equipment can cause the air conditioner to malfunction or breakdown. The air conditioner may also affect medical equipment, disturbing medical care, and communications equipment, harming the screen display quality.

### 1.2. Before installation or relocation

**⚠ Caution:**

- Be extremely careful when transporting the units. Two or more persons are needed to handle the unit, as it weighs 20 kg or more. Do not grasp the packaging bands. Wear protective gloves as you can injure your hands on the fins or other parts.
- Be sure to safely dispose of the packaging materials. Packaging materials, such as nails and other metal or wooden parts may cause stabs or other injuries.
- Thermal insulation of the refrigerant pipe is necessary to prevent condensation. If the refrigerant pipe is not properly insulated, condensation will be formed.

- Place thermal insulation on the pipes to prevent condensation. If the drainpipe is installed incorrectly, water leakage and damage to the ceiling, floor, furniture, or other possessions may result.
- Do not clean the air conditioner unit with water. Electric shock may result.
- Tighten all flare nuts to specification using a torque wrench. If tightened too much, the flare nut can break after an extended period.

### 1.3. Before electric work

**⚠ Caution:**

- Be sure to install circuit breakers. If not installed, electric shock may result.
- For the power lines, use standard cables of sufficient capacity. Otherwise, a short circuit, overheating, or fire may result.
- When installing the power lines, do not apply tension to the cables.
- Be sure to ground the unit. If the unit is not properly grounded, electric shock may result.

- Use circuit breakers (ground fault interrupter, isolating switch (+B fuse), and molded case circuit breaker) with the specified capacity. If the circuit breaker capacity is larger than the specified capacity, breakdown or fire may result.

### 1.4. Before starting the test run

**⚠ Caution:**

- Turn on the main power switch more than 12 hours before starting operation. Starting operation just after turning on the power switch can severely damage the internal parts.
- Before starting operation, check that all panels, guards and other protective parts are correctly installed. Rotating, hot, or high voltage parts can cause injuries.

- Do not operate the air conditioner without the air filter set in place. If the air filter is not installed, dust may accumulate and breakdown may result.
- Do not touch any switch with wet hands. Electric shock may result.
- Do not touch the refrigerant pipes with bare hands during operation.
- After stopping operation, be sure to wait at least five minutes before turning off the main power switch. Otherwise, water leakage or breakdown may result.

## 2. Installation location

Refer to the outdoor unit installation manual.

## 3. Installing the indoor unit

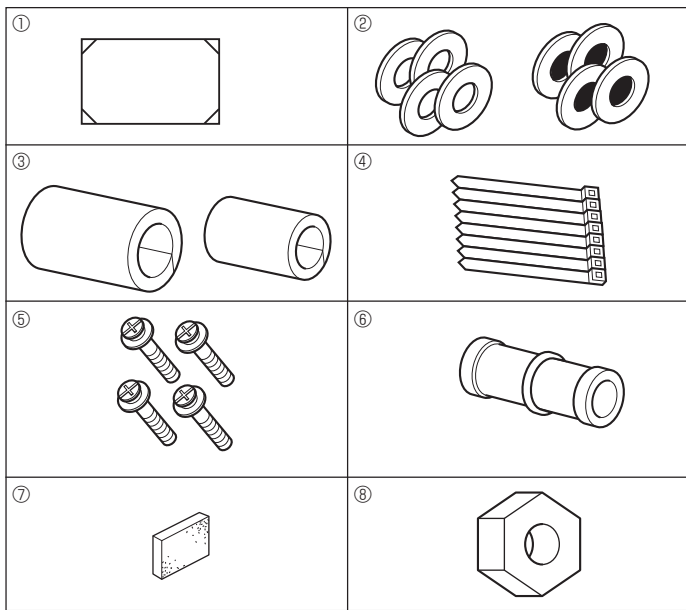


Fig. 3-1

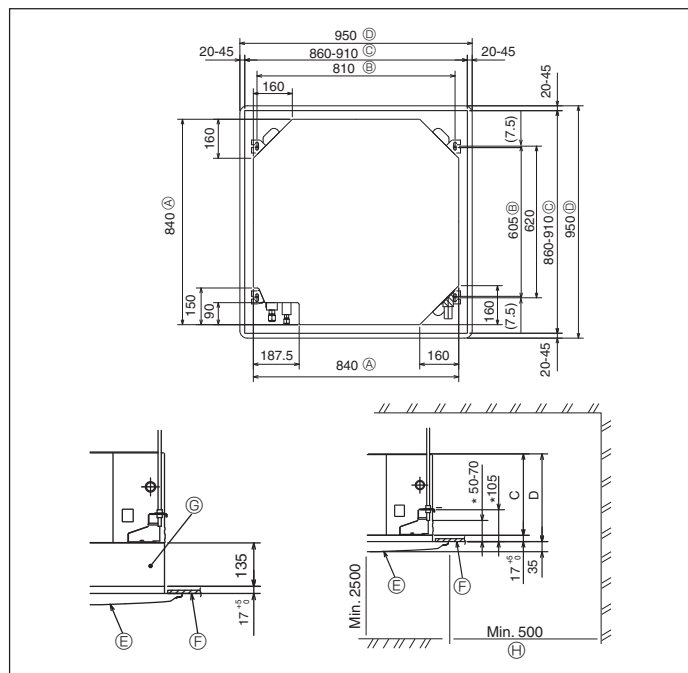


Fig. 3-2

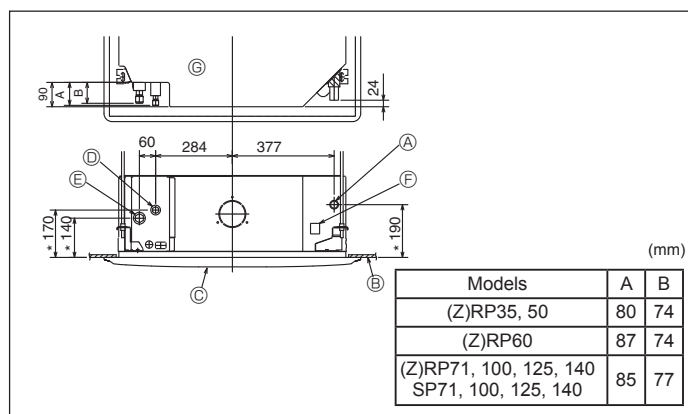


Fig. 3-3

### 3.1. Check the indoor unit accessories (Fig. 3-1)

The indoor unit should be supplied with the following accessories.

	Accessory name	Q'ty
①	Installation template	1
②	Washers (with insulation)	4
	Washers (without insulation)	4
③	Pipe cover (for refrigerant piping joint)	
	Small diameter	1
	Large diameter	1
④	Band	8
⑤	Screw with washer (M5 × 25) for mounting grille	4
⑥	Drain socket	1
⑦	Insulation	1
⑧	Flare nut 1/4F(P60)	1

### 3.2. Ceiling openings and suspension bolt installation locations (Fig. 3-2)

#### ⚠ Caution:

Install the indoor unit at least 2.5m above floor or grade level.  
For appliances not accessible to the general public.

- Using the installation template (top of the package) and the gauge (supplied as an accessory with the grille), make an opening in the ceiling so that the main unit can be installed as shown in the diagram. (The method for using the template and the gauge is shown.)
  - Before using, check the dimensions of template and gauge, because they change due to fluctuations of temperature and humidity.
  - The dimensions of ceiling opening can be regulated within the range shown in Fig.3-2; so center the main unit against the opening of ceiling, ensuring that the respective opposite sides on all sides of the clearance between them becomes identical.
- Use M10 (3/8") suspension bolts.
  - Suspension bolts are to be procured at the field.
- Install securely, ensuring that there is no clearance between the ceiling panel & grille, and between the main unit & grille.

- |                           |                                    |
|---------------------------|------------------------------------|
| Ⓐ Outer side of main unit | Ⓔ Grille                           |
| Ⓑ Bolt pitch              | Ⓕ Ceiling                          |
| Ⓒ Ceiling opening         | Ⓖ Multi function casement (option) |
| Ⓓ Outer side of Grille    | Ⓗ Entire periphery                 |

\*Note that the space between ceiling panel of the unit and ceiling slab, etc. must be 10 to 15 mm.

\* When the optional multi-functional casement is installed, add 135 mm to the dimensions marked on the figure.

(mm)

Models	C	D
PLA-RP35/50/60/71BA(2) PLA-ZRP35/50/60BA PLA-SP71BA	241	258
PLA-RP100/125/140BA(2) PLA-RP100BA3 PLA-ZRP71/100/125/140BA PLA-SP100/125/140BA	281	298

### 3.3. Refrigerant and drainage piping locations of indoor unit

The figure marked with \* in the drawing represent the dimensions of the main unit excluding those of the optional multi function casement. (Fig. 3-3)

- Ⓐ Drain pipe
- Ⓑ Ceiling
- Ⓒ Grille
- Ⓓ Refrigerant pipe (liquid)
- Ⓔ Refrigerant pipe (gas)
- Ⓕ Water supply inlet
- Ⓖ Main unit

\* When the optional multi-functional casement is installed, add 135 mm to the dimensions marked on the figure.

### 3. Installing the indoor unit

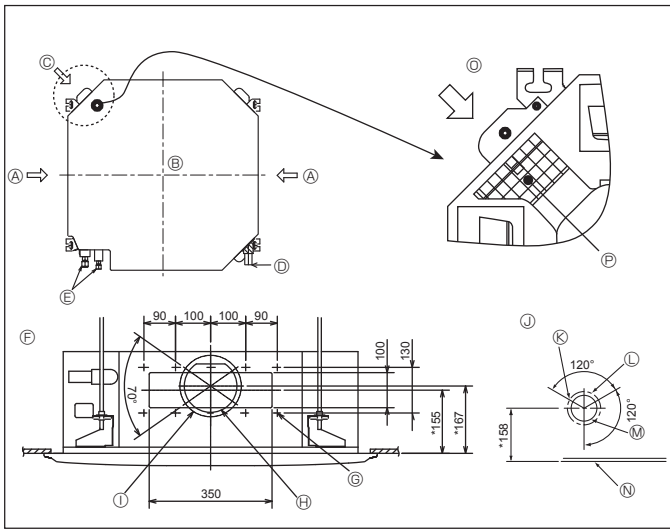


Fig. 3-4

#### 3.4. Branch duct hole and fresh air intake hole (Fig. 3-4)

At the time of installation, use the duct holes (cut out) located at the positions shown in Fig 3-4, as and when required.

- A fresh air intake hole for the optional multi function casement can also be made.

**Note:**

The figure marked with \* in the drawing represent the dimensions of the main unit excluding those of the optional multi function casement.

When installing the optional multi function casement, add 135 mm to the dimensions marked on the figure.

When installing the branch ducts, be sure to insulate adequately. Otherwise condensation and dripping may occur.

When installing the fresh air intake hole, be sure to remove the insulator (P) that is pasted on the indoor unit.

- |  |   |
|--|---|
| (A) Branch duct hole                   | (I) $\varnothing 175$ burring hole pitch      |
| (B) Indoor unit                        | (J) Fresh air intake hole diagram             |
| (C) Fresh air intake hole              | (K) 3- $\varnothing 2.8$ burring hole         |
| (D) Drain pipe                         | (L) $\varnothing 125$ burring hole pitch      |
| (E) Refrigerant pipe                   | (M) $\varnothing 100$ cut out hole            |
| (F) Branch duct hole diagram           | (N) Ceiling                                   |
| (G) 14- $\varnothing 2.8$ burring hole | (O) Detailed figure of removing the insulator |
| (H) $\varnothing 150$ cut out hole     | (P) Insulator                                 |

#### 3.5. Suspension structure (Give site of suspension strong structure) (Fig. 3-5)

• The ceiling work differs according to the construction of the building. Building constructors and interior decorators should be consulted for details.

- (1) Extent of ceiling removal: The ceiling must be kept completely horizontal and the ceiling foundation (framework: wooden slats and slat holders) must be reinforced in order to protect the ceiling from vibration.
- (2) Cut and remove the ceiling foundation.
- (3) Reinforce the ends of the ceiling foundation where it has been cut and add ceiling foundation for securing the ends of the ceiling board.
- (4) When installing the indoor unit on a slanted ceiling, attach a pillar between the ceiling and the grille and set so that the unit is installed horizontally.

- (1) Wooden structures
  - Use tie beams (single storied houses) or second floor beams (2 story houses) as reinforcing members.
  - Wooden beams for suspending air conditioners must be sturdy and their sides must be at least 6 cm long if the beams are separated by not more than 90 cm and their sides must be at least 9 cm long if the beams are separated by as much as 180 cm. The size of the suspension bolts should be  $\varnothing 10$  (3/8"). (The bolts do not come with the unit.)

- (2) Ferro-concrete structures
  - Secure the suspension bolts using the method shown, or use steel or wooden hangers, etc. to install the suspension bolts.

#### 3.6. Unit suspension procedures (Fig. 3-6)

Suspend the main unit as shown in the diagram.

Figures given in parentheses represent the dimensions in case of installing optional multi function casement.

1. In advance, set the parts onto the suspension bolts in the order of the washers (with insulation), washers (without insulation) and nuts (double).
  - Fit the washer with cushion so that the insulation faces downward.
  - In case of using upper washers to suspend the main unit, the lower washers (with insulation) and nuts (double) are to be set later.
2. Lift the unit to the proper height of the suspension bolts to insert the mounting plate between washers and then fasten it securely.
3. When the main unit cannot be aligned against the mounting hole on the ceiling, it is adjustable owing to a slot provided on the mounting plate.
  - Make sure that A is performed within 17-22 mm. Damage could result by failing to adhere to this range. (Fig. 3-7)

**⚠ Caution:**  
Use the top half of the box as a protective cover to prevent dust or debris from getting inside the unit prior to installation of the decorative cover or when applying ceiling materials.

#### 3.7. Confirming the position of main unit and tightening the suspension bolts (Fig. 3-8)

- Using the gauge attached to the grille, ensure that the bottom of the main unit is properly aligned with the opening of the ceiling. Be sure to confirm this, otherwise condensation may form and drip due to air leakage, etc.
- Confirm that the main unit is horizontally levelled, using a level or a vinyl tube filled with water.
- After checking the position of the main unit, tighten the nuts of the suspension bolts securely to fasten the main unit.
- The installation template (top of the package) can be used as a protective sheet to prevent dust from entering the main unit when the grilles are left unattached for a while or when the ceiling materials are to be lined after installation of the unit is finished.

\* As for the details of fitting, refer to the instructions given on the Installation template.

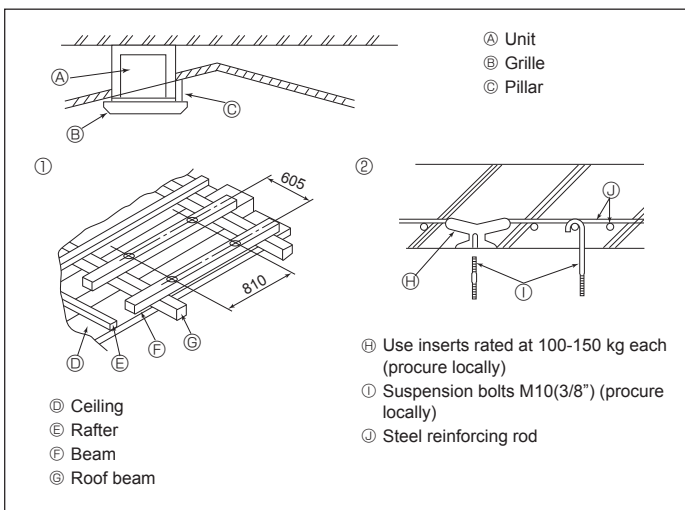


Fig. 3-5

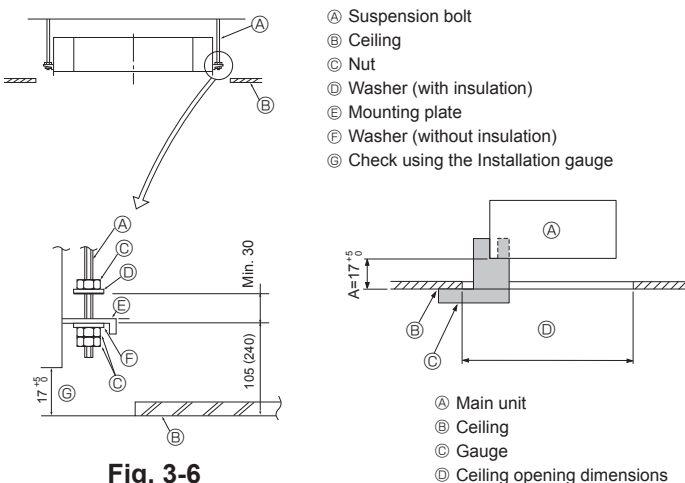


Fig. 3-6

Fig. 3-7

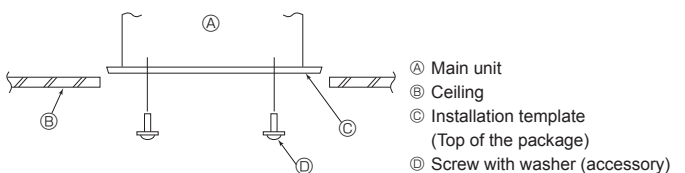


Fig. 3-8

## 4. Installing the refrigerant piping

### 4.1. Precautions

For devices that use R410A refrigerant

- Use ester oil, ether oil or alkylbenzene oil (small amount) as the refrigeration oil applied to the flared sections.
- Use C1220 copper phosphorus for copper and copper alloy seamless pipes, to connect the refrigerant pipes. Use refrigerant pipes with the thicknesses specified in the table below. Make sure the insides of the pipes are clean and do not contain any harmful contaminants such as sulfuric compounds, oxidants, debris, or dust.

#### ⚠ Warning:

When installing or relocating, or servicing the air conditioner, use only the specified refrigerant (R410A) to charge the refrigerant lines. Do not mix it with any other refrigerant and do not allow air to remain in the lines.

If air is mixed with the refrigerant, then it can be the cause of abnormal high pressure in the refrigerant line, and may result in an explosion and other hazards.

The use of any refrigerant other than that specified for the system will cause mechanical failure or system malfunction or unit breakdown. In the worst case, this could lead to a serious impediment to securing product safety.

	(Z)RP35, 50	(Z)RP60-140	SP71-140
Liquid pipe	φ 6.35 thickness 0.8 mm	φ 9.52 thickness 0.8 mm	
Gas pipe	φ 12.7 thickness 0.8 mm	φ 15.88 thickness 1.0 mm	

- Do not use pipes thinner than those specified above.

### 4.2. Connecting pipes (Fig. 4-1)

- When commercially available copper pipes are used, wrap liquid and gas pipes with commercially available insulation materials (heat-resistant to 100 °C or more, thickness of 12 mm or more).
- The indoor parts of the drain pipe should be wrapped with polyethylene foam insulation materials (specific gravity of 0.03, thickness of 9 mm or more).
- Apply thin layer of refrigerant oil to pipe and joint seating surface before tightening flare nut.
- Use 2 wrenches to tighten piping connections.
- Use refrigerant piping insulation provided to insulate indoor unit connections. Insulate carefully.

#### ⓑ Flare nut tightening torque

Copper pipe O.D. (mm)	Flare nut O.D. (mm)	Tightening torque (N·m)
φ6.35	17	14-18
φ6.35	22	34-42
φ9.52	22	34-42
φ12.7	26	49-61
φ12.7	29	68-82
φ15.88	29	68-82
φ15.88	36	100-120
φ19.05	36	100-120

ⓒ Apply refrigerating machine oil over the entire flare seat surface.

ⓓ Use correct flare nuts meeting the pipe size of the outdoor unit.

#### Available pipe size

	(Z)RP35, 50	(Z)RP60	(Z)RP71-140	SP71-140
Liquid side	φ6.35 O	φ6.35	—	—
	—	φ9.52 O	φ9.52 O	—
Gas side	φ12.7 O	φ15.88 O	φ15.88 O	—

O : Factory flare nut attachment to the heat exchanger.

#### ⚠ Warning:

When installing the unit, securely connect the refrigerant pipes before starting the compressor.

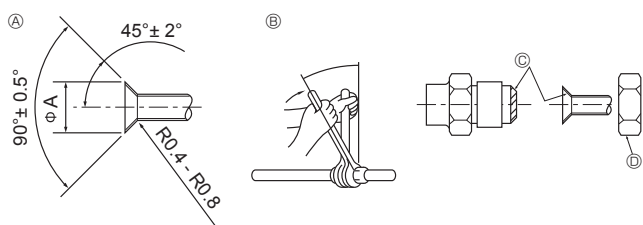


Fig. 4-1

#### Ⓐ Flare cutting dimensions

Copper pipe O.D. (mm)	Flare dimensions φA dimensions (mm)
φ6.35	8.7 - 9.1
φ9.52	12.8 - 13.2
φ12.7	16.2 - 16.6
φ15.88	19.3 - 19.7
φ19.05	23.6 - 24.0

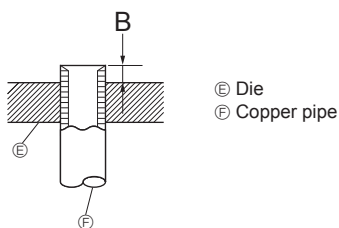


Fig. 4-2

Copper pipe O.D. (mm)	B (mm)
	Flare tool for R410A
	Clutch type
φ6.35 (1/4")	0 - 0.5
φ9.52 (3/8")	0 - 0.5
φ12.7 (1/2")	0 - 0.5
φ15.88 (5/8")	0 - 0.5
φ19.05 (3/4")	0 - 0.5

## 4. Installing the refrigerant piping

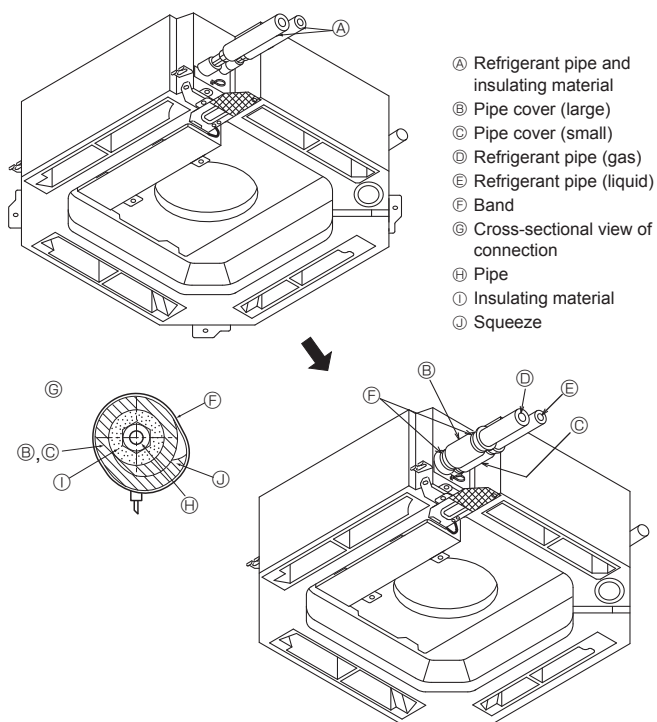


Fig. 4-3

### 4.3. Indoor unit (Fig. 4-3)

#### Heat insulation for refrigerant pipes:

- 1 Wrap the enclosed large-sized pipe cover around the gas pipe, making sure that the end of the pipe cover touches the side of the unit.
  - 2 Wrap the enclosed small-sized pipe cover around the liquid pipe, making sure that the end of the pipe cover touches the side of the unit.
  - 3 Secure both ends of each pipe cover with the enclosed bands. (Attach the bands 20 mm from the ends of the pipe cover.)
- After connecting the refrigerant piping to the indoor unit, be sure to test the pipe connections for gas leakage with nitrogen gas. (Check that there is no refrigerant leakage from the refrigerant piping to the indoor unit.)

### 4.4. For twin/triple combination

Refer to the outdoor unit installation manual.

## 5. Drainage piping work

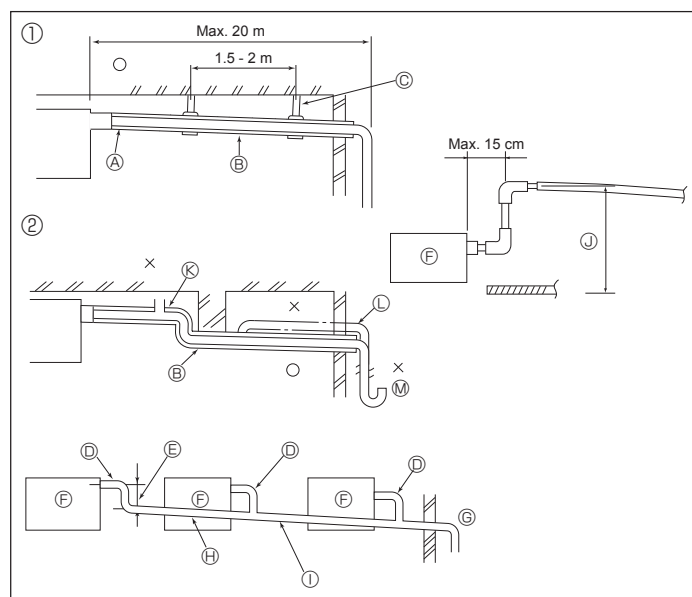


Fig. 5-1

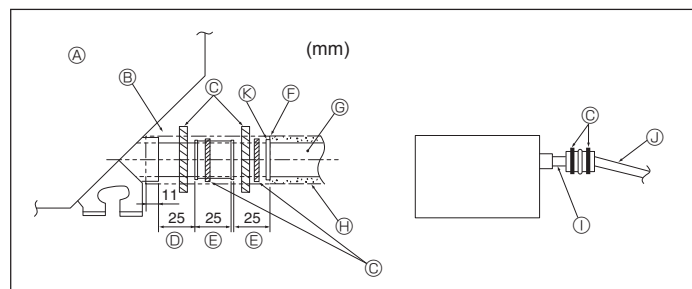


Fig. 5-2

### 5.1. Drainage piping work (Fig. 5-1)

- Use VP25 (O.D.  $\phi$ 32 PVC TUBE) for drain piping and provide 1/100 or more downward slope.
- Be sure to connect the piping joints using a polyvinyl type adhesive.
- Observe the figure for piping work.
- Use the included drain hose to change the extraction direction.

- |                                  |                 |
|----------------------------------|-----------------|
| ① Correct piping                 | ⓐ Support metal |
| ② Wrong piping                   | Ⓚ Air bleeder   |
| ⓐ Insulation (9 mm or more)      | Ⓛ Raised        |
| ⓑ Downward slope (1/100 or more) | Ⓜ Odor trap     |

#### Grouped piping

- |  |   |
|--|---|
| ⓓ O.D. $\phi$ 32 PVC TUBE                        | ⓓ Downward slope (1/100 or more)  |
| ⓔ Make it as large as possible                   | ⓑ O.D. $\phi$ 38 PVC TUBE for grouped piping. (9 mm or more insulation) |
| ⓕ Indoor unit                                    | ⓐ Up to 85 cm   |
| ⓖ Make the piping size large for grouped piping. |   |

1. Connect the drain socket (supplied with the unit) to the drain port. (Fig. 5-2)  
(Fix the tube using PVC adhesive then secure it with a band.)
2. Install a locally purchased drain pipe (PVC pipe, O.D.  $\phi$ 32).  
(Fix the pipe using PVC adhesive then secure it with a band.)
3. Insulate the tube and pipe. (PVC pipe, O.D.  $\phi$ 32 and socket)
4. Check that drain flows smoothly.
5. Insulate the drain port with insulating material, then secure the material with a band. (Both insulating material and band are supplied with the unit.)

- |                            |   |
|----------------------------|---|
| ⓐ Unit                     | ⓑ Drain pipe (O.D. $\phi$ 32 PVC TUBE)          |
| ⓓ Insulating material      | ⓔ Insulating material (purchased locally)       |
| ⓐ Band                     | Ⓛ Transparent PVC pipe                          |
| ⓓ Drain port (transparent) | ⓑ O.D. $\phi$ 32 PVC TUBE (Slope 1/100 or more) |
| ⓔ Insertion margin         | Ⓚ Drain socket                                  |
| ⓕ Matching                 |   |

## 6. Electrical work

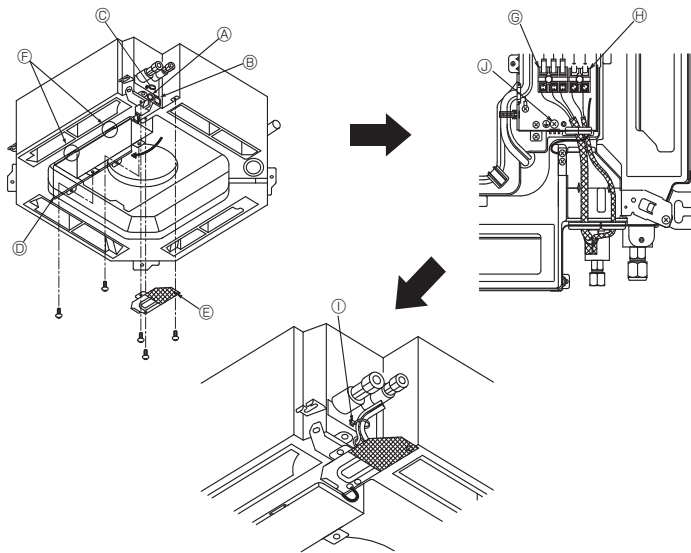


Fig. 6-1

### 6.1. Indoor unit (Fig. 6-1)

1. Remove the electrical wiring service panel.
  2. Remove the electrical box cover.
  3. Wire the power cable and control cable separately through the respective wiring entries given in the diagram.
- Do not allow slackening of the terminal screws.
  - Leave excess cable so that the electrical box cover can be suspended below the unit during servicing. (Approx. 50 to 100 mm)

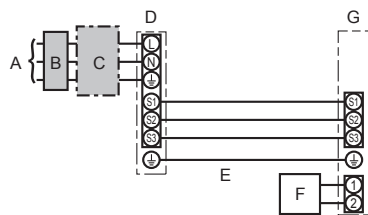
- Ⓐ Entry for control cable
- Ⓑ Entry for power
- Ⓒ Clamp
- Ⓓ Electrical box cover
- Ⓔ Service panel for electrical wiring
- Ⓕ Temporary hook for electrical box cover
- Ⓖ Indoor / Outdoor unit connecting terminals
- Ⓗ Remote controller connector
- Ⓘ Secure with the clamp
- Ⓚ Earth terminal

#### 6.1.1. Indoor unit power supplied from outdoor unit

The following connection patterns are available.

The outdoor unit power supply patterns vary on models.

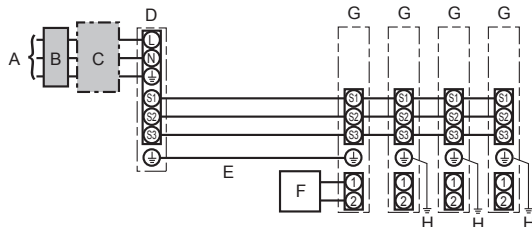
#### 1:1 System



- A Outdoor unit power supply
- B Earth leakage breaker
- C Wiring circuit breaker or isolating switch
- D Outdoor unit
- E Indoor unit/outdoor unit connecting cables
- F Remote controller
- G Indoor unit

\* Affix label A that is included with the manuals near each wiring diagram for the indoor and outdoor units.

#### Simultaneous twin/triple/quadruple system



- A Outdoor unit power supply
- B Earth leakage breaker
- C Wiring circuit breaker or isolating switch
- D Outdoor unit
- E Indoor unit/outdoor unit connecting cables
- F Remote controller
- G Indoor unit
- H Indoor unit earth

\* Affix label A that is included with the manuals near each wiring diagram for the indoor and outdoor units.

Indoor unit model		PLA	
Wiring Wire No. x size (mm <sup>2</sup> )	Indoor unit-Outdoor unit	*1	3 × 1.5 (polar)
	Indoor unit-Outdoor unit earth	*1	1 × Min. 1.5
	Indoor unit earth		1 × Min. 1.5
	Remote controller-Indoor unit	*2	2 × 0.3 (Non-polar)
Circuit rating	Indoor unit (Heater) L-N	*3	—
	Indoor unit-Outdoor unit S1-S2	*3	AC 230 V
	Indoor unit-Outdoor unit S2-S3	*3	DC24 V
	Remote controller-Indoor unit	*3	DC12 V

\*1. <For 35-140 outdoor unit application>

Max. 45 m

If 2.5 mm<sup>2</sup> used, Max. 50 m

If 2.5 mm<sup>2</sup> used and S3 separated, Max. 80 m

<For 200/250 outdoor unit application>

Max. 18 m

If 2.5 mm<sup>2</sup> used, Max. 30 m

If 4 mm<sup>2</sup> used and S3 separated, Max. 50 m

If 6 mm<sup>2</sup> used and S3 separated, Max. 80 m

\*2. The 10 m wire is attached in the remote controller accessory. Max. 500 m

\*3. The figures are NOT always against the ground.

S3 terminal has DC 24 V against S2 terminal. However between S3 and S1, these terminals are not electrically insulated by the transformer or other device.

**Notes:** 1. Wiring size must comply with the applicable local and national code.

2. Power supply cords and indoor unit/outdoor unit connecting cords shall not be lighter than polychloroprene sheathed flexible cord. (Design 60245 IEC 57)

3. Install an earth longer than other cables.

**Warning:**

Never splice the power cable or the indoor-outdoor connection cable, otherwise it may result in a smoke, a fire or communication failure.

## 6. Electrical work

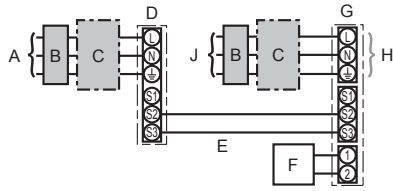
### 6.1.2. Separate indoor unit/outdoor unit power supplies (For PUHZ application only)

The following connection patterns are available.

The outdoor unit power supply patterns vary on models.

#### 1:1 System

\* The indoor power supply terminal kit is required.

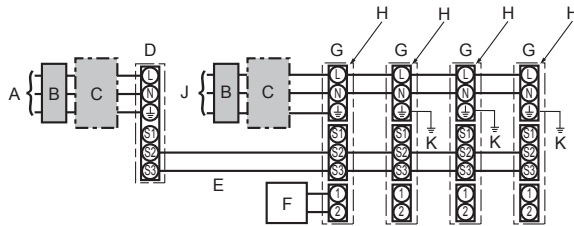


- A Outdoor unit power supply
- B Earth leakage breaker
- C Wiring circuit breaker or isolating switch
- D Outdoor unit
- E Indoor unit/outdoor unit connecting cables
- F Remote controller
- G Indoor unit
- H Option
- J Indoor unit power supply

\* Affix label B that is included with the manuals near each wiring diagram for the indoor and outdoor units.

#### Simultaneous twin/triple/quadruple system

\* The indoor power supply terminal kits are required.



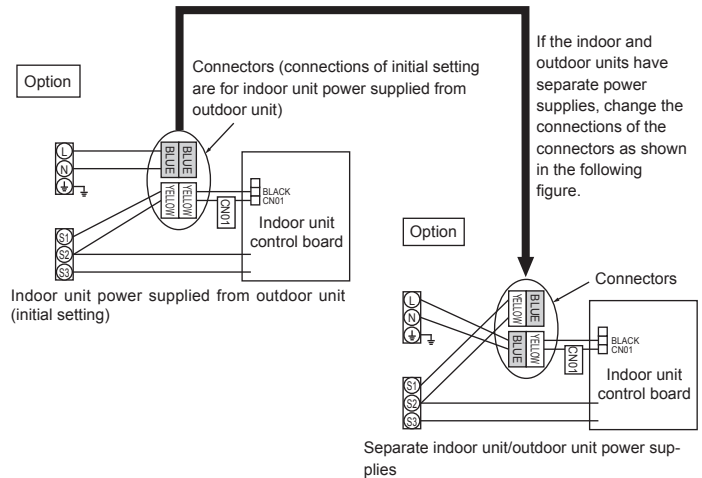
- A Outdoor unit power supply
- B Earth leakage breaker
- C Wiring circuit breaker or isolating switch
- D Outdoor unit
- E Indoor unit/outdoor unit connecting cables
- F Remote controller
- G Indoor unit
- H Option
- J Indoor unit power supply
- K Indoor unit earth

\* Affix label B that is included with the manuals near each wiring diagram for the indoor and outdoor units.

If the indoor and outdoor units have separate power supplies, refer to the table below. If the indoor power supply terminal kit is used, change the indoor unit electrical box wiring referring to the figure in the right and the DIP switch settings of the outdoor unit control board.

	Indoor unit specifications								
Indoor power supply terminal kit (option)	Required								
Indoor unit electrical box connector connection change	Required								
Label affixed near each wiring diagram for the indoor and outdoor units	Required								
Outdoor unit DIP switch settings (when using separate indoor unit/outdoor unit power supplies only)	<table border="1" style="margin-left: auto; margin-right: auto;"> <tr> <td>ON</td> <td></td> <td></td> <td style="border: 2px solid black;">3</td> </tr> <tr> <td>OFF</td> <td>1</td> <td>2</td> <td></td> </tr> </table> (SW8) Set the SW8-3 to ON.	ON			3	OFF	1	2	
ON			3						
OFF	1	2							

\* There are 3 types of labels (labels A, B and C). Affix the appropriate labels to the units according to the wiring method.



Indoor unit model		PLA
Indoor unit power supply		~N (single), 50 Hz, 230 V
Indoor unit input capacity	*1	16 A
Main switch (Breaker)		
Wiring Wire No. x wire size (mm <sup>2</sup> )	Indoor unit power supply & earth	3 × Min. 1.5
	Indoor unit-Outdoor unit	*2 2 × Min. 0.3
	Indoor unit-Outdoor unit earth	-
	Remote controller-Indoor unit	*3 2 × 0.3 (Non-polar)
Circuit rating	Indoor unit L-N	*4 AC 230 V
	Indoor unit-Outdoor unit S1-S2	*4 -
	Indoor unit-Outdoor unit S2-S3	*4 DC24 V
	Remote controller-Indoor unit	*4 DC12 V

\*1. A breaker with at least 3.0 mm contact separation in each pole shall be provided. Use earth leakage breaker (NV). The breaker shall be provided to ensure disconnection of all active phase conductors of the supply.

\*2. Max. 120 m

\*3. The 10 m wire is attached in the remote controller accessory. Max. 500 m

\*4. The figures are NOT always against the ground.

- Notes:**
1. Wiring size must comply with the applicable local and national code.
  2. Power supply cords and indoor unit/outdoor unit connecting cords shall not be lighter than polychloroprene sheathed flexible cord. (Design 60245 IEC 57)
  3. Install an earth longer than other cables.

#### ⚠ Warning:

Never splice the power cable or the indoor-outdoor connection cable, otherwise it may result in a smoke, a fire or communication failure.



## 6. Electrical work

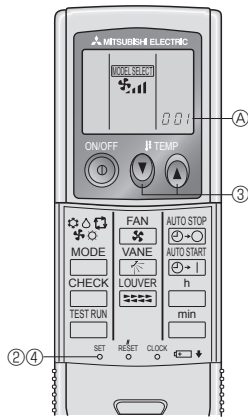


Fig. 6-2

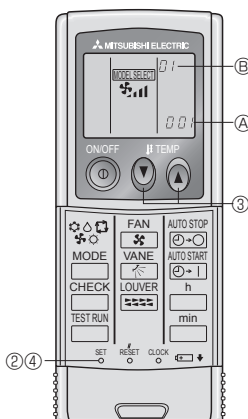


Fig. 6-3

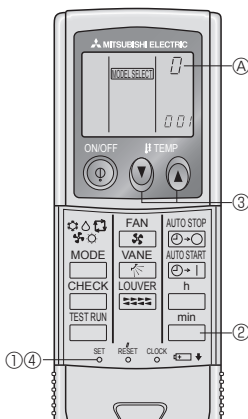


Fig. 6-4

## 6.2. Remote controller

### 6.2.1. For wired remote controller

#### 1) 2 remote controllers setting

If 2 remote controllers are connected, set one to "Main" and the other to "Sub". For setting procedures, refer to "Function selection of remote controller" in the operation manual for the indoor unit.

### 6.2.2. For wireless remote controller

#### 1) Setting (Fig. 6-2)

- ① Insert batteries.
- ② Press the SET button with something sharp at the end.  
MODEL SELECT blinks and Model No. is lighted.
- ③ Press the temp (A) (B) buttons to set the Model No.  
If you mistook the operation, press the ON/OFF (C) button and operate again from procedure ②.
- ④ Press the SET button with something sharp at the end.  
MODEL SELECT and Model No. are lighted for 3 seconds, then turned off.

Indoor	Outdoor	(A) Model No.
PLA	PUH, PUHZ, SUZ	001
	PU	033

#### 2) Automatic fan speed setting (Fig. 6-3)

It is necessary to set for wireless remote controller only when automatic fan speed is not set at initial setting.

It is not necessary to set for wired remote controller with automatic fan speed at initial setting.

1. Press the SET button with something sharp at the end.  
Operate when display of remote controller is off.  
MODEL SELECT blinks and Model No. is lighted (A).
2. Press the AUTO STOP (D) button.  
MODEL SELECT blinks and setting No. is lighted (B).  
(Setting No.01: without automatic fan speed )
3. Press the temp (C) (E) buttons to set the setting No.02.  
(Setting No.02:with automatic fan speed )  
If you mistook the operation, press the ON/OFF (C) button and operate again from procedure 2.
4. Press the SET button with something sharp at the end.  
MODEL SELECT and Model No. are lighted for 3 seconds, then turned off.

#### 3) Assigning a remote controller to each unit (Fig. 6-4)

Each unit can be operated only by the assigned remote controller.  
Make sure each pair of an indoor unit PC board and a remote controller is assigned to the same pair No.

#### 4) Wireless remote controller pair number setting operation

- ① Press the SET button with something sharp at the end.  
Start this operation from the status of remote controller display turned off.  
MODEL SELECT blinks and Model No. is lighted.
- ② Press the (min) button twice continuously. Pair No. "0" blinks.
- ③ Press the temp (C) (E) buttons to set the pair number you want to set.  
If you mistook the operation, press the ON/OFF (C) button and operate again from procedure 2.
- ④ Press the SET button with something sharp at the end.  
Set pair number is lighted for 3 seconds then turned off.

(A) Pair No. of wireless remote controller	Indoor PC board
0	Initial setting
1	Cut J41
2	Cut J42
3-9	Cut J41, J42

## 6. Electrical work

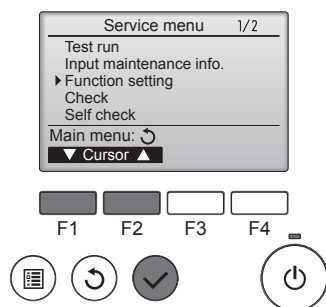


Fig. 6-5

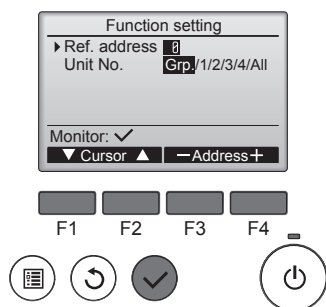


Fig. 6-6

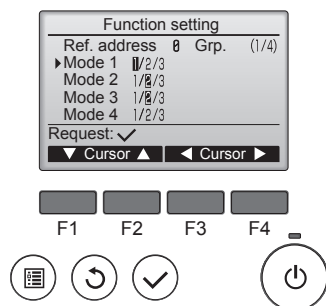


Fig. 6-7

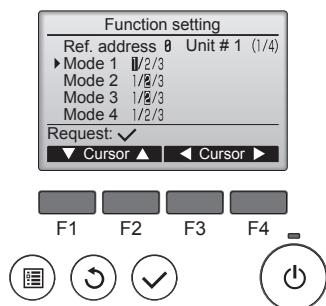


Fig. 6-8

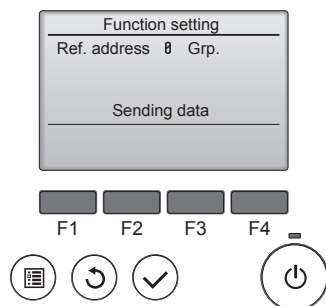


Fig. 6-9

### Note:

- Make the above settings on Mr. Slim units as necessary.
- Table 1 summarizes the setting options for each mode number. Refer to the indoor unit Installation Manual for the detailed information about initial settings, mode numbers, and setting numbers for the indoor units.
- Be sure to write down the settings for all functions if any of the initial settings has been changed after the completion of installation work.

Table1. Function setting options

Mode No.	Mode	Settings	Setting No.	Unit numbers	
01	Automatic recovery after power failure	Disable	1	Set "1, 2, 3, 4, or All" for the Unit number. These settings apply to all the connected indoor units.	
		Enable (Four minutes of standby time is required after the restoration of power.)	2		
02	Thermistor selection (indoor temperature detection)	Average temperature reading of the indoor units in operation	1		
		Thermistor on the indoor unit to which the remote controller is connected (fixed)	2		
		Built-in sensor on the remote controller	3		
03	LOSSNAY connection	Not connected	1		
		Connected (without outdoor air intake by the indoor units)	2		
		Connected (with outdoor air intake by the indoor units)	3		
04	Power voltage	240 V	1		
		220 V, 230 V	2		
07	Filter sign	100 hours	1		Set "1, 2, 3, 4, or All" for the Unit number. These settings apply to each indoor unit.
		2500 hours	2		
		Not displayed	3		
08	Fan speed	Silent mode (or standard)	1	• If "1, 2, 3, or 4" is set for the Unit number, the settings apply only to the specified indoor unit regardless of the number of connected indoor units (one through four units). • If "ALL" is set for the Unit number, the settings apply to all the connected indoor units regardless of the number of connected indoor units (one through four units).	
		Standard (or High ceiling 1)	2		
		High ceiling (or High ceiling 2)	3		
09	Outlet	4 directional	1		
		3 directional	2		
		2 directional	3		
10	Optional parts (High-efficiency filter)	No	1		
		Yes	2		
11	Vane	No vanes (or the vane setting No.3 is effective.)	1		
		Equipped with vanes (The vane setting No.1 is effective.)	2		
		Equipped with vanes (The vane setting No.2 is effective.)	3		

## 6.3. Function settings

### 6.3.1. Function setting on the unit (Selecting the unit functions)

#### 1) For wired remote controller

- (Fig. 6-5)
  - Select "Service" from the Main menu, and press the [SELECT] button.
  - Select "Function settings" with the [F1] or [F2] button, and press the [SELECT] button.
- (Fig. 6-6)
  - Set the indoor unit refrigerant addresses and unit numbers with the [F1] through [F4] buttons, and then press the [SELECT] button to confirm the current setting.

**<Checking the Indoor unit No.>**  
When the [SELECT] button is pressed, the target indoor unit will start fan operation. If the unit is common or when running all units, all indoor units for the selected refrigerant address will start fan operation.

- (Fig. 6-7)
  - When data collection from the indoor units is completed, the current settings appears highlighted. Non-highlighted items indicate that no function settings are made. Screen appearance varies depending on the "Unit No." setting.
- (Fig. 6-8)
  - Use the [F1] or [F2] button to move the cursor to select the mode number, and change the setting number with the [F3] or [F4] button.
- (Fig. 6-9)
  - When the settings are completed, press the [SELECT] button to send the setting data from the remote controller to the indoor units.
  - When the transmission is successfully completed, the screen will return to the Function setting screen.

## 6. Electrical work

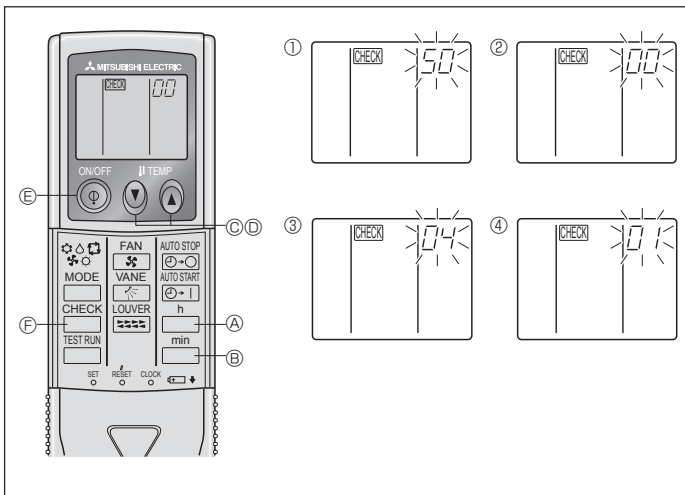


Fig. 6-10

### 2) For wireless remote controller (Fig. 6-10)

#### Changing the power voltage setting

- Be sure to change the power voltage setting depending on the voltage used.

#### ① Going to the function select mode

Press the button (F) twice continuously.

(Start this operation from the status of remote controller display turned off.)

is lighted and "00" blinks.

Press the temp button (C) once to set "50". Direct the wireless remote controller toward the receiver of the indoor unit and press the button (A).

#### ② Setting the unit number

Press the temp buttons (C) and (D) to set the unit number "00". Direct the wireless remote controller toward the receiver of the indoor unit and press the button (E).

#### ③ Selecting a mode

Enter 04 to change the power voltage setting using the temp buttons (C) and (D). Direct the wireless remote controller toward the receiver of the indoor unit and press the button (A).

Current setting number: 1 = 1 beep (1 second)

2 = 2 beeps (1 second each)

3 = 3 beeps (1 second each)

#### ④ Selecting the setting number

Use the temp buttons (C) and (D) to change the power voltage setting to 01 (240 V). Direct the wireless remote controller toward the sensor of the indoor unit and press the button (A).

#### ⑤ To select multiple functions continuously

Repeat steps ③ and ④ to change multiple function settings continuously.

#### ⑥ Complete function selection

Direct the wireless remote controller toward the sensor of the indoor unit and press the button (E).

**Note: Whenever changes are made to the function settings after installation or maintenance, be sure to record the changes with a mark in the "Setting" column of the Function table.**

### 6.3.2. Function setting on the remote controller

Refer to the indoor unit operation manual.

#### Function table

Select unit number 00

Mode	Settings	Mode no.	Setting no.	Initial setting	setting
Power failure automatic recovery	Not available	01	1		
	Available *1		2	O *2	
Indoor temperature detecting	Indoor unit operating average	02	1	O	
	Set by indoor unit's remote controller		2		
	Remote controller's internal sensor		3		
LOSSNAY connectivity	Not Supported	03	1	O	
	Supported (indoor unit is not equipped with outdoor-air intake)		2		
	Supported (indoor unit is equipped with outdoor-air intake)		3		
Power voltage	240 V	04	1		
	220 V, 230 V		2	O	

Select unit numbers 01 to 03 or all units (AL [wired remote controller]/07 [wireless remote controller])

Mode	Settings	Mode no.	Setting no.	Initial setting	setting
Filter sign	100Hr	07	1		
	2500Hr		2	O	
	No filter sign indicator		3		
Fan speed	Silent	08	1		
	Standard		2	O	
	High ceiling		3		
No. of air outlets	4 directions	09	1	O	
	3 directions		2		
	2 directions		3		
Installed options (high-performance filter)	Not supported	10	1	O	
	Supported		2		
Up/down vane setting	Equipped with vanes (vaner angle setup ③)	11	1		
	Equipped with vanes (vaner angle setup ①)		2		
	Equipped with vanes (vaner angle setup ②)		3	O	

\*1 When the power supply returns, the air conditioner will start 3 minutes later.

\*2 Power failure automatic recovery initial setting depends on the connecting outdoor unit.

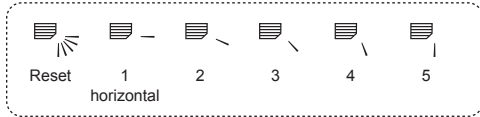
## 6. Electrical work

### 6.3.3 How to set the fixed up/down air direction (Only for wired remote controller and PUHZ, PU(H) application)

- Only the particular outlet can be fixed to certain direction with the procedures below. Once fixed, only the set outlet is fixed every time air conditioner is turned on. (Other outlets follow UP/DOWN air direction setting of the remote controller.)

#### ■ Explanation of word

- "Refrigerant address No." and "Unit No." are the numbers given to each air conditioner.
- "Outlet No." is the number given to each outlet of air conditioner. (Refer to the right.)
- "Up/Down air direction" is the direction (angle) to fix.

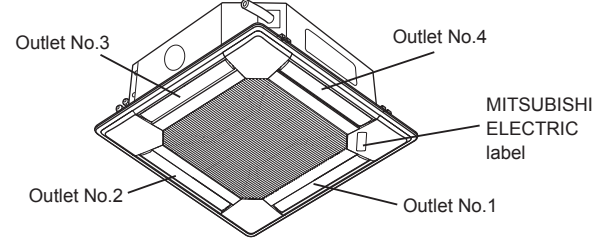


#### Remote controller setting

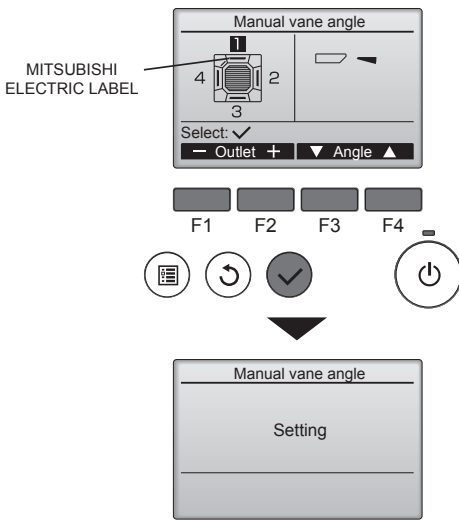
The airflow direction of this outlet is controlled by the airflow direction setting of remote controller.

#### Fixed setting

The airflow direction of this outlet is fixed in particular direction.  
\* When it is cold because of direct airflow, the airflow direction can be fixed horizontally to avoid direct airflow.



Note: "0" indicates all outlets.



If all outlets are selected, will be displayed the next time the unit goes into operation.

#### Navigating through the screens

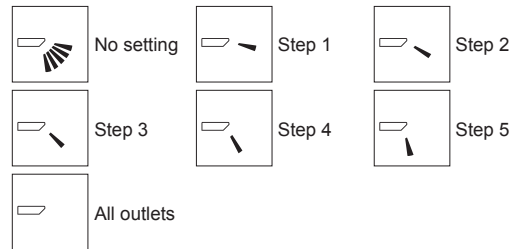
- To go back to the Main menu .....[MENU] button
- To return to the previous screen .....[RETURN] button

The current vane setting will appear.

- Select the desired outlets from 1 through 4 with the [F1] or [F2] button.
- Outlet: "1", "2", "3", "4", and "1, 2, 3, 4, (all outlets)"

Press the [F3] or [F4] button to go through the option in the order of "No setting (re-set)", "Step 1", "Step 2", "Step 3", "Step 4", and "Step 5".  
Select the desired setting.

#### ■ Vane setting



Press the [SELECT] button to save the settings.

A screen will appear that indicates the setting information is being transmitted. The setting changes will be made to the selected outlet.

The screen will automatically return to the one shown above (step 4) when the transmission is completed.

Make the settings for other outlets, following the same procedures.

## 6. Electrical work

Manual vane angle

▶ Ref. address 0  
Unit No. 1/2/3/4

Identify unit Check button

Input display: ✓

▼ Cur. —Address+ Check



Manual vane angle

▶ Ref. address 0  
Unit No. 1/2/3/4  
The air conditioner with the vane pointing downward is the target air conditioner.

Input display: ✓



Manual vane angle

There is no response from the target device.  
Confirm the state of the air conditioner.

Input display: ✓



### Confirmation procedure

- ① First, confirm by setting "Ref. address" to 0 and "Unit No." to 1.
  - Move the cursor to "Ref. address" or "Unit No." with the [F1] button to select.
  - Select the refrigerant address and the unit number for the units to whose vanes are to be fixed, with the [F2] or [F3] button, and press the [SELECT] button.
  - Ref. address: Refrigerant address
  - Unit No.: 1, 2, 3, 4
 Press the [F4] button to confirm the unit.
- ② Change the "Unit No." in order and check each unit.
  - Press the [F1] button to select "Unit No."
  - Press the [F2] or [F3] button to change the "Unit No." to the unit that you want to check, and then press the [F4] button.
  - After pressing the [F4] button, wait approximately 15 seconds, and then check the current state of the air conditioner.
    - The vane is pointing downward. → This air conditioner is displayed on the remote controller.
    - All outlets are closed. → Press the [RETURN] button and continue the operation from the beginning.
    - The messages shown to the left are displayed. → The target device does not exist at this refrigerant address.
  - Press the [RETURN] button to return to the initial screen.
- ③ Change the "Ref. address" to the next number.
  - Refer to step ① to change the "Ref. address" and continue with the confirmation.

## 7. Test run

### 7.1. Before test run

- ▶ After completing installation and the wiring and piping of the indoor and outdoor units, check for refrigerant leakage, looseness in the power supply or control wiring, wrong polarity, and no disconnection of one phase in the supply.
  - ▶ Use a 500-volt megohmmeter to check that the resistance between the power supply terminals and ground is at least 1.0 MΩ.
  - ▶ Do not carry out this test on the control wiring (low voltage circuit) terminals.
- ⚠ Warning:**  
Do not use the air conditioner if the insulation resistance is less than 1.0 MΩ.

### 7.2. Test run

#### 7.2.1. Using wired remote controller.

- Make sure to read operation manual before test run. (Especially items to secure safety)

#### Step 1 Turn on the power.

- Remote controller: The system will go into startup mode, and the remote controller power lamp (green) and "PLEASE WAIT" will blink. While the lamp and message are blinking, the remote controller cannot be operated. Wait until "PLEASE WAIT" is not displayed before operating the remote controller. After the power is turned on, "PLEASE WAIT" will be displayed for approximately 2 minutes.
  - Indoor controller board: LED 1 will be lit up, LED 2 will be lit up (if the address is 0) or off (if the address is not 0), and LED 3 will blink.
  - Outdoor controller board: LED 1 (green) and LED 2 (red) will be lit up. (After the startup mode of the system finishes, LED 2 will be turned off.) If the outdoor controller board uses a digital display, [-] and [-] will be displayed alternately every second.
- If the operations do not function correctly after the procedures in step 2 and thereafter are performed, the following causes should be considered and eliminated if they are found.

(The symptoms below occur during the test run mode. "Startup" in the table means the LED display written above.)

Symptoms in test run mode		Cause
Remote Controller Display	OUTDOOR BOARD LED Display <> indicates digital display.	
Remote controller displays "PLEASE WAIT", and cannot be operated.	After "startup" is displayed, only green lights up. <00>	• After power is turned on, "PLEASE WAIT" is displayed for 2 minutes during system startup. (Normal)
After power is turned on, "PLEASE WAIT" is displayed for 3 minutes, then error code is displayed.	After "startup" is displayed, green(once) and red(once) blink alternately. <F1>	• Incorrect connection of outdoor terminal block (R, S, T and S <sub>1</sub> , S <sub>2</sub> , S <sub>3</sub> .)
	After "startup" is displayed, green(once) and red(twice) blink alternately. <F3, F5, F9>	• Outdoor unit's protection device connector is open.
No display appears even when remote controller operation switch is turned on. (Operation lamp does not light up.)	After "startup" is displayed, green(twice) and red(once) blink alternately. <EA, Eb>	• Incorrect wiring between the indoor and outdoor unit (Polarity is wrong for S <sub>1</sub> , S <sub>2</sub> , S <sub>3</sub> .)
	After "startup" is displayed, only green lights up. <00>	• Remote controller transmission wire short.
Display appears but soon disappears even when remote controller is operated.	After "startup" is displayed, only green lights up. <00>	• There is no outdoor unit of address 0. (Address is other than 0.)
	After "startup" is displayed, only green lights up. <00>	• Remote controller transmission wire open.
	After "startup" is displayed, only green lights up. <00>	• After canceling function selection, operation is not possible for about 30 seconds. (Normal)

## 7. Test run

### Step 2 Switch the remote controller to "Test run".

- ① Select "Test run" from the Service menu, and press the [SELECT] button. (Fig.7-1)
- ② Select "Test run" from the Test run menu, and press the [SELECT] button. (Fig.7-2)
- ③ The test run operation starts, and the Test run operation screen is displayed.

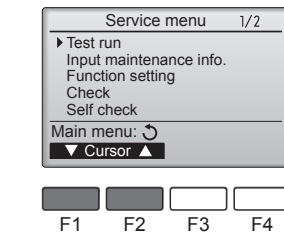


Fig. 7-1

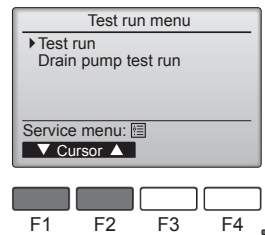


Fig. 7-2

### Step 3 Perform the test run and check the airflow temperature and auto vane.

- ① Press the [F1] button to change the operation mode. (Fig.7-3)  
Cooling mode: Check that cool air blows from the unit.  
Heating mode: Check that warm air blows from the unit.
- ② Press the [SELECT] button to display the Vane operation screen, and then press the [F1] and [F2] buttons to check the auto vane. (Fig.7-4)  
Press the [RETURN] button to return to the Test run operation screen.

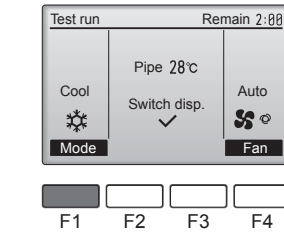


Fig. 7-3

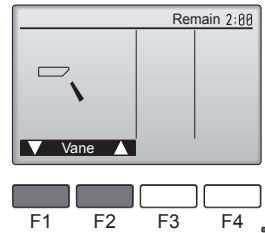


Fig. 7-4

### Step 4 Confirm the operation of the outdoor unit fan.

The speed of the outdoor unit fan is controlled in order to control the performance of the unit. Depending on the ambient air, the fan will rotate at a slow speed and will keep rotating at that speed unless the performance is insufficient. Therefore, the outdoor wind may cause the fan to stop rotating or to rotate in the opposite direction, but this is not a problem.

### Step 5 Stop the test run.

- ① Press the [ON/OFF] button to stop the test run. (The Test run menu will appear.)

Note: If an error is displayed on the remote controller, see the table below.

LCD	Description of malfunction	LCD	Description of malfunction	LCD	Description of malfunction
P1	Intake sensor error	P9	Pipe sensor error (dual-wall pipe)	E0 ~ E5	Communication error between the remote controller and the indoor unit
P2	Pipe sensor error (liquid pipe)	PA	Leakage error (refrigerant system)		
P4	Drain float switch connector disconnected (CN4F)	PL	Refrigerant circuit abnormal		
P5	Drain overflow protection operation	FB	Indoor controller board error	E6 ~ EF	Communication error between the indoor unit and the outdoor unit
P6	Freezing/overheating protection operation	U*, F*	Outdoor unit malfunction Refer to the wiring diagram for the outdoor unit.		
P8	Pipe temperature error	(* indicates an alphanumeric character excluding FB.)			

See the table below for the details of the LED display (LED 1, 2, and 3) on the indoor controller board.

LED1 (microcomputer power supply)	Indicates whether control power is supplied. Make sure that this LED is always lit.
LED2 (remote controller power supply)	Indicates whether power is supplied to the wired remote controller. The LED is lit only for the indoor unit that is connected to the outdoor unit that has an address of 0.
LED3 (indoor/outdoor unit communication)	Indicates whether the indoor and outdoor units are communicating. Make sure that this LED is always blinking.

### 7.2.2. Using SW4 in outdoor unit

Refer to the outdoor unit installation manual.

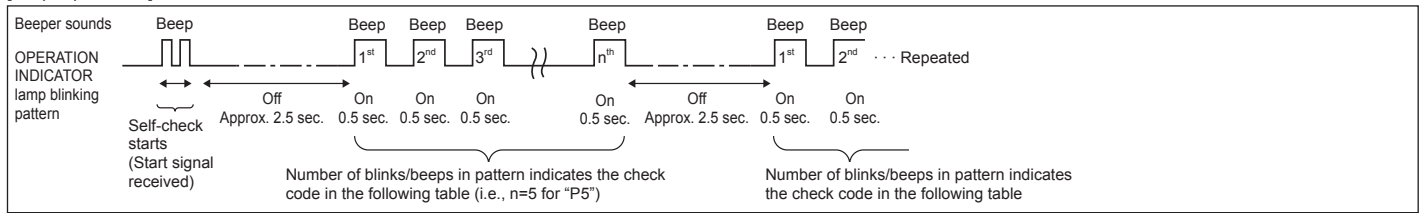
### 7.3. Self-check

- Refer to the installation manual that comes with each remote controller for details.

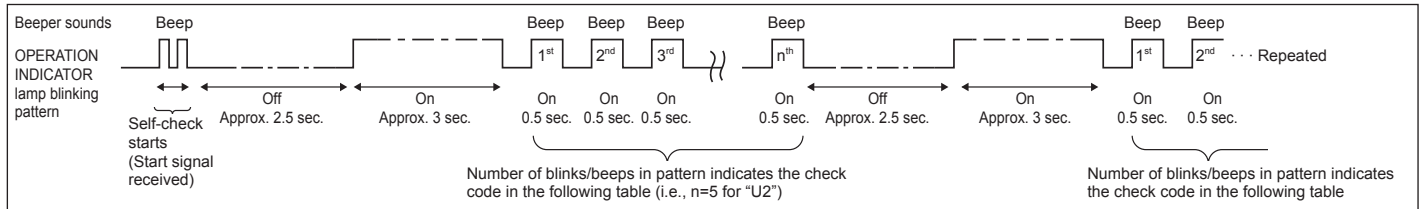
## 7. Test run

- Refer to the following tables for details on the check codes. (Wireless remote controller)

[Output pattern A]



[Output pattern B]



[Output pattern A] Errors detected by indoor unit

Wireless remote controller	Wired remote controller	Symptom	Remark
Beeper sounds/OPERATION INDICATOR lamp blinks (Number of times)	Check code		
1	P1	Intake sensor error	
2	P2	Pipe (TH2) sensor error	
	P9	Pipe (TH5) sensor error	
3	E6, E7	Indoor/outdoor unit communication error	
4	P4	Drain sensor error / Float switch connector open	
5	P5	Drain pump error	
	PA	Forced compressor error	
6	P6	Freezing/Overheating protection operation	
7	EE	Communication error between indoor and outdoor units	
8	P8	Pipe temperature error	
9	E4	Remote controller signal receiving error	
10	—	—	
11	—	—	
12	Fb	Indoor unit control system error (memory error, etc.)	
14	PL	Refrigerant circuit abnormal	
No sound	E0, E3	Remote controller transmission error	
No sound	E1, E2	Remote controller control board error	
No sound	— — — —	No corresponding	

[Output pattern B] Errors detected by unit other than indoor unit (outdoor unit, etc.)

Wireless remote controller	Wired remote controller	Symptom	Remark
Beeper sounds/OPERATION INDICATOR lamp blinks (Number of times)	Check code		
1	E9	Indoor/outdoor unit communication error (Transmitting error) (Outdoor unit)	For details, check the LED display of the outdoor controller board.
2	UP	Compressor overcurrent interruption	
3	U3, U4	Open/short of outdoor unit thermistors	
4	UF	Compressor overcurrent interruption (When compressor locked)	
5	U2	Abnormal high discharging temperature/49C worked/insufficient refrigerant	
6	U1, Ud	Abnormal high pressure (63H worked)/Overheating protection operation	
7	U5	Abnormal temperature of heat sink	
8	U8	Outdoor unit fan protection stop	
9	U6	Compressor overcurrent interruption/Abnormal of power module	
10	U7	Abnormality of super heat due to low discharge temperature	
11	U9, UH	Abnormality such as overvoltage or voltage shortage and abnormal synchronous signal to main circuit/Current sensor error	
12	—	—	
13	—	—	
14	Others	Other errors (Refer to the technical manual for the outdoor unit.)	

\*1 If the beeper does not sound again after the initial 2 beeps to confirm the self-check start signal was received and the OPERATION INDICATOR lamp does not come on, there are no error records.

\*2 If the beeper sounds 3 times continuously "beep, beep, beep (0.4 + 0.4 + 0.4 sec.)" after the initial 2 beeps to confirm the self-check start signal was received, the specified refrigerant address is incorrect.

- On wireless remote controller  
The continuous buzzer sounds from receiving section of indoor unit.  
Blink of operation lamp
- On wired remote controller  
Check code displayed in the LCD.

## 7. Test run

- If the unit cannot be operated properly after test run, refer to the following table to find the cause.

Symptom		LED 1, 2 (PCB in outdoor unit)	Cause
Wired remote controller			
PLEASE WAIT	For about 2 minutes after power-on	After LED 1, 2 are lighted, LED 2 is turned off, then only LED 1 is lighted. (Correct operation)	•For about 2 minutes after power-on, operation of the remote controller is not possible due to system start-up. (Correct operation)
PLEASE WAIT → Error code	Subsequent to about 2 minutes after power-on	Only LED 1 is lighted. → LED 1, 2 blink.	•Connector for the outdoor unit's protection device is not connected. Reverse or open phase wiring for the outdoor unit's power terminal block (L1, L2, L3)
Display messages do not appear even when operation switch is turned ON (operation lamp does not light up).		Only LED 1 is lighted. → LED 1 blinks twice, LED 2 blinks once.	•Incorrect wiring between indoor and outdoor units (incorrect polarity of S1, S2, S3) •Remote controller wire short

On the wireless remote controller with condition above, following phenomena take place.

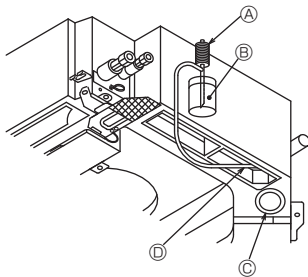
- No signals from the remote controller are accepted.
- Operation lamp is blinking.
- The buzzer makes a short ping sound.

**Note:**

**Operation is not possible for about 30 seconds after cancellation of function selection. (Correct operation)**

For description of each LED (LED1, 2, 3) provided on the indoor controller, refer to the following table.

LED 1 (power for microcomputer)	Indicates whether control power is supplied. Make sure that this LED is always lit.
LED 2 (power for remote controller)	Indicates whether power is supplied to the remote controller. This LED lights only in the case of the indoor unit which is connected to the outdoor unit refrigerant address "0".
LED 3 (communication between indoor and outdoor units)	Indicates state of communication between the indoor and outdoor units. Make sure that this LED is always blinking.



- Ⓐ Water supply pump
  - Ⓑ Water (about 1000 cc)
  - Ⓒ Drain plug
  - Ⓓ Pour water through outlet
- Be careful not to spray water into the drain pump mechanism.

Fig. 7-5

### 7.4. Check of drainage (Fig. 7-5)

- Ensure that the water is being properly drained out and that no water is leaking from joints.

**When electric work is completed.**

- Pour water during cooling operation and check.

**When electric work is not completed.**

- Pour water during emergency operation and check.

\* Drain pan and fan are activated simultaneously when single phase 220-240 V is turned on to S1 and S2 on terminal block after the connector (SWE) on controller board in the electrical branch box is set to ON.

Be sure to turn it back to the former state after work.

## 8. System control

Refer to the outdoor unit installation manual.



## 9. Installing the grille

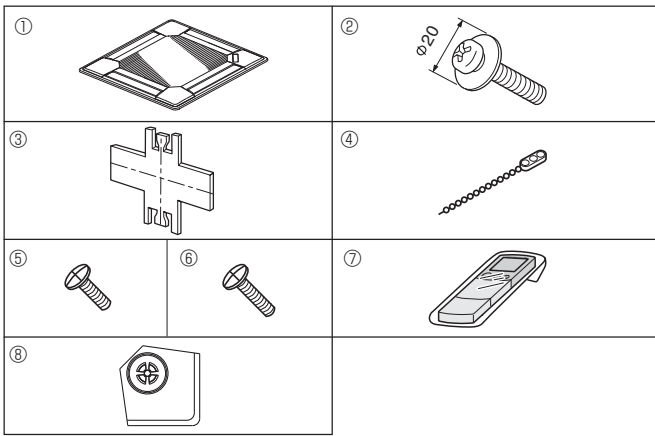


Fig. 9-1

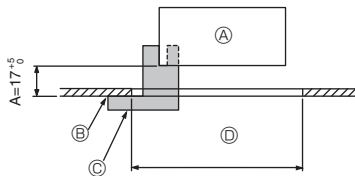


Fig. 9-2

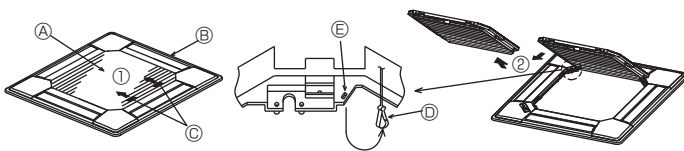


Fig. 9-3

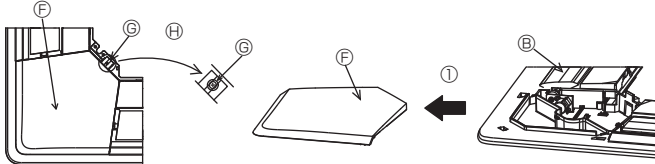


Fig. 9-4

	4-directional	3-directional
Blowout direction patterns	1 pattern: initial setting 	4 patterns: one air outlet fully closed 
Blowout direction patterns	2-directional 	

Table 1



Fig. 9-5

### 9.1. Checking the contents (Fig. 9-1)

- This kit contains this manual and the following parts.

	Accessory name	Qty	Remarks
①	Grille	1	950 × 950 (mm)
②	Screw with captive washer	4	M5 × 0.8 × 25
③	Gauge	1	(Divided into 4 parts)
④	Fastener	3	
⑤	Screw	4	4 × 8
⑥	Screw	1	4 × 12
⑦	Wireless remote controller	1	for PLP-6BALM, PLP-6BALME
⑧	i-see sensor corner panel	1	for PLP-6BAE, PLP-6BALME

### 9.2. Preparing to attach the grille (Fig. 9-2)

- With the gauge ③ supplied with this kit, adjust and check the positioning of the unit relative to the ceiling. If the unit is not properly positioned relative to the ceiling, it may allow air leaks or cause condensation to collect.
- Make sure that the opening in the ceiling is within the following tolerances: 860 × 860 - 910 × 910
- Make sure that A is performed within 17-22 mm. Damage could result by failing to adhere to this range.
  - Ⓐ Main unit
  - Ⓑ Ceiling
  - Ⓒ Gauge ③ (inserted into the unit)
  - Ⓓ Ceiling opening dimensions

#### 9.2.1. Removing the intake grille (Fig. 9-3)

- Slide the levers in the direction indicated by the arrows ① to open the intake grille.
- Unlatch the hook that secures the grille.
  - \* Do not unlatch the hook for the intake grille.
- With the intake grille in the "open" position, remove the hinge of the intake grille from the grille as indicated by the arrows ②.

#### 9.2.2. Removing the corner panel (Fig. 9-4)

- Remove the screw from the corner of the corner panel. Slide the corner panel as indicated by the arrow ① to remove the corner panel.

[Fig.9-3] [Fig.9-4]

- Ⓐ Intake grille
- Ⓑ Grille
- Ⓒ Intake grille levers
- Ⓓ Grille hook
- Ⓔ Hole for the grille's hook
- Ⓕ Corner panel
- Ⓖ Screw
- Ⓗ Detail

### 9.3. Selection of the air outlets

For this grille the discharge direction is available in 11 patterns. Also, by setting the remote controller to the appropriate settings, you can adjust the air-flow and speed. Select the required settings from the Table 1 according to the location in which you want to install the unit.

- Decide on the discharge direction pattern.
- Be sure to set the remote controller to the appropriate settings according to the number of air outlets and the height of the ceiling on which the unit will be installed.

Note:

For 3 and 2-directional, please use the air outlet shutter plate (option).

### 9.4. Installing the grille

#### 9.4.1. Preparations (Fig. 9-5)

- Install the 2 enclosed screws with washer ② in the main unit (at the corner drain pipe area and at the opposite corner) as shown in the diagram.

## 9. Installing the grille

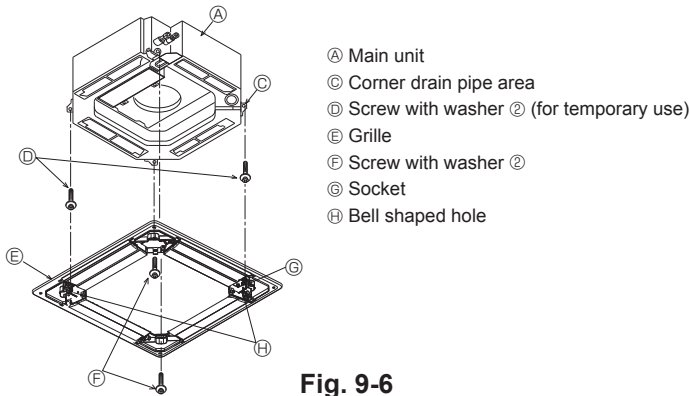


Fig. 9-6

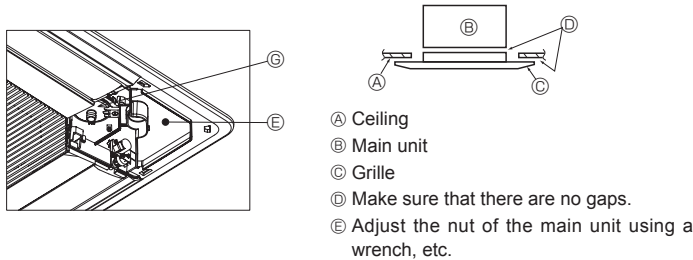


Fig. 9-7

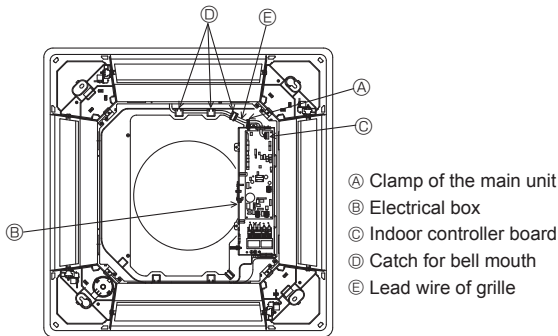


Fig. 9-8

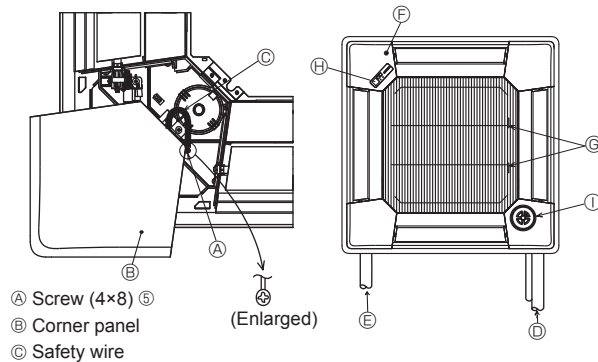


Fig. 9-9

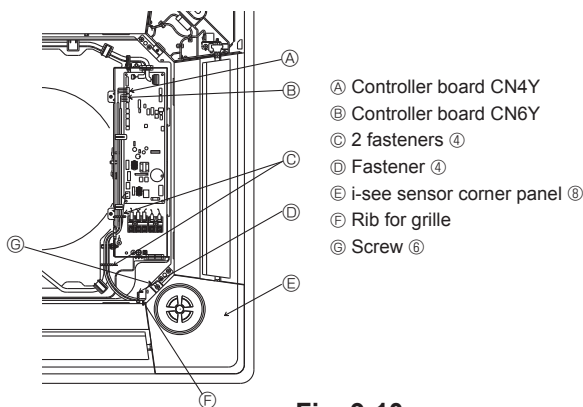


Fig. 9-10

### 9.4.2. Temporary installation of the grille (Fig. 9-6)

- Temporarily secure the grille using the bell shaped holes by putting the socket of the grille marked ③ on the corner drain pipe area of the main unit.
  - \* Make sure that the lead wiring of the grille does not get pinched between the grille and the main unit.

### 9.4.3. Securing the grille (Fig. 9-7)

- Secure the grille to the main unit by tightening the previously installed 2 screws (with captive washer) as well as the 2 remaining screws (with captive washer).
  - \* Make sure that there are no gaps between the main unit and the grille or the grille and the ceiling.

### Fixing gaps between the grille and the ceiling

With the grille attached, adjust the height of the main unit to close the gap.

### ⚠ Caution:

**When tightening the screw with captive washer ②, tighten it at a torque of 4.8 N·m or less. Never use an impact screwdriver.**

- It may result in parts damage.

### 9.4.4. Wire connection (Fig. 9-8)

- Remove the 2 screws fixing the cover of electrical branch box of the unit and open the cover.
  - Be sure to connect the connector(white, 20-pole) for vane motor of the grille to CNV connector of controller board of the unit.
  - As for PLP-6BALM(E), the connector of wireless sensor cable is also connected to connector CN90 on indoor controller board.
- The lead wire of grille is passed through the catch of bell mouth of the unit perfectly. The remaining lead wire is tied with clamp of the unit and put the cover of the unit again with 2 screws.

### Note:

**Do not put the remaining lead wire in electrical branch box of the unit.**

## 9.5. Installing the intake grille (Fig. 9-9)

### Note:

**When reinstalling the corner panels (each with a safety wire attached), connect the other end of each safety wire to the grille using a screw (4 pcs, 4×8) as shown in the illustration.**

\*If the corner panels are not attached, they may fall off while the unit is operating.

- Perform the procedure that is described in "9.2. Preparing to attach the grille" in reverse order to install the intake grille and the corner panel.
- Multiple units can be installed with grille so that the position of the logo on each corner panel is consistent with the other units regardless of the orientation of the intake grille. Align the logo on the panel according to the wishes of the customer as shown in the diagram to the left. (The position of the grille can be changed.)

- ① Refrigerant piping of the main unit
- ② Drain piping of the main unit
- ③ Initial position of the corner panel (logo attached)
- \* Installation in any position is possible.
- ④ Initial position of the levers on the intake grille
- \* Although the clips can be installed in any of 4 positions, the configuration shown here is recommended. (It is not necessary to remove the intake grille when maintenance is performed on the electric component box of the main unit.)

- ⑤ Receiver (Only PLP-6BALM, PLP-6BALME Panel)
- ⑥ i-see sensor (PLP-6BAE, PLP-6BAMDE, PLP-6BALME panel)

## 9.6. Installation of i-see sensor corner panel (Fig. 9-10)

For PLP-6BAE, PLP-6BAMDE, PLP-6BALME panel

- Take the lead wires CN4Y (white) and CN6Y (red) of the i-see sensor corner panel ⑤ from the side of the electrical box on the unit and make sure to connect them to the connector of the controller board.
- Lead wires of the i-see sensor corner panel ⑤ should be fixed at the rib of the grille with the fastener ④ so that there is no slack.
- Lead wires should be held together with the lead wires of the unit and fixed with 2 of the fastener ④ so that there is no slack.
- Put the cover back on the electrical box with 3 screws.
- \* Make sure wires are not caught in the cover of electric box. If they are caught, they will be cut.
- Adverse procedure of "9.2. Preparing to attach the grille" will be taken for installing the i-see sensor corner panel.
- \* The i-see sensor corner panel should be fixed onto the grille ① with screw ⑥.

## 9. Installing the grille

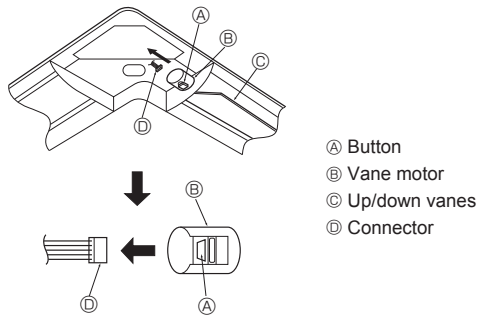


Fig. 9-11

### 9.7. Locking the up/down airflow direction (Fig. 9-11)

The vanes of the unit can be set and locked in up or down orientations depending upon the environment of use.

- Set according to the preference of the customer.  
The operation of the fixed up/down vanes and all automatic controls cannot be performed using the remote controller. In addition, the actual position of the vanes may differ from the position indicated on the remote controller.
- ① Turn off the main power switch.  
Injuries or an electrical shock may occur while the fan of the unit is rotating.
- ② Disconnect the connector for the vane motor of the vent that you want to lock.  
(While pressing the button, remove the connector in the direction indicated by the arrow as shown in the diagram.) After removing the connector, insulate it with tape. It also can be set by remote controller. Refer to 6.3.3.

### 9.8. Check

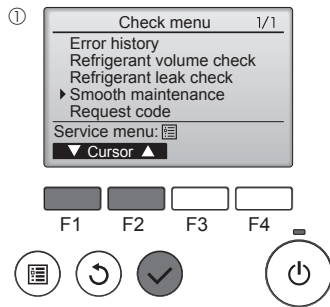
- Make sure that there is no gap between the unit and the grille, or between the grille and the surface of the ceiling. If there is any gap between the unit and the grille, or between the grille and the surface of the ceiling, it may cause dew to collect.
- Make sure that the wires have been securely connected.
- For PLP-6BAE, PLP-6BAMDE, PLP-6BALME, check the rotating movement of the i-see sensor. If the i-see sensor does not rotate, review the procedure in "9.6. Installation of i-see sensor corner panel".

## 10. Easy maintenance function

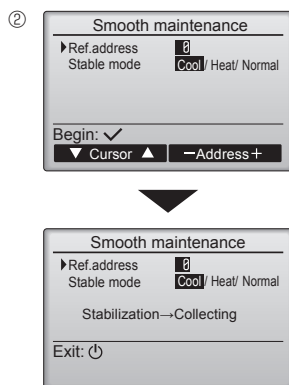
Maintenance data, such as the indoor/outdoor unit's heat exchanger temperature and compressor operation current can be displayed with "smooth maintenance".

**\* This cannot be executed during test operation.**

**\* Depending on the combination with the outdoor unit, this may not be supported by some models.**

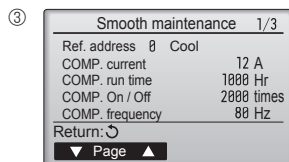


- Select "Service" from the Main menu, and press the [SELECT] button.
- Select "Check" with the [F1] or [F2] button, and press the [SELECT] button.
- Select "smooth maintenance" with the [F1] or [F2] button, and press the [SELECT] button.



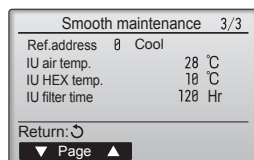
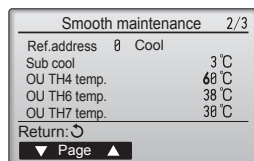
Select each item.

- Select the item to be changed with the [F1] or [F2] button.
- Select the required setting with the [F3] or [F4] button.  
"Ref. address" setting ..... "0" - "15"  
"Stable mode" setting ..... "Cool" / "Heat" / "Normal"
- Press the [SELECT] button, fixed operation will start.  
\* Stable mode will take approx. 20 minutes.



The operation data will appear.

The Compressor-Accumulated operating (COMP. run) time is 10-hour unit, and the Compressor-Number of operation times (COMP. On/Off) is a 100-time unit (fractions discarded)



#### Navigating through the screens

- To go back to the Main menu ..... [MENU] button
- To return to the previous screen ..... [RETURN] button

# Содержание

1. Меры предосторожности.....	200	6. Электрические работы .....	205
2. Место установки .....	201	7. Выполнение испытания.....	211
3. Установка внутреннего прибора.....	201	8. Управление системой .....	214
4. Прокладка труб хладагента .....	203	9. Установка вентиляционной решетки.....	215
5. Дренажные трубы.....	204	10. Функция простого техобслуживания .....	217

**Примечание:**  
В этом руководстве по использованию аппарата фраза “проводной пульт дистанционного управления” относится к пульту дистанционного управления PAR-31MAA.  
Сведения о других пультах дистанционного управления приводятся в руководстве по установке или руководстве по начальным настройкам, находящемся в этих коробках.

## 1. Меры предосторожности

- ▶ До установки прибора убедитесь, что Вы прочли все “Меры предосторожности”.
- ▶ Пожалуйста, перед подключением данного оборудования к системе электропитания, сообщите об этом своему поставщику электропитания или получите его разрешение.

**⚠ Предупреждение:**  
Описывает меры предосторожности, необходимые для предотвращения получения травмы или гибели пользователя.

**⚠ Осторожно:**  
Описывает меры предосторожности, необходимые для предотвращения повреждения прибора.

- ⚠ Предупреждение:**
  - Для выполнения установки прибора обратитесь к дилеру или сертифицированному техническому специалисту.
  - Запрещается самостоятельный ремонт или перемещение прибора.
  - При установочных работах следуйте инструкциям в Руководстве по установке и используйте инструменты и детали трубопроводов, специально предназначенные для использования с хладагентом, указанным в руководстве по установке наружного прибора.
  - Прибор должен быть установлен согласно инструкциям, чтобы свести к минимуму риск повреждения от землетрясений, тайфунов или сильных порывов ветра. Неправильно установленный прибор может упасть и причинить повреждение или нанести травму.
  - Прибор должен быть установлен на конструкции, способной выдержать его вес.
  - Если кондиционер установлен в небольшом помещении, необходимо принять меры для предотвращения концентрации хладагента свыше безопасных пределов в случае утечки хладагента. В случае утечки хладагента и превышении допустимого его концентрации из-за нехватки кислорода в помещении может произойти несчастный случай.
  - Если во время работы прибора произошла утечка хладагента, проветрите помещение. При контакте хладагента с пламенем образуются ядовитые газы.
  - Все электроработы должны выполняться квалифицированными техническим специалистом в соответствии с местными правилами и инструкциями, приведенными в данном Руководстве.
  - Используйте для проводки указанные кабели. Убедитесь, что кабели надежно соединены, а оконечные соединения не натянуты. Никогда не соединяйте кабели внахлест (если иное не указано в прилагаемой документации). Несоблюдение этих инструкций может привести к перегреву или возгоранию.
  - Установку необходимо выполнять в соответствии с действующими правилами электробезопасности.

После окончания установочных работ проинструктируйте пользователя относительно правил эксплуатации и обслуживания аппарата, а также ознакомьте с разделом “Меры предосторожности” в соответствии с информацией, приведенной в Руководстве по использованию аппарата, и выполните тестовый прогон аппарата для того, чтобы убедиться, что он работает нормально. Обязательно передайте пользователю на хранение экземпляры Руководства по установке и Руководства по эксплуатации. Эти Руководства должны быть переданы и последующим пользователям данного прибора.

**⚡** : Указывает, что данная часть должна быть заземлена.

**⚠ Предупреждение:**  
Внимательно прочтите текст на этикетках главного прибора.

- Данный прибор не предназначен для использования людьми (включая детей) с ограниченными физическими, сенсорными или психическими возможностями. При недостатке опыта и знаний разрешается пользоваться данным прибором только под наблюдением лица, ответственного за безопасность, или после инструктажа по использованию прибора.
- Следует следить за детьми, чтобы они не играли с устройством.
- Крышка клеммной коробки должна быть надежно присоединена к прибору.
- Поврежденный кабель из комплекта поставки должен быть заменен в целях безопасности производителем, сервисным агентом или лицами, обладающими необходимой квалификацией.
- Используйте только те дополнительные принадлежности, на которые имеется разрешение от Mitsubishi Electric; для их установки обратитесь к дилеру или уполномоченному техническому специалисту.
- Пользователю не следует пытаться ремонтировать прибор или перемещать его на другое место.
- По окончании установки убедитесь в отсутствии утечки хладагента. Если хладагент проникнет в помещение и произойдет контакт его с пламенем обогревателя или переносного пищевого нагревателя, образуются ядовитых газов.
- При монтаже или перемещении, а также при обслуживании кондиционера используйте только указанный хладагент (R410A) для заполнения трубопроводов хладагента. Не смешивайте его ни с каким другим хладагентом и не допускайте наличия воздуха в трубопроводах. Наличие воздуха в трубопроводах может вызывать скачки давления, в результате которых может произойти взрыв или другие повреждения. Использование любого хладагента, отличного от указанного для этой системы, вызовет механическое повреждение, сбой в работе системы, или выход устройства из строя. В наихудшем случае, это может послужить серьезной преградой к обеспечению безопасной работы этого изделия.

### 1.1. Перед установкой (Окружающая среда)

- ⚠ Осторожно:**
  - Не используйте прибор в нестандартной окружающей среде. Установка кондиционера в местах, подверженных воздействию пара, летучих масел (включая машинное масло) или сернистых испарений, местах с повышенной концентрацией соли (таких, как берег моря), может привести к значительному снижению эффективности работы прибора или повреждению его внутренних частей.
  - Не устанавливайте прибор в местах, где возможна утечка, возникновение, приток или накопление горючих газов. Если горючий газ будет накапливаться вокруг прибора, это может привести к возникновению пожара или взрыву.
  - Не держите пищевые продукты, растения, домашних животных в клетках, произведения искусства и точные инструменты в прямом потоке воздуха от внутреннего прибора или слишком близко к нему, поскольку эти предметы могут быть повреждены перепадами температуры или каплюющей водой.

- При уровне влажности в помещении выше 80% или закупорке дренажной трубы из внутреннего прибора может капать вода. Не устанавливайте внутренний прибор в местах, где такие капли могут вызвать какое-либо повреждение.
- При монтаже прибора в больнице или центре связи примите во внимание шумовое и электронное воздействие. Работа таких устройств, как инверторы, бытовые приборы, высокочастотное медицинское оборудование и оборудование радиосвязи может вызвать сбой в работе кондиционера или его поломку. Кондиционер также может повлиять на работу медицинского оборудования и медицинское обслуживание, работу коммуникационного оборудования, вызывая искажение изображения на дисплее.

### 1.2. Перед установкой или перемещением

- ⚠ Осторожно:**
  - Будьте чрезвычайно осторожны при транспортировке приборов. Прибор должны переносить два или более человека, поскольку он весит не менее 20 кг. Не поднимайте прибор за упаковочные ленты. Используйте защитные перчатки, поскольку можно повредить руки ребристыми деталями или другими частями прибора.
  - Утилизируйте упаковочные материалы надлежащим образом. Упаковочные материалы, такие, как гвозди и другие металлические или деревянные части, могут поранить или причинить другие травмы.
  - Для предотвращения конденсации необходимо обеспечить теплоизоляцию трубы хладагента. Если труба хладагента не изолирована должным образом, при работе прибора будет образовываться конденсат.

- Оберните трубы теплоизоляционным материалом для предотвращения конденсации. Если дренажная труба установлена неправильно, это может вызвать протечку воды и испортить потолок, пол, мебель или другое имущество.
- Не мойте кондиционер водой. Это может привести к поражению электрическим током.
- Заключивайте все хомуты на муфтах в соответствии со спецификациями, используя затяжку с регулируемым усилием. Слишком сильно затянутый хомут муфты по прошествии некоторого времени может сломаться.

### 1.3. Перед электрическими работами

- ⚠ Осторожно:**
  - Обязательно установите автоматические выключатели. В противном случае возможно поражение электрическим током.
  - Используйте для электропроводки стандартные кабели, рассчитанные на соответствующую мощность. В противном случае может произойти короткое замыкание, перегрев или пожар.
  - При монтаже кабелей питания не прикладывайте растягивающих усилий.

- Обязательно заземлите прибор. Отсутствие надлежащего заземления может привести к поражению электрическим током.
- Используйте автоматические выключатели (прерыватель утечки тока на землю, разъединитель (плакий предохранитель +V) и предохранитель корпуса) с указанным предельным током. Если предельный ток автоматического выключателя больше, чем необходимо, может произойти поломка или пожар.

### 1.4. Перед тестовым прогоном

- ⚠ Осторожно:**
  - Включайте главный выключатель питания не позднее, чем за 12 часов до начала эксплуатации. Запуск прибора сразу после включения выключателя питания может серьезно повредить внутренние части.
  - Перед началом эксплуатации проверьте, что все пульта, щитки и другие защитные части правильно установлены. Вращающиеся, нагретые или находящиеся под напряжением части могут нанести травмы.
  - Не включайте кондиционер без установленного воздушного фильтра. Если воздушный фильтр не установлен, в приборе может накопиться пыль, что может привести к его поломке.

- Не прикасайтесь ни к каким выключателям влажными руками. Это может привести к поражению электрическим током.
- Не прикасайтесь к трубам с хладагентом голыми руками во время работы прибора.
- После остановки прибора обязательно подождите по крайней мере пять минут перед выключением главного выключателя питания. В противном случае возможна протечка воды или поломка прибора.

## 2. Место установки

Смотрите руководство по установке наружного прибора.

## 3. Установка внутреннего прибора

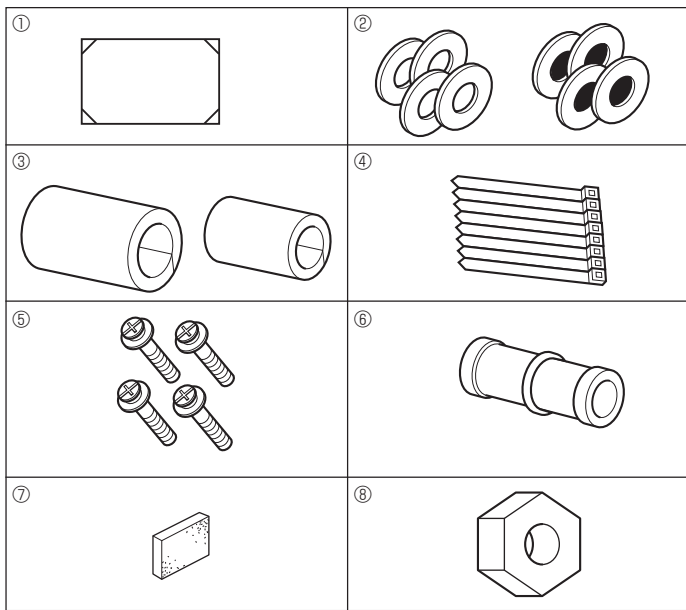


Fig. 3-1

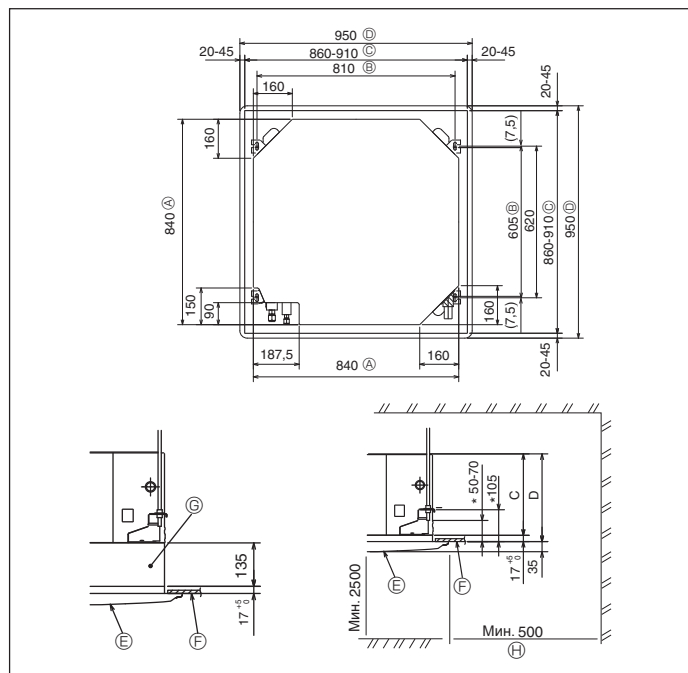


Fig. 3-2

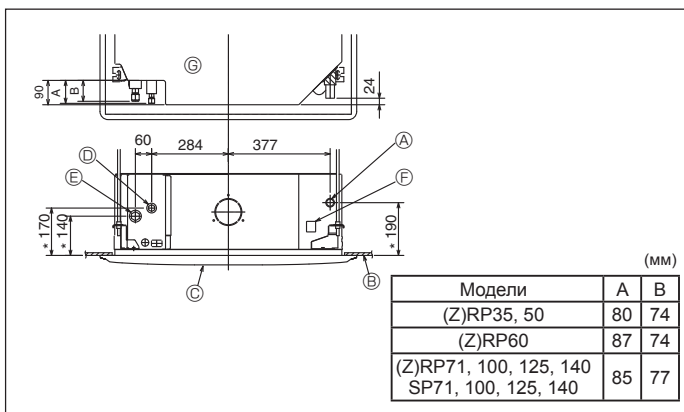


Fig. 3-3

### 3.1. Проверьте наличие дополнительных принадлежностей к внутреннему прибору (Fig. 3-1)

Внутренний прибор должен поставляться в комплекте со следующими дополнительными принадлежностями:

№	Название приспособления	Количество
①	Установочный шаблон	1
②	Прокладка (с изоляцией) Прокладка (без изоляции)	4
③	Изоляция для труб (для соединения труб хладагента) малого диаметра большого диаметра	1
④	Лента	8
⑤	Винт с прокладкой (M5 × 25) для установки решетки	4
⑥	Соединительная муфта для дренажа	1
⑦	Изоляция	1
⑧	Гайка раструбного стыка 1/4F(P60)	1

### 3.2. Расположение отверстия в потолке и навесных болтов (Fig. 3-2)

⚠ Осторожно:

Устанавливайте внутренний прибор на высоте не менее 2,5 м от пола или уровня грунта.

Для устройств, доступных только для специалистов.

• С помощью установочного шаблона (верх упаковки) и калибра (поставляется в комплекте дополнительных принадлежностей к решетке) проделайте отверстие в потолке таким образом, чтобы главный прибор можно было установить, как показано на диаграмме. (Метод использования шаблона и калибра указан.)

\* Прежде, чем использовать шаблон и калибр, проверьте их размеры, поскольку они меняются из-за перепадов температур и влажности.

\* Размер потолочного отверстия можно регулировать в пределах, указанных на Fig. 3-2, таким образом, чтобы отцентровать главный прибор в потолочном отверстии, обеспечив одинаковые зазоры по всем соответствующим противоположным сторонам.

• Используйте навесные болты M10 (3/8").

\* Навесные болты приобретаются на месте.

• Выполните установку, убедившись, что между потолочной панелью и решеткой, а также между главным прибором и решеткой нет зазора.

- |                                    |  |
|------------------------------------|--|
| Ⓐ Внешняя сторона главного прибора | Ⓔ Решетка                                      |
| Ⓑ Шаг болта                        | Ⓕ Потолок                                      |
| Ⓒ Потолочное отверстие             | Ⓖ Многофункциональный оконный переплет (опция) |
| Ⓓ Внешние стороны решетки          | Ⓗ Общее пространство                           |

\* Отметьте, что расстояние между потолочной панелью прибора и потолком и т.д. должно быть от 10 до 15 мм влево.

\* При установке опционального многофункционального оконного переплета добавьте 135 мм к расстояниям, приведенным на рисунке.

(мм)

Модели	C	D
PLA-RP35/50/60/71BA(2) PLA-ZRP35/50/60BA PLA-SP71BA	241	258
PLA-RP100/125/140BA(2) PLA-RP100BA3 PLA-ZRP71/100/125/140BA PLA-SP100/125/140BA	281	298

### 3.3. Расположение труб хладагента и дренажных труб для внутреннего блока

Цифры, помеченная символом \* на рисунке, представляют габариты основного прибора за исключением габаритов опционального многофункционального оконного переплета. (Fig. 3-3)

- |                               |
|-------------------------------|
| Ⓐ Дренажная труба             |
| Ⓑ Потолок                     |
| Ⓒ Решетка                     |
| Ⓓ Труба хладагента (жидкость) |
| Ⓔ Труба хладагента (газ)      |
| Ⓕ Отверстие подачи воды       |
| Ⓖ Основной прибор             |

\* При установке опционального многофункционального оконного переплета добавьте 135 мм к расстояниям, приведенным на рисунке.

### 3. Установка внутреннего прибора

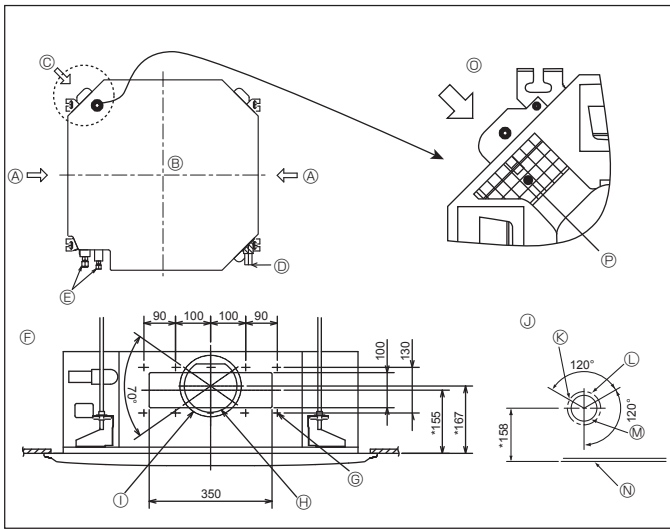


Fig. 3-4

#### 3.4. Отверстие для ответвления вентиляционного канала и входное отверстие для свежего воздуха (Fig. 3-4)

Во время установки по мере необходимости используйте отверстия вентиляционного канала (вырезанные), расположенные в позициях, показанных на Fig. 3-4.

• Также можно проделать входное отверстие для свежего воздуха для опционального многофункционального оконного переплета.

**Примечание:**

Цифры, помеченные \* на рисунке представляют размеры основного прибора, не включая размеры опционального многофункционального оконного переплета. При установке многофункционального оконного переплета добавьте 135 мм к размерам, обозначенным на рисунке.

При установке ответвлений вентиляционного канала тщательно оберните их изоляцией. В противном случае возможно образование конденсации и капание воды.

Во время создания входного отверстия для свежего воздуха, убедитесь, что вы удалили изоляционный материал (E), который наложен на внутренний прибор.

- A Отверстие для ответвления вентиляционного канала
- B Внутренний прибор
- C Входное отверстие для свежего воздуха
- D Дренажная труба
- E Труба хладагента
- F Диаграмма отверстия для ответвления вентиляционного канала (вид с обеих сторон)
- G Отверстие 14- $\varnothing$ 2,8
- H Вырезное отверстие  $\varnothing$ 150
- I Шаг отверстия  $\varnothing$ 175
- J Диаграмма входного отверстия для свежего воздуха
- K Отверстие 3- $\varnothing$ 2,8
- L Шаг отверстия  $\varnothing$ 125
- M Вырезное отверстие  $\varnothing$ 100
- N Потолок
- O Подробный рисунок демонстрирующий удаление изоляционного материала
- P Изоляционный материал

#### 3.5. Подвесная конструкция (Обеспечьте прочность на месте подвешивания) (Fig. 3-5)

Потолочные конструкции могут быть разными, в зависимости от конструкции здания. Следует проконсультироваться со строительной и ремонтной организацией.

- (1) Снятие потолочного покрытия: Потолок должен быть абсолютно горизонтальным и потолок (деревянные плиты и балки) следует укрепить, чтобы обеспечить защиту потолка от вибрации.
- (2) Вырежьте участок потолочной плиты и снимите его.
- (3) Укрепите края потолочной плиты по местам среза и закрепите ее дополнительным материалом по краям.
- (4) При установке прибора на покато потолке, вставьте опору между потолком и решеткой так, чтобы прибор был установлен горизонтально.

- ① Деревянные конструкции
  - В качестве укрепления используйте анкерные балки (одноэтажные дома) или балки перекрытия (двухэтажные дома).
  - Деревянные балки для подвешивания кондиционера должны быть прочными и их боковые стороны должны быть длиной не менее 6 см, если балки разделяются не более, чем 90 см; их боковые стороны должны быть длиной не менее 9 см, если балки разделяются расстоянием 180 см. Размер навесных болтов должен быть  $\varnothing$ 10 (3/8"). (Болты не поставляются вместе с прибором.)

- ② Железобетонные конструкции

Закрепляйте навесные болты, используя указанный метод, или используйте стальные или деревянные подвесные крепления и т.д. для установки навесных болтов.

#### 3.6. Порядок подвешивания прибора (Fig. 3-6)

Подвешивайте главный прибор, как указано на диаграмме.

Цифры, указанные в круглых скобках, представляют расстояния в случае установки опционального многофункционального оконного переплета.

1. Заранее установите детали на навесные болты в следующем порядке: прокладки (с изоляцией), прокладки (без изоляции) и гайки (двойные).
  - Установите прокладку с изоляцией таким образом, чтобы изоляция была направлена вниз.
  - При использовании верхних прокладок для подвешивания главного прибора нижние прокладки (с изоляцией) и гайки (двойные) устанавливаются позднее.
2. Поднимите прибор на требуемую высоту до навесных болтов, чтобы вставить плиту для навешивания прибора между прокладками, а затем надежно закрепит ее.
3. Если нельзя совместить главный прибор с отверстием для навешивания на потолок, регулировка производится с помощью щели, имеющейся на плите для навешивания прибора.
  - Убедитесь в том, что операция A выполняется в пределах 17-22 мм. Несоблюдение данного предела может в результате привести к повреждениям. (Fig. 3-7)

**⚠ Осторожно:**

Используйте верхнюю половину коробки в качестве защитного кожуха для предотвращения попадания пыли и мусора внутрь прибора до установки декоративной крышки или при нанесении потолочных материалов.

#### 3.7. Проверка расположения главного прибора и затягивание навесных болтов (Fig. 3-8)

- С помощью калибра, прикрепленного к решеткам, убедитесь, что низ главного прибора ориентирован должным образом по отношению к потолочному отверстию. Подтвердите это, в противном случае возможно капание конденсации вследствие проникновения воздуха и т.д.
- Убедитесь, что главный прибор установлен строго по горизонтали: используйте уровень или виниловую трубку, наполненную водой.
- После проверки расположения главного прибора надежно затяните гайки навесных болтов, чтобы закрепить главный прибор.
- Установочный шаблон (верх упаковки) можно использовать в качестве защитного кожуха для предотвращения попадания пыли внутрь главного прибора, пока решетки не установлены, или при отделке потолка по окончании установки прибора.

\* Дополнительная информация по монтажу приводится на самом установочном шаблоне.

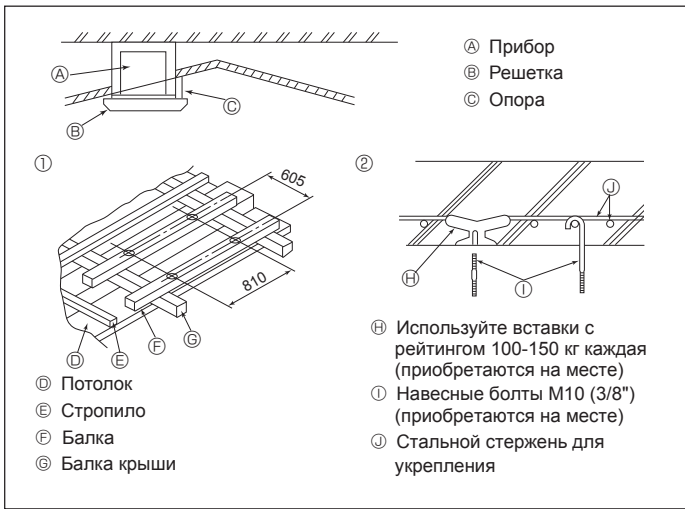


Fig. 3-5

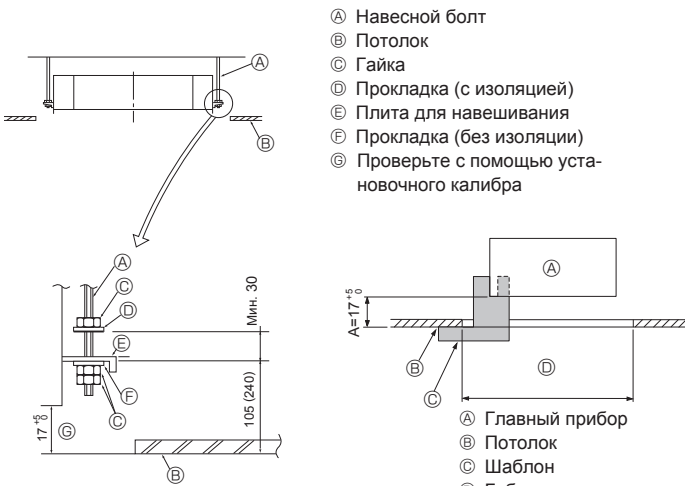


Fig. 3-6

Fig. 3-7

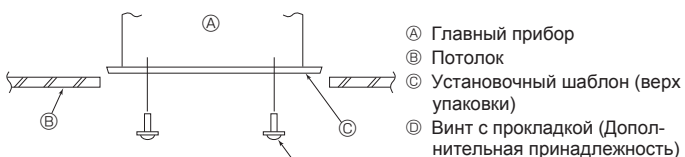


Fig. 3-8

## 4. Прокладка труб хладагента

### 4.1. Меры предосторожности

Для устройств, в которых используется хладагент R410A

- Используйте в качестве масла охлаждения для покрытия соединительных муфт масло сложного или простого эфира или алкинбензол (небольшое количество).
- Для соединения медных или медносплавных бесшовных труб, предназначенных для хладагента, используйте медный фосфор С1220. Используйте трубы для хладагента соответствующей толщины для каждого случая; значения толщины приведены в таблице ниже. Удостоверьтесь, что изнутри трубы чисты и не содержат никаких вредных загрязнителей, таких, как соединения серы, окислители, мелкий мусор или пыль.

#### ⚠ Предупреждение:

При монтаже или перемещении, а также при обслуживании кондиционера используйте только указанный хладагент (R410A) для заполнения трубопроводов хладагента. Не смешивайте его ни с каким другим хладагентом и не допускайте наличия воздуха в трубопроводах.

Наличие воздуха в трубопроводах может вызывать скачки давления, в результате которых может произойти взрыв или другие повреждения.

Использование любого хладагента, отличного от указанного для этой системы, вызовет механическое повреждение, сбой в работе системы, или выход устройства из строя. В наихудшем случае, это может послужить серьезной преградой к обеспечению безопасной работы этого изделия.

	(Z)RP35, 50	(Z)RP60-140	SP71-140
Труба для жидкости	ø6,35 толщина 0,8 мм	ø9,52 толщина 0,8 мм	
Труба для газа	ø12,7 толщина 0,8 мм	ø15,88 толщина 1,0 мм	

- Не используйте трубы более тонкие, чем указано выше.

### 4.2. Соединение труб (Fig. 4-1)

- При использовании медных труб, имеющихся в продаже, оберните трубы для жидкости и газа имеющимися в продаже изоляционными материалами (с теплозащитой от 100 °C или выше, толщиной не менее 12 мм).
- Внутренняя часть дренажной трубы должна быть обернута в пенополиэтиленовый изолирующий материал (удельный вес 0,03; толщина 9 мм или более).
- Нанесите тонкий слой масла хладагента на контактную поверхность труб и соединений перед тем, как затягивать гайку с фланцем.
- Для затягивания трубных соединений используйте два гаечных ключа.
- Используйте прилагаемое трубное изоляционное покрытие для изоляции соединений внутреннего блока. Тщательно крепите изоляцию.

#### ⓐ Момент затяжки гайки раструбного стыка

Медная труба O.D. (мм)	Гайка раструбного затяжки (мм)	Момент затяжки (Н·м)
ø6,35	17	14-18
ø6,35	22	34-42
ø9,52	22	34-42
ø12,7	26	49-61
ø12,7	29	68-82
ø15,88	29	68-82
ø15,88	36	100-120
ø19,05	36	100-120

- Нанесите машинное масло охлаждения на всю поверхность области присоединения муфты.

- Используйте надлежащие гайки раструбного стыка, подходящие к размеру трубы наружного прибора.

#### Имеющийся размер трубы

	(Z)RP35, 50	(Z)RP60	(Z)RP71-140	SP71-140
Сторона жидкости	ø6,35 O	ø6,35	—	—
Сторона газа	ø12,7 O	ø15,88 O	ø9,52 O	ø15,88 O

O : Крепление гайки раструбного стыка к теплообменнику, выполненное на предприятии-изготовителе.

#### ⚠ Предупреждение:

При установке прибора надежно подсоедините трубы подачи охлаждающей жидкости до запуска компрессора.

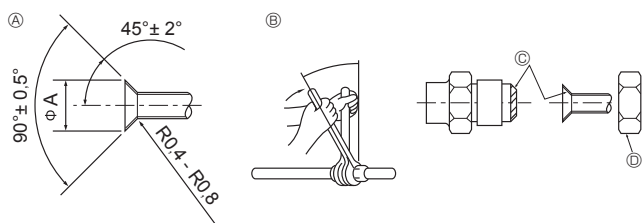


Fig. 4-1

#### ⓐ Раструбный стык - размеры

Медная труба O.D. (мм)	Размеры раструба, диаметр A (мм)
ø6,35	8,7 - 9,1
ø9,52	12,8 - 13,2
ø12,7	16,2 - 16,6
ø15,88	19,3 - 19,7
ø19,05	23,6 - 24,0

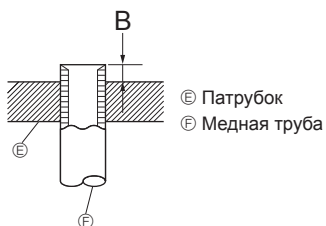


Fig. 4-2

Kupferrohr O.D. (мм)	В (мм)
	стыка для R410A Инструмент раструбного
ø6,35 (1/4")	0 - 0,5
ø9,52 (3/8")	0 - 0,5
ø12,7 (1/2")	0 - 0,5
ø15,88 (5/8")	0 - 0,5
ø19,05 (3/4")	0 - 0,5

## 4. Прокладка труб хладагента

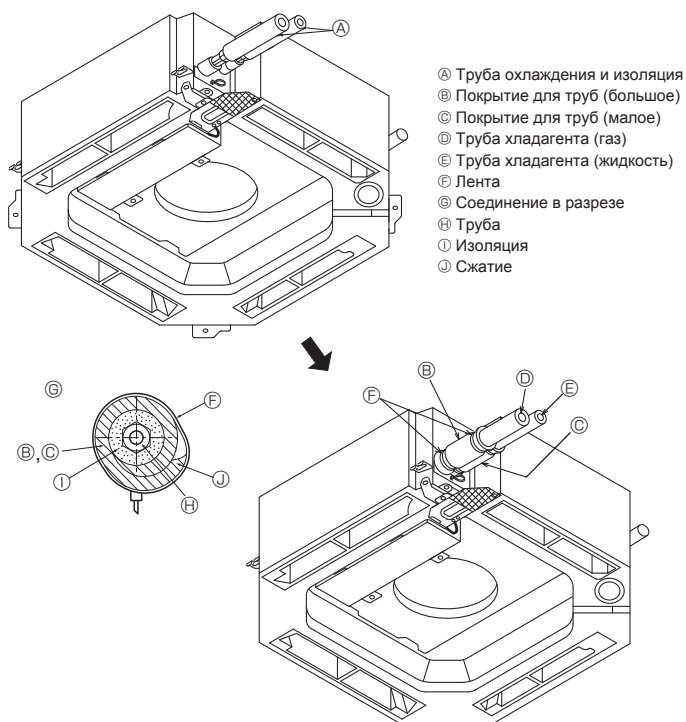


Fig. 4-3

## 5. Дренажные трубы

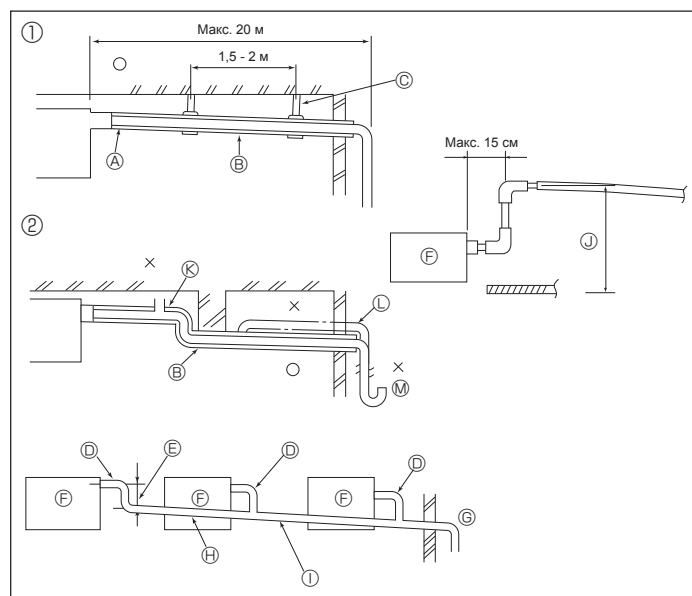


Fig. 5-1

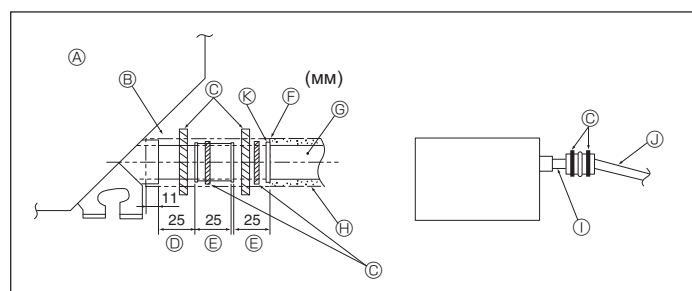


Fig. 5-2

### 4.3. Внутренний прибор (Fig. 4-3)

#### Теплоизоляция для труб хладагента:

- 1 Оберните поставляемую изоляцию большого диаметра вокруг трубы для газа и убедитесь в том, что край изоляции касается боковой стороны прибора.
  - 2 Оберните поставляемую изоляцию малого диаметра вокруг трубы для жидкости и убедитесь в том, что край изоляции касается боковой стороны прибора.
  - 3 Зафиксируйте оба конца каждого изоляционного покрытия с помощью поставленных лент. (Прикрепите ленты на расстоянии 20 мм от краев изоляции.)
- После подсоединения труб хладагента к внутреннему прибору обязательно проверьте соединения труб на утечку газа с помощью азота. (Проверьте отсутствие утечки хладагента из труб хладагента во внутренний прибор.)

### 4.4. Для комбинации из двух/трех элементов

Смотрите руководство по установке наружного прибора.

### 5.1. Дренажные трубы (Fig. 5-1)

- Используйте трубы VP25 (Трубы из ПВХ, O.D.  $\varnothing 32$ ) для дренажа, при этом обеспечьте наклон 1/100 или более.
- Для соединения труб используйте клей семейства ПВ.
- Следуйте схематическому рисунку при подсоединении труб.
- Для изменения направления дренажа используйте входящий в комплект поставки дренажный шланг.

- |                                  |                         |
|----------------------------------|-------------------------|
| ① Правильное соединение труб     | Ⓞ Поддерживающий металл |
| ② Неправильное соединение труб   | Ⓚ Выпуск воздуха        |
| Ⓐ Изоляция (9 мм или больше)     | Ⓛ Поднятие              |
| Ⓑ Наклон вниз (1/100 или больше) | Ⓜ Ловушка запахов       |

#### Сгруппированные трубы

- |  |  |
|--|--|
| Ⓟ Трубы из ПВХ, O.D. $\varnothing 32$                            | Ⓢ Наклон вниз (1/100 или больше)   |
| Ⓠ Сделайте ее как можно большей                                  | ① Трубы из ПВХ, O.D. $\varnothing 38$ для сгруппированных труб. (9 мм изоляция или больше) |
| Ⓡ Внутренний прибор  | ② До 85 см   |
| Ⓢ Устанавливайте трубы большого размера для сгруппированных труб |  |

1. Подсоедините соединительную муфту для дренажа (входит в комплект поставки прибора) к дренажному порту. (Fig. 5-2)  
(Закрепите трубу с помощью клея ПВХ, а затем с помощью ленты.)
2. Установите дренажные трубы (закупаются на месте). (Трубы из ПВХ, O.D.  $\varnothing 32$ .)  
(Закрепите трубу с помощью клея ПВХ, а затем с помощью ленты.)
3. Оберните изоляцию вокруг труб. (Трубы из ПВХ, O.D.  $\varnothing 32$  и гнездо)
4. Проверьте дренирование.
5. Изолируйте дренажный порт изоляционным материалом, затем закрепите материал лентой. (Изоляция и лента входят в комплект прибора.)

- |                                     |   |
|-------------------------------------|---|
| Ⓐ Прибор                            | Ⓝ Дренажная труба (Трубы из ПВХ, O.D. $\varnothing 32$ )        |
| Ⓑ Изоляция                          | Ⓞ Изоляция (приобретается на месте)                             |
| Ⓒ Лента                             | Ⓟ Неподготовленная труба из ПВХ                                 |
| Ⓓ Дренажный порт (неподготовленный) | ① Трубы из ПВХ, O.D. $\varnothing 32$ (Наклон 1/100 или больше) |
| Ⓔ Запас                             | Ⓠ Соединительная муфта для дренажа                              |
| Ⓡ Соответствие                      |   |



## 6. Электрические работы

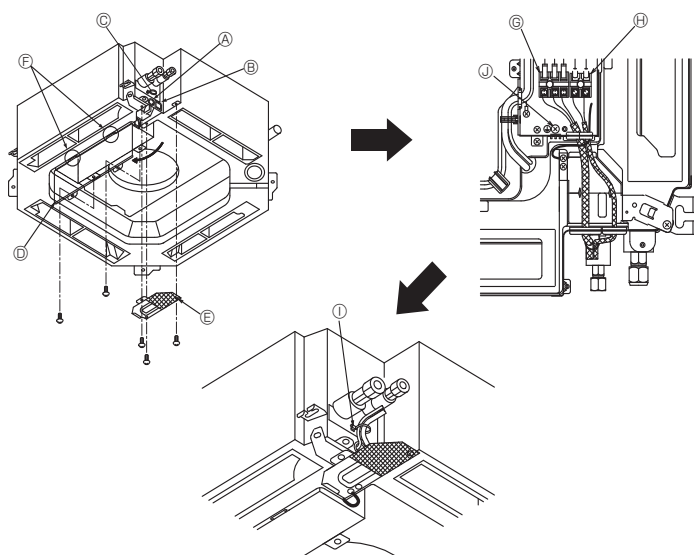


Fig. 6-1

### 6.1. Внутренний прибор (Fig. 6-1)

1. Снимите сервисную панель электропроводки.
  2. Снимите крышку распределительного щита.
  3. Проложите силовые кабели и кабели управления отдельно через соответствующие вводы проводки, указанные на диаграмме.
- Не допускайте, чтобы винты клемм были ослаблены.
  - Оставьте достаточную длину проводов с тем, чтобы электрокоробку можно было повесить под прибором при проведении сервисных работ. (Примерно 50 - 100 мм припуск)

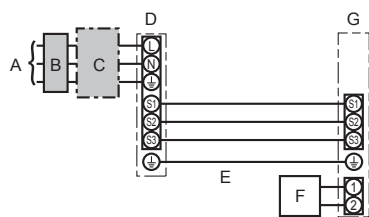
- Ⓐ Входное отверстие для кабеля управления
- Ⓑ Вход силового кабеля
- Ⓒ Зажим
- Ⓓ Крышка распределительного щита
- Ⓔ Сервисная панель для электропроводки
- Ⓕ Крюк для временной фиксации крышки распределительного щита
- Ⓖ Соединительные клеммы внутреннего/внешнего прибора
- Ⓗ Соединитель пульта дистанционного управления
- Ⓘ Зафиксируйте с помощью зажима
- ⓵ Клемма заземления

#### 6.1.1. Питание на внутренний прибор подается от наружного прибора

Имеются следующие шаблоны подключения.

Конструкция блока питания внешнего прибора зависит от модели.

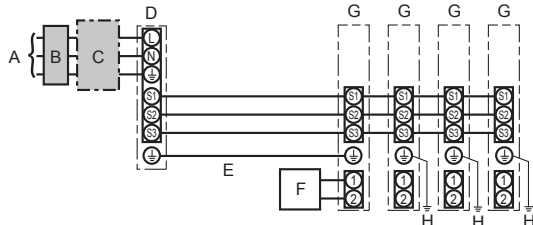
#### Система 1:1



- Ⓐ Источник электропитания наружного прибора
- Ⓑ Прерыватель утечки на землю
- Ⓒ Прерыватель проводной цепи или изолирующий выключатель
- Ⓓ Наружный прибор
- Ⓔ Соединительные провода внутреннего прибора/наружного прибора
- Ⓕ Пульт дистанционного управления
- Ⓖ Внутренний прибор

\* Прикрепите бирку А, прилагаемую к руководствам, около каждой схемы подключения для внутреннего и наружного приборов.

#### Одновременная двойная/тройная/четверная система



- Ⓐ Источник электропитания наружного прибора
- Ⓑ Прерыватель утечки на землю
- Ⓒ Прерыватель проводной цепи или изолирующий выключатель
- Ⓓ Наружный прибор
- Ⓔ Соединительные провода внутреннего прибора/наружного прибора
- Ⓕ Пульт дистанционного управления
- Ⓖ Внутренний прибор
- Ⓗ Заземление внутреннего прибора

\* Прикрепите бирку А, прилагаемую к руководствам, около каждой схемы подключения для внутреннего и наружного приборов.

Модель внутреннего прибора		PLA	
Электропроводка Провод № x размер (мм²)	Внутренний прибор-Наружный прибор	*1	3 × 1,5 (полярный)
	Заземление внутреннего/наружного прибора	*1	1 × Мин. 1,5
	Заземление внутреннего прибора		1 × Мин. 1,5
	Пульт дистанционного управления - Внутренний прибор	*2	2 × 0,3 (неполярный)
Мощность цепи	Внутренний прибор (Обогреватель) L-N	*3	—
	Внутренний прибор-Наружный прибор S1-S2	*3	AC 230 V
	Внутренний прибор-Наружный прибор S2-S3	*3	DC24 V
	Пульт дистанционного управления - Внутренний прибор	*3	DC12 V

\*1. <Для внешних приборов типов 35-140>

Макс. 45 м

Если используется 2,5 мм², макс. 50 м

Если используется 2,5 мм² и отдельный S3, макс. 80 м

<Для внешнего прибора типа 200/250>

Макс. 18 м

Если используется 2,5 мм², макс. 30 м

Если используется 4 мм² и отдельный S3, макс. 50 м

Если используется 6 мм² и отдельный S3, макс. 80 м

\*2. К аксессуару пульта дистанционного управления прилагается провод 10 м. Макс. 500 м

\*3. Величины HE всегда измерены относительно земли.

Разница потенциалов выводов S3 и S2 составляет 24 В постоянного тока. Между выводами S3 и S1 нет электрической изоляции с помощью трансформатора или другого устройства.

**Примечания:** 1. Диаметр проводов должен соответствовать применимым местным и национальным нормам.

2. Силовые кабели и кабели соединения Внутреннего/Наружного прибора не должны быть легче экранированного гибкого провода из полихлоропрена (модель 60245 IEC 57).

3. Длина устанавливаемого кабеля заземления должна превышать длину других кабелей.

#### ⚠ Предупреждение:

Никогда не подсоединяйте внахлест силовой кабель или соединительный кабель внешнего питания. Это может привести к задымлению, возгоранию или неисправности.

## 6. Электрические работы

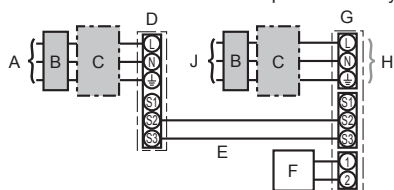
### 6.1.2. Отдельные источники электропитания для внутреннего прибора/наружного прибора (Только для применения PUNZ)

Имеются следующие шаблоны подключения.

Конструкция блока питания внешнего прибора зависит от модели.

#### Система 1:1

\* Требуется комплект клемм источника электропитания внутреннего прибора.

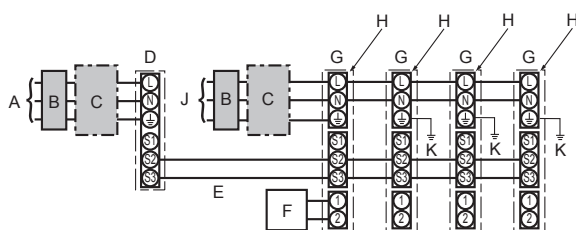


- A Источник электропитания наружного прибора
- B Прерыватель утечки на землю
- C Прерыватель проводной цепи или изолирующий выключатель
- D Наружный прибор
- E Соединительные провода внутреннего прибора/наружного прибора
- F Пульт дистанционного управления
- G Внутренний прибор
- H Дополнительно
- J Источник электропитания внутреннего прибора

\* Прикрепите бирку В, прилагаемую к руководствам, около каждой схемы подключения для внутреннего и наружного приборов.

#### Одновременная двойная/тройная/четверная система

\* Требуется комплекты клемм источника электропитания внутреннего прибора.



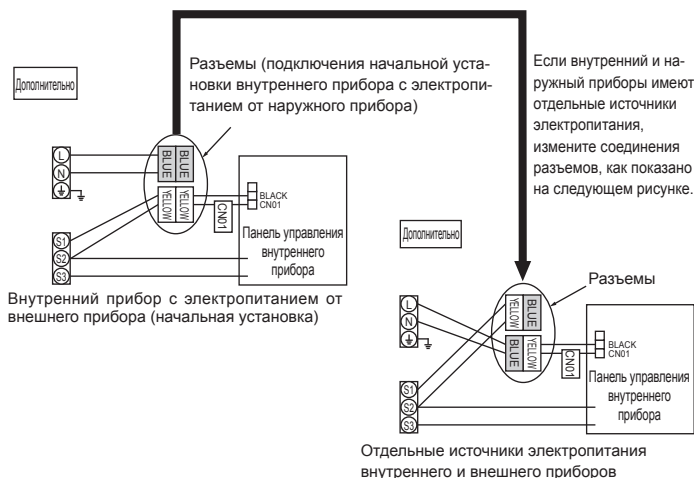
- A Источник электропитания наружного прибора
- B Прерыватель утечки на землю
- C Прерыватель проводной цепи или изолирующий выключатель
- D Наружный прибор
- E Соединительные провода внутреннего прибора/наружного прибора
- F Пульт дистанционного управления
- G Внутренний прибор
- H Дополнительно
- J Источник электропитания внутреннего прибора
- K Заземление внутреннего прибора

\* Прикрепите бирку В, прилагаемую к руководствам, около каждой схемы подключения для внутреннего и наружного приборов.

Если у внутреннего и наружного приборов различные источники электропитания, см. таблицу ниже. При использовании комплекта клемм источника электропитания внутреннего прибора замените проводку распределительной коробки внутреннего прибора в соответствии с рисунком справа и измените настройки микропереключателя панели управления наружного прибора.

	Спецификации внутреннего прибора								
Комплект клемм источника электропитания внутреннего прибора (дополнительно)	Требуется								
Изменение соединения разъема распределительной коробки внутреннего прибора	Требуется								
Бирка, прикрепленная около каждой схемы подключения для внутреннего и наружного приборов	Требуется								
Настройка микропереключателя наружного прибора (только при использовании отдельных источников электропитания для внутреннего прибора/наружного прибора)	<table border="1" style="margin-left: auto; margin-right: auto;"> <tr> <td>ON</td> <td></td> <td></td> <td style="border: 2px solid black;">3</td> </tr> <tr> <td>OFF</td> <td>1</td> <td>2</td> <td></td> </tr> </table> <p>(SW8) Установите переключатель SW8-3 в положение ON (ВКЛ.).</p>	ON			3	OFF	1	2	
ON			3						
OFF	1	2							

\* Имеется три типа бирок (бирки А, В и С). Прикрепите соответствующие бирки к блокам в соответствии с методом подключения проводки.



Модель внутреннего прибора		PLA
Электропитание внутреннего прибора		~N (однофазный), 50 Hz, 230 V
Входная мощность внутреннего прибора	*1	16 A
Главный выключатель (Прерыватель)		
Электропровода Провод No x размер (мм²)	Электропитание внутреннего прибора & Заземление питания внутреннего прибора	3 x Мин. 1,5
	Внутренний прибор-Наружный прибор	*2 2 x Мин. 0,3
	Заземление внутреннего/наружного прибора	-
Мощность цепи	Пульт дистанционного управления - Внутренний прибор	*3 2 x 0,3 (неполярный)
	Внутренний прибор L-N	*4 AC 230 V
	Внутренний прибор-Наружный прибор S1-S2	*4 -
	Внутренний прибор-Наружный прибор S2-S3	*4 DC24 V
	Пульт дистанционного управления - Внутренний прибор	*4 DC12 V

\*1. Используйте выключатель тока утечки на землю (NV) с расстоянием между контактами по крайней мере 3,0 мм для каждого полюса.

Для отключения всех активных фазовых проводов электропитания необходимо установить прерыватель.

\*2. Макс. 120 м

\*3. К аксессуару пульта дистанционного управления прилагается провод 10 м. Макс. 500 м

\*4. Величины HE всегда измерены относительно земли.

Примечания: 1. Диаметр проводов должен соответствовать применимым местным и национальным нормам.

2. Силовые кабели и кабели соединения Внутреннего/Наружного прибора не должны быть легче экранированного гибкого провода из полихлоропрена (модель 60245 IEC 57).

3. Длина устанавливаемого кабеля заземления должна превышать длину других кабелей.

**Предупреждение:**

Никогда не подсоединяйте внахлест силовой кабель или соединительный кабель внешнего питания. Это может привести к задымлению, возгоранию или неисправности.

## 6. Электрические работы

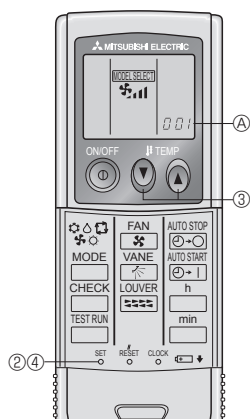


Fig. 6-2

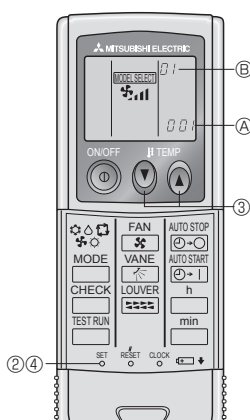


Fig. 6-3

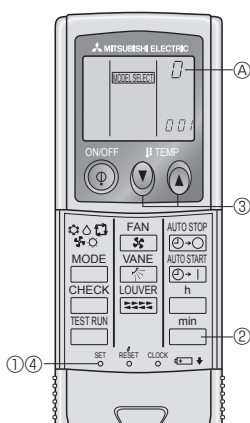


Fig. 6-4

### 6.2. Пульт дистанционного управления

#### 6.2.1. Для проводного пульта дистанционного управления

##### 1) Настройка двух пультов дистанционного управления

Если подключены два пульта дистанционного управления, настройте один как "Main" (Главный), а другой - как "Sub" (Подчиненный). Процедуры настройки приводятся в разделе "Выбор функций пульта дистанционного управления" в руководстве по эксплуатации внутреннего прибора.

#### 6.2.2. Для беспроводного пульта дистанционного управления

##### 1) Настройка (Fig. 6-2)

- ① Вставьте батарейки.
- ② Нажмите кнопку SET остроконечным предметом.  
На дисплее замигает индикация **MODEL SELECT** и высветится No. модели.
- ③ Нажмите кнопку temp (A), чтобы настроить No. модели.  
При неправильном выборе операции нажмите кнопку ON/OFF (B) (ВКЛ./ВЫКЛ.) и вновь начните выполнение операции с пункта ②.
- ④ Нажмите кнопку SET остроконечным предметом.  
На дисплее на три секунды загорится индикация **MODEL SELECT** и No. Модели, которая затем погаснет.

Внутренний	Наружный	④ No. модели
PLA	PUH, PUHZ, SUZ	001
	PU	033

##### 2) Автоматическая настройка скорости вентилятора (Fig. 6-3)

Настройки пульта дистанционного управления следует выполнять только в том случае, если автоматическая настройка скорости вентилятора не является настройкой по умолчанию. Выполнять такую настройку для проводного пульта дистанционного управления, если параметр автоматической настройки скорости вентилятора используется по умолчанию, не надо.

1. Нажмите кнопку SET остроконечным предметом.  
Выполняйте операцию, когда дисплей пульта дистанционного управления выключен. **MODEL SELECT** мигает и номер модели высвечивается как ③.
2. Нажмите кнопку AUTO STOP (C).  
**MODEL SELECT** мигает и настройка номера модели высвечивается как ③.  
(Настройка №1: без автоматической настройки скорости вентилятора)
3. Нажмите кнопки установки температуры, (A) чтобы выбрать настройку №2.  
(Настройка №2: с автоматической настройкой скорости вентилятора)  
При неправильном выборе операции нажмите кнопку ON/OFF (B) (ВКЛ./ВЫКЛ.) и вновь начните выполнение операции с пункта 2.
4. Нажмите кнопку SET остроконечным предметом.  
**MODEL SELECT** и номер модели высвечиваются в течение 3 секунд, а затем гаснут.

##### 3) Приписание пульта дистанционного управления отдельным приборам (Fig. 6-4)

Каждый отдельный прибор может управляться только специально приписанным для него пультом дистанционного управления.

Убедитесь в том, что каждая пара печатной платы и пульта дистанционного управления приписана идентичному No. пары.

##### 4) Процедура настройки номера пары пульта дистанционного управления

- ① Нажмите кнопку SET остроконечным предметом.  
Начните процедуру настройки с остановленным дисплеем пульта дистанционного управления.  
На дисплее замигает индикация **MODEL SELECT** и высветится No. модели.
- ② Дважды нажмите кнопку  $\frac{min}{min}$ . На дисплее замигает No. "0".
- ③ Нажмите кнопку temp (A), чтобы ввести желаемую номер пары.  
При неправильном выборе операции нажмите кнопку ON/OFF (B) и вновь начните выполнение операции с пункта 2.
- ④ Нажмите кнопку SET остроконечным предметом.  
На дисплее на три секунды загорится индикация настроенного номера пары, которая затем погаснет.

④ Номер пары пульта дистанционного управления	Печатная плата внутреннего блока
0	Заводская установка
1	разомкнуть J41
2	разомкнуть J42
3-9	разомкнуть J41, J42

## 6. Электрические работы

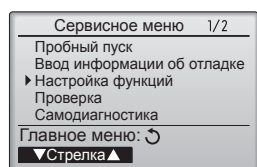


Fig. 6-5

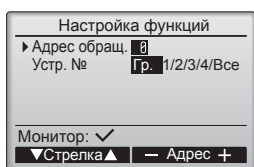


Fig. 6-6

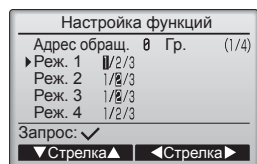


Fig. 6-7

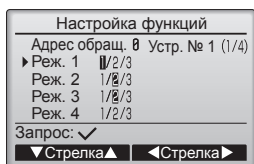


Fig. 6-8

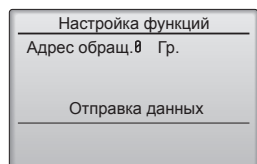


Fig. 6-9

### Примечание:

- При необходимости, выполните описанные выше настройки для блоков Mr. Slim.
- В таблице 1 перечислены возможные настройки для всех номеров режимов. Подробная информация о начальных настройках, номерах режимов и настройке номеров для внутренних блоков приведена в "Руководстве по монтажу".
- Запишите настройки всех функций, если после монтажа начальные настройки были изменены.

Таблица 1. Возможные настройки функций

Номер режима	Режим	Настройки	Номер настройки	Номера блоков	
01	Автоматическое восстановление после сбоя питания	Отключено	1	Установка параметра "Гр." для номера блока. Эти настройки относятся ко всем подключенным внутренним блокам.	
		Включено (После восстановления питания требуется четыре минуты ожидания.)	2		
02	Выбор термистора (измерение температуры в помещении)	Усредненное значение показаний температуры включенных внутренних блоков	1		
		Термистор на внутреннем блоке, к которому подключен контроллер дистанционного управления (неизменяемое значение)	2		
		Встроенный датчик на контроллере дистанционного управления	3		
03	Подключение LOSSNAY	Не подключен	1		
		Подключен (без забора наружного воздуха внутренними блоками)	2		
		Подключен (с забором наружного воздуха внутренними блоками)	3		
04	Напряжение питания	240 В	1		
		220 В, 230 В	2		
07	Сигнализация замены фильтра	100 часов	1		Выберите "1, 2, 3, 4 или Все" в качестве номера блока. Эти настройки относятся к каждому внутреннему блоку.
		2500 часов	2		
		Не отображается	3		
08	Скорость вентилятора	Тихий режим (или стандартный)	1		
		Стандартный (или Высокий потолок 1)	2		
		Высокий потолок (или Высокий потолок 2)	3		
09	Выпуск	4 направления	1		
		3 направления	2		
		2 направления	3		
10	Дополнительное оборудование (высокоэффективный фильтр)	Нет	1	Если в качестве номера блока выбрано "1, 2, 3 или 4", настройки относятся только к указанному номеру блока независимо от количества подключенных внутренних блоков (от одного до четырех).	
		Да	2		
11	Угол	Лопатки отсутствуют (или установлено значение №3)	1		
		Лопатки установлены (установлено значение №1)	2		
		Лопатки установлены (установлено значение №2)	3		

### 6.3. Установки функций

#### 6.3.1. Функциональная настройка прибора (Выбор функций прибора)

##### 1) Для проводного пульта дистанционного управления

- (Fig. 6-5)
  - Выберите в Главном меню пункт "Сервисное обслуживание" и нажмите кнопку [ВЫБОР].
  - С помощью кнопки [F1] или [F2] выберите пункт "Настройка функций" и нажмите кнопку [ВЫБОР].
- (Fig. 6-6)
  - Установите адреса блоков охлаждения внутренних блоков и номера блоков с помощью кнопок [F1]–[F4], а затем нажмите кнопку [ВЫБОР], чтобы подтвердить настройки.

**<Проверка внутреннего блока №.>**  
 Когда будет нажата кнопка [ВЫБОР], запустится вентилятор соответствующего внутреннего блока. Если работает один общий блок или когда работают все блоки, на всех внутренних блоках для выбранного адреса хладагента будут запущены вентиляторы.

- (Fig. 6-7)
  - После завершения сбора данных внутренних блоков текущие настройки будут отмечены подсветкой. Не подсвеченные пункты указывают, что настройки функций выполнены не были. Вид экрана зависит от параметра "Устр. №".
- (Fig. 6-8)
  - С помощью кнопок [F1] и [F2] переместите курсор для выбора номера режима и измените номер кнопкой [F3] или [F4].
- (Fig. 6-9)
  - После завершения настройки нажмите кнопку [ВЫБОР], чтобы отправить выбранные значения из контроллера дистанционного управления во внутренние блоки.
  - После успешного завершения передачи повторно откроется экран Настройка функций.

## 6. Электрические работы

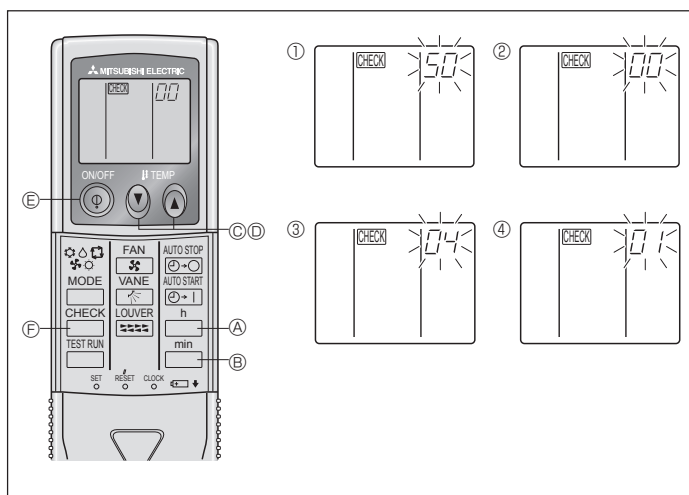


Fig. 6-10

### 2) Для беспроводного пульта дистанционного управления (Fig. 6-10)

Изменение настройки напряжения в сети электропитания

- Обязательно измените настройку напряжения в зависимости от напряжения в используемой сети электропитания.

#### ① Перейдите в режим выбора функции

Дважды нажмите кнопку **CHECK** (E).

(Начните процедуру настройки с остановленным дисплеем пульта дистанционного управления.)

На дисплее высветится индикация **CHECK** и замигает "00".

Однократным нажатием кнопки temp (C) выполните настройку на "50".

Направьте беспроводной пульт дистанционного управления на ресивер сигналов внутреннего прибора и нажмите кнопку **h** (A).

#### ② Настройка номера прибора

Нажатием кнопки temp (C) и (D) установите номер прибора на "00".

Направьте беспроводной пульт дистанционного управления на ресивер сигналов внутреннего прибора и нажмите кнопку **min** (B).

#### ③ Выбор режима

Кнопками (C) (A) (C) и (D) введите 04 для изменения настройки в сети электропитания. Направьте беспроводной пульт дистанционного управления на ресивер сигналов внутреннего прибора и нажмите кнопку **h** (A).

Текущий номер настройки: 1 = 1 тональный сигнал (одна секунда)

2 = 2 тональных сигнала (каждый по одной секунде)

3 = 3 тональных сигнала (каждый по одной секунде)

#### ④ Выбор номера настройки

Кнопками (C) (A) (C) и (D) измените настройку напряжения сети электропитания на 01 (240 В). Направьте беспроводной пульт дистанционного управления на датчик внутреннего прибора и нажмите кнопку **h** (A).

⑤ Для многократного выбора различных функций

Повторите шаги ③ и ④, чтобы многократно изменить различные настройки функций.

#### ⑥ Завершите выбор функции

Направьте беспроводной пульт дистанционного управления на датчик внутреннего прибора и нажмите кнопку (C) (E).

**Примечание:** О любых изменениях настроек функций, внесенных после установки или после проведения техобслуживания, делайте соответствующую запись в таблице функций и пометку в колонке "Установка".

### 6.3.2. Функциональная настройка на пульте дистанционного управления

См. руководство по эксплуатации внутреннего прибора.

#### Таблица функций

Выберите номер прибора 00

Режим	Установки	Номер режима	Номер установки	Первоначальная настройка	установка
Автоматическое восстановление после сбоя питания	Отсутствует	01	1		
	Имеется *1		2	○ *2	
Определение температуры в помещении	Средняя величина при работе внутреннего прибора	02	1	○	
	Устанавливается с пульта дистанционного управления внутреннего прибора		2		
	Внутренний датчик пульта дистанционного управления		3		
Подсоединяемость LOSSNAY	Не поддерживается	03	1	○	
	Поддерживается (внутренний прибор не оборудован механизмом всасывания наружного воздуха)		2		
	Поддерживается (внутренний прибор оборудован механизмом всасывания наружного воздуха)		3		
Напряжение в сети электропитания	240 V	04	1		
	220 V, 230 V		2	○	

Выберите номера прибора от 01 до 03 или все приборы (AL [проводной пульт дистанционного управления] / 07 [беспроводной пульт дистанционного управления])

Режим	Установки	Номер режима	Номер установки	Первоначальная настройка	установка
Знак фильтра	100 часов	07	1		
	2500 часов		2	○	
	Нет индикатора знака фильтра		3		
Скорость вентилятора	Бесшумный	08	1		
	Стандартный		2	○	
	Высокая		3		
Кол-во выдувных отверстий	4 направления	09	1	○	
	3 направления		2		
	2 направления		3		
Установленные опции (высокоэффективный фильтр)	Не поддерживается	10	1	○	
	Поддерживается		2		
Установка заслонки вверх/вниз	Оборудован заслонками (Настройка угла заслонки ③)	11	1		
	Оборудован заслонками (Настройка угла заслонки ①)		2		
	Оборудован заслонками (Настройка угла заслонки ②)		3	○	

\*1 При возобновлении подачи электропитания кондиционер запустится через 3 минуты.

\*2 Первоначальная настройка устройства автоматического включения после сбоя электропитания зависит от схемы подключения внешнего прибора.

## 6. Электрические работы

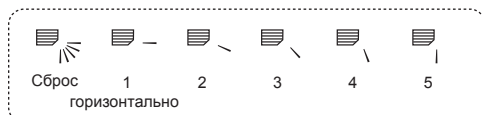
### 6.3.3 Порядок настройки фиксированного/направленного вниз потока воздуха

(только для проводного пульта дистанционного управления и для применения PUNZ, PU(H))

- В помощь перечисленных ниже действий можно зафиксировать направление потока только для одного конкретного выпускного отверстия. После того как положение зафиксировано, при включении кондиционера заданное положение устанавливается только для этого отверстия. (Направление воздушного потока ВВЕРХ/ВНИЗ из других выпускных отверстий регулируется с помощью пульта дистанционного управления.)

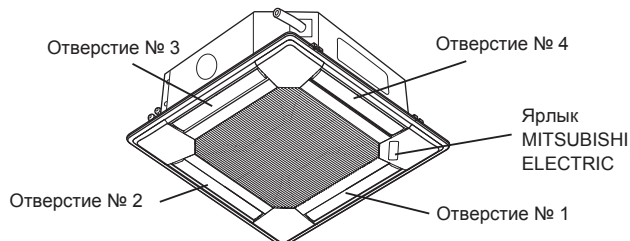
#### ■ Пояснение терминов

- "№ охладителя" и "№ изделия" - это номера, присваиваемые каждому кондиционеру.
- "№ выпускного отверстия" - это номер каждого выпускного отверстия кондиционера. (См. рисунок справа.)
- "Направление воздуха вверх/вниз" - это фиксируемое направление (угол).

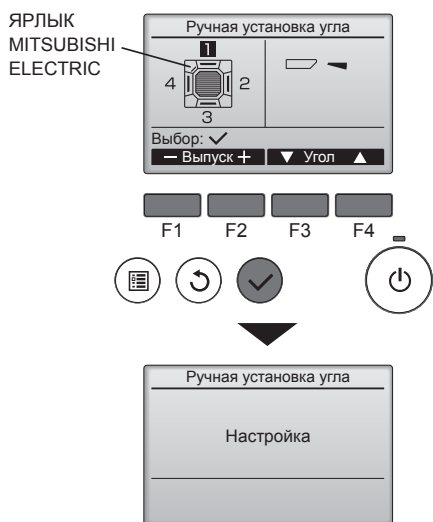


**Установка пульта дистанционного управления**  
Направление воздушного потока из этого отверстия управляется установкой направления воздушного потока на пульте дистанционного управления.

**Фиксация**  
Направление воздушного потока из этого отверстия зафиксировано в нужном положении.  
\* Если прямой воздушный поток создает чрезмерное охлаждение, то для повышения комфорта воздушный поток можно зафиксировать в горизонтальном направлении.



Примечание: "0" означает все отверстия.



Если выбраны все выпуски, будет отображаться, когда блок вступит в работу в следующий раз.

Навигация по экранам

- Для возврата в Главное меню .....кнопка [МЕНЮ]
- Для возврата к предыдущему экрану ...кнопка [ВОЗВРАТ]

Отобразятся текущие настройки угла дефлектора.

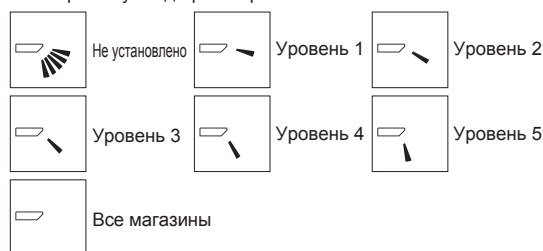
Выберите требуемые выпуски с 1 по 4 с помощью кнопки [F1] или [F2].

- Выпуск: "1", "2", "3", "4" и "1, 2, 3, 4" (все магазины).

Нажмите кнопку [F3] или [F4] для перехода между пунктами в порядке "Не установлено (сброс)", "Уровень 1", "Уровень 2", "Уровень 3", "Уровень 4" и "Уровень 5".

Выберите желаемую настройку.

#### ■ Настройка угла дефлектора



Нажмите кнопку [ВЫБОР], чтобы сохранить настройки.

Отобразится экран, показывающий, что передается информация о настройке. Изменения настройки будут выполнены для выбранного выпуска.

Экран автоматически возвратится к одному из показанных ранее видов (Уровень 4) после завершения передачи.

Выполните настройку для других выпусков используя аналогичную процедуру.

## 6. Электрические работы

Ручная установка угла

► Адрес общ.  Устр. № 1/2/3/4

Идент. устр. кнопкой Проверить

Экран ввода: ✓

▼ Ст. — Адрес + Пров.



Ручная установка угла

► Адрес общ.  Устр. № 1/2/3/4

Требуемый кондиционер – кондиционер с жалюзи, направленными вниз.

Экран ввода: ✓



Ручная установка угла

Нет реакции от конечного устройства. Подтверждение состояния кондиционера.

Экран ввода: ✓



### Процедура подтверждения

- ① Во-первых, параметр “Адрес общ.” должен быть равен 0, “Устр. №” – 1.
  - С помощью кнопки [F1] переместите курсор на “Адрес общ.” или “Устр. №” для выбора.
  - Выберите адрес обращения и номер блока для блоков, чьи дефлекторы должны быть зафиксированы в неподвижном состоянии, с помощью кнопки [F2] или [F3], затем нажмите кнопку [ВЫБОР].
  - Адрес общ.: адрес обращения
  - Устр. №: 1, 2, 3, 4
 Нажмите кнопку [F4] для подтверждения блока.
- ② Установите порядковый номер устройства “Устр. №” и проверьте каждое устройство.
  - Нажмите кнопку [F1] для выбора параметра “Устр. №”. Нажмите кнопку [F2] или [F3] и укажите в параметре “Устр. №” номер устройства для проверки, затем нажмите кнопку [F4].
  - После нажатия кнопки [F4] выждите приблизительно 15 секунд, затем проверьте текущее состояние кондиционера.
    - Жалюзи должно быть направлено вниз. → Данный кондиционер отображается на пульте дистанционного управления.
    - Все выпускные отверстия закрыты. → Для продолжения операции с начала нажмите кнопку [ВОЗВРАТ].
    - Отображаются сообщения, приведенные слева. → По данному адресу хладагента указанное устройство не существует.
  - Нажмите кнопку [ВОЗВРАТ] для возврата к исходному экрану.
- ③ В параметре “Адрес общ.” укажите следующий порядковый номер.
  - См. шаг ① для изменения параметра “Адрес общ.” и продолжения процедуры подтверждения.

## 7. Выполнение испытания

### 7.1. Перед пробным прогоном

- После завершения установки, прокладки труб и электропроводки внутреннего и наружного приборов проверьте отсутствие утечки хладагента, слабых соединений кабеля питания или проводов управления и неправильной полярности, а также убедитесь, что все фазы питания подключены.
- Измерьте сопротивление между терминалами источника электропитания и заземлением с использованием 500-вольтного меггера и убедитесь, что сопротивление составляет не менее 1,0 МΩ.

► **Запрещается выполнять этот замер на терминалах проводах управления (цепь низкого напряжения).**

⚠ **Предупреждение:**

**Не пользуйтесь кондиционером воздуха, если сопротивление изоляции ниже 1,0 МΩ.**

### 7.2. Выполнение испытания

#### 7.2.1. Использование проводного пульта дистанционного управления.

- Перед пробным пуском внимательно прочтите руководство по эксплуатации. (Особенно это касается указаний по безопасности)

#### Шаг 1 Включите питание.

- Пульт дистанционного управления: система переходит в режим запуска, индикатор питания (зеленый) пульта дистанционного управления начинает мигать и отображается сообщение “PLEASE WAIT (Ждите)”. В этот момент пульт дистанционного управления недоступен для операций. Перед использованием пульта дистанционного управления дождитесь удаления с дисплея сообщения “PLEASE WAIT (Ждите)”. Сообщение “PLEASE WAIT (Ждите)” отображается в течение приблизительно 2 минут после включения питания.
- Плата управления внутреннего блока: индикатор 1 загорается, индикатор 2 загорается (если адрес равен 0) или гаснет (если адрес не равен 0), индикатор 3 мигает.
- Плата управления наружного блока: индикатор 1 (зеленый) и индикатор 2 (красный) загораются. (После завершения процедуры запуска системы индикатор 2 гаснет.) Если на плате управления наружного блока используется цифровой дисплей, каждую секунду попеременно отображаются символы [ - ] и [ . ]. Если после выполнения процедур в шаге 2 и после него операции не выполняются надлежащим образом, проверьте и устраните следующие проблемы. (Симптомы, описанные ниже, могут проявляться в режиме пробного пуска. “Startup (Запуск)” в таблице обозначается индикацией, описанной выше.)

Симптомы в режиме пробного пуска		Причина
Дисплей пульта дистанционного управления	Индикация ПЛАТЫ НАРУЖНОГО БЛОКА < > обозначает цифровой дисплей.	
На пульте дистанционного управления отображается сообщение “PLEASE WAIT (Ждите)”, пульт для операций недоступен.	После отображения сообщения “Startup (Запуск)” загорается только зеленый индикатор. <00>	• После включения питания в течение 2 минут во время запуска системы на дисплее будет отображаться сообщение “PLEASE WAIT” (ПОЖАЛУЙСТА, ПОДОЖДИТЕ). (Нормальный режим)
После включения питания в течение 3 минут отображается сообщение “PLEASE WAIT (Ждите)”, затем отображается код ошибки.	После отображения сообщения “Startup (Запуск)” попеременно вспыхивают однократно зеленый и однократно красный индикаторы. <F1>	• Неверное подключение к клеммной колодке наружного блока (R, S, T и S <sub>1</sub> , S <sub>2</sub> , S <sub>3</sub> .)
	После отображения сообщения “Startup (Запуск)” попеременно вспыхивают однократно зеленый и дважды красный индикаторы. <F3, F5, F9>	
Дисплей не загорается даже при включении питания на пульте дистанционного управления. (Не загорается индикатор работы.)	После отображения сообщения “Startup (Запуск)” попеременно вспыхивают дважды зеленый и однократно красный индикаторы. <EA, Eb>	• Неверное подключение проводов между внутренним и наружным блоками (неверная полярность подключения S <sub>1</sub> , S <sub>2</sub> , S <sub>3</sub> ).
	После отображения сообщения “Startup (Запуск)” загорается только зеленый индикатор. <00>	• Провод передачи данных пульта дистанционного управления закорочен.
Дисплей загорается, но вскоре гаснет даже при работе с пультом дистанционного управления.	После отображения сообщения “Startup (Запуск)” загорается только зеленый индикатор. <00>	• Отсутствует наружный блок с адресом 0. (Адрес не равен 0.)
	После отображения сообщения “Startup (Запуск)” загорается только зеленый индикатор. <00>	• Разомкнут провод передачи данных пульта дистанционного управления.
	После отмены выбора функции, операции недоступны в течение 30 секунд. (Нормальный режим)	• После отмены выбора функции, операции недоступны в течение 30 секунд. (Нормальный режим)

## 7. Выполнение испытания

### Шаг 2 Включите на пульте дистанционного управления режим "Пробный пуск".

- 1 Выберите режим "Пробный пуск" в Сервисном меню и нажмите кнопку [ВЫБОР]. (Fig. 7-1)
- 2 Выберите режим "Пробный пуск" в Меню пробного пуска и нажмите кнопку [ВЫБОР]. (Fig. 7-2)
- 3 Запускается режим "Пробный пуск" и отображается экран пробного пуска.

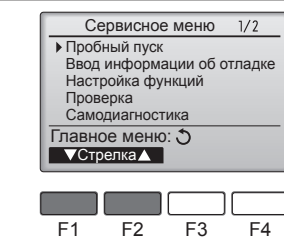


Fig. 7-1

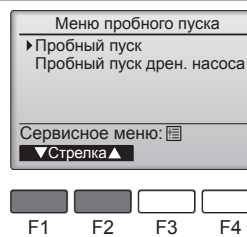


Fig. 7-2

### Шаг 3 Выполните пробный пуск и проверьте температуру воздушного потока и автоматическую работу жалюзи.

- 1 Для изменения режима работы нажмите кнопку [F1]. (Fig. 7-3)  
Режим охлаждения: убедитесь, что из блока поступает охлажденный воздух.  
Режим нагревания: убедитесь, что из блока поступает нагретый воздух.
- 2 Нажмите кнопку [ВЫБОР] для отображения экрана работы жалюзи, затем нажмите кнопку [F1] и [F2] для проверки автоматического режима работы жалюзи. (Fig. 7-4)  
Нажмите кнопку [ВОЗВРАТ] для возврата к экрану пробного пуска.

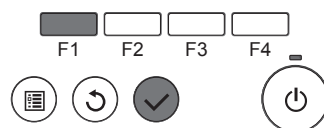
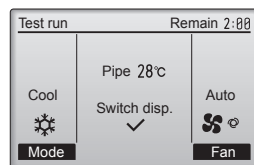


Fig. 7-3

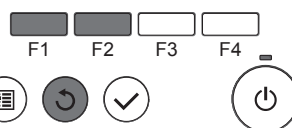
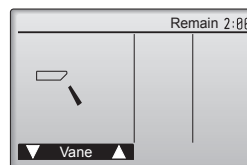


Fig. 7-4

### Шаг 4 Проверка работы вентилятора наружного блока.

Скорость вращения вентилятора наружного блока регулируется для управления работой устройства. В зависимости от атмосферных условий вентилятор вращается с низкой скоростью, пока этого будет достаточно для нормальной работы. Наружный ветер может привести к остановке вентилятора или его вращению в обратном направлении, однако это не является проблемой.

### Шаг 5 Остановка пробного пуска.

- 1 Для остановки пробного пуска нажмите кнопку [ВКЛ/ВЫКЛ]. (Отображается меню Пробного пуска.)

Примечание. Если на дисплее отображается код ошибки, см. таблицу ниже.

ЖК-дисплей	Описание сбоя	ЖК-дисплей	Описание сбоя	ЖК-дисплей	Описание сбоя
P1	Ошибка датчика впуска	P9	Ошибка датчика трубопровода (двойной трубопровод)	E0 ~ E5	Ошибка связи между пультом дистанционного управления и внутренним блоком
P2	Ошибка датчика трубопровода (трубопровод для жидкости)	PA	Ошибка протечки (система хладагента)		
P4	Разъединен контакт переключателя дренажного слива (CN4F)	PL	Ненадлежащее функционирование контура хладагента		
P5	Защита от переполнения дренажной системы	FB	Ошибка платы управления внутреннего блока	E6 ~ EF	Ошибка связи между внутренним и наружным блоками
P6	Защита системы охлаждения/нагревания	U*, F* (* обозначение буквенно-цифрового символа, кроме FB.)	Нарушение работы наружного блока. См. схему соединений наружного блока.		
P8	Ошибка температуры трубопровода				

Описание индикаторов дисплея см. в таблице ниже (индикаторы 1, 2 и 3) на плате управления внутреннего блока.

Индикатор 1 (питание микрокомпьютера)	Индикатор подачи питания. Этот индикатор должен гореть постоянно.
Индикатор 2 (питание пульта дистанционного управления)	Указывает, подается ли питание на проводной пульт дистанционного управления. Данный индикатор загорается только для внутреннего блока, подключенного к наружному блоку и имеющего адрес 0.
Индикатор 3 (связь внутреннего/наружного блоков)	Указывает на связь между внутренним и наружным блоками. Этот индикатор должен постоянно мигать.

#### 7.2.2. Использование SW4 в наружном блоке

Смотрите руководство по установке наружного прибора.

#### 7.3. Самодиагностика

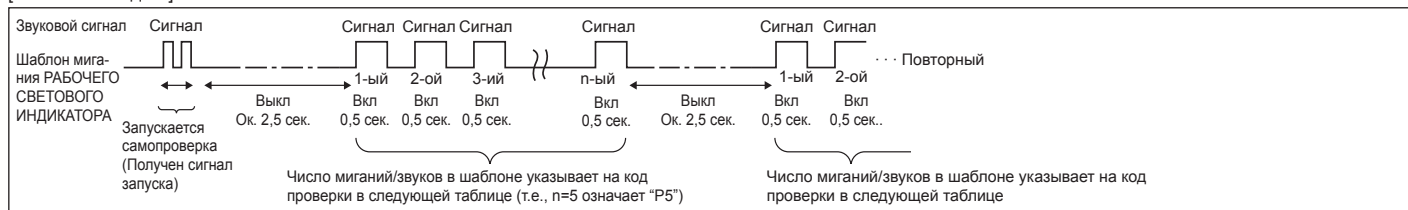
- Подробное описание см. в руководстве по установке, прилагаемого к пульту дистанционного управления.



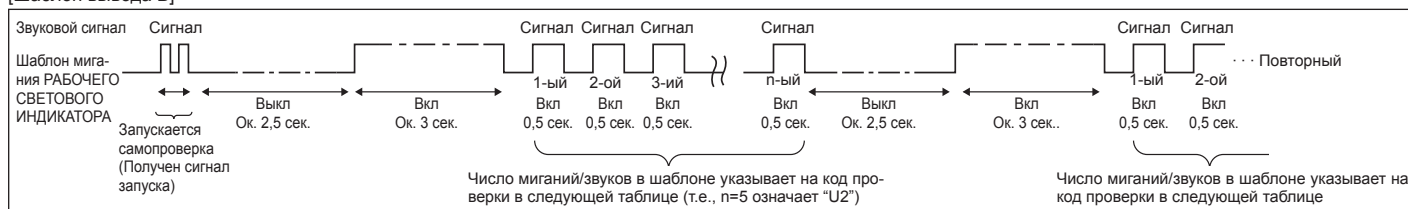
## 7. Выполнение испытания

• Дополнительные сведения по кодам проверки приводятся в следующих таблицах. (беспроводного пульта дистанционного управления)

[Шаблон вывода А]



[Шаблон вывода В]



[Шаблон вывода А] Ошибки, обнаруженные внутренним прибором

беспроводного пульта дистанционного управления	Проводного пульта дистанционного управления	Признак	Примечание
Звучит сигнал/мигает РАБОЧИЙ СВЕТООВОЙ ИНДИКАТОР (Число раз)	Код проверки		
1	P1	Ошибка впускного датчика	
2	P2	Ошибка датчика трубы (ТН2)	
3	P9	Ошибка датчика трубы (ТН5)	
4	E6, E7	Ошибка связи между внутренним/наружным прибором	
5	P4	Ошибка дренажного датчика/Разъем поплавкового выключателя разомкнут	
6	P5	Ошибка дренажного насоса	
7	PA	Ошибка принудительного компрессора	
8	P6	Работа в режиме защиты от обледенения/перегрева	
9	EE	Ошибка связи между внутренним и наружным приборами	
10	P8	Ошибка температуры трубы	
11	E4	Ошибка получения сигнала пульта дистанционного управления	
12	—	—	
14	Fb	Ошибка системы управления внутренним прибором (ошибка памяти и т.д.)	
Нет звука	PL	Ненадлежащее функционирование контура хладагента	
Нет звука	E0, E3	Ошибка передачи пульта дистанционного управления	
Нет звука	E1, E2	Ошибка платы управления пульта дистанционного управления	
Нет звука	— — — —	Не соответствует	

[Шаблон вывода В] Ошибки, обнаруженные прибором, кроме внутреннего прибора (наружный прибор и т.д.)

беспроводного пульта дистанционного управления	Проводного пульта дистанционного управления	Признак	Примечание
Звучит сигнал/мигает РАБОЧИЙ СВЕТООВОЙ ИНДИКАТОР (Число раз)	Код проверки		
1	E9	Ошибка связи внутреннего/наружного прибора (Ошибка передачи) (Наружный прибор)	
2	UP	Прерывание компрессора по перегрузке по току	
3	U3, U4	Размыкание/короткое замыкание термисторов наружного прибора	
4	UF	Прерывание компрессора по перегрузке по току (Когда компрессор заблокирован)	
5	U2	Ненормально высокая температура нагнетания/49C сработало/недостаточно хладагента	
6	U1, Ud	Ненормально высокое давление (63Н сработало)/Работа в режиме защиты от перегрева	
7	U5	Ненормальная температура теплоотвода	
8	U8	Аварийный останов вентилятора наружного прибора	
9	U6	Прерывание компрессора по перегрузке по току/Неисправность в модуле электропитания	
10	U7	Ненормально высокое тепло ой причине низкой температуры нагнетания	
11	U9, UN	Неисправность, например, перенапряжение или недостаток напряжения и ненормальный синхронный сигнал к главной цепи/Ошибка датчика тока	
12	—	—	
13	—	—	
14	Прочее	Другие ошибки (См. техническое руководство наружного прибора.)	Подробнее см. ЖК-дисплей платы наружного контроллера.

\*1 Если звуковой сигнал не прозвучит снова после первоначальных двух сигналов подтверждения приема сигнала для запуска самопроверки и РАБОЧИЙ СВЕТООВОЙ ИНДИКАТОР не загорится, записей об ошибках нет.

\*2 Если звуковой сигнал прозвучит три раза подряд "бип, бип, бип (0,4 + 0,4 + 0,4 сек.)" после первоначальных двух сигналов подтверждения приема сигнала для запуска самопроверки, указанный адрес хладагента неправильный.

• На беспроводном пульте дистанционного управления  
Непрерывные звонки зуммера с области приема сигналов на внутреннем приборе.

Мигание лампочки работы

• На проводном пульте дистанционного управления  
Проверьте код, отображенный на ЖК-дисплее.

## 7. Выполнение испытания

- Если прибор не работает должным образом после проведения пробного прогона, устраните неисправность, обратившись к нижеприведенной таблице.

Симптом		Причина	
Проводной пульт дистанционного управления	СИД 1, 2 (печатная плата на наружном приборе)		
PLEASE WAIT	В течение приблизительно 2 минут после включения питания.	После загорания СИД 1, 2, СИД 2 выключается, горит только СИД 1. (Правильная работа)	• В течение приблизительно 2 минут после включения питания работа пульта дистанционного управления невозможна вследствие запуска системы. (Правильная работа)
PLEASE WAIT → Код ошибки	По истечении приблизительно 2 минут после включения питания.	Горит только СИД 1. → СИД 1, 2 мигают.	• Не подсоединен соединитель защитного устройства наружного прибора. Обратное подсоединение фаз или неполнофазный режим электропроводки на блоке терминалов питания наружного прибора (L1, L2, L3).
Сообщения об ошибках не выводятся на дисплей, даже если выключатель работы находится в положении ON (Вкл.) (не горит лампочка работы).		Горит только СИД 1. → СИД 1 мигает дважды, СИД 2 мигает один раз.	• Неправильная электропроводка между внутренним и наружным приборами (неправильная полярность S1, S2, S3) • Короткое замыкание провода пульта дистанционного управления

В вышеописанном состоянии беспроводного пульта дистанционного управления наблюдаются следующие явления.

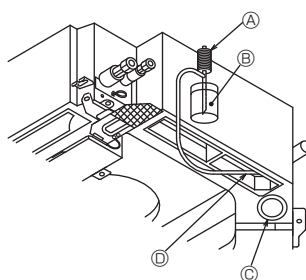
- Сигналы с пульта дистанционного управления не принимаются.
- Мигает лампочка работы.
- Зуммер издает короткий высокий гудок.

### Примечание:

**В течение приблизительно 30 секунд после отмены выбора функции управление невозможно. (Правильная работа)**

Описание каждого СИДа (СИД1,2,3) на пульте управления внутреннего прибора приводится в таблице ниже.

СИД 1 (питание микрокомпьютера)	Показывает наличие питания системы управления. Убедитесь в том, что данный СИД горит постоянно.
СИД 2 (питание пульта дистанционного управления)	Показывает наличие питания пульта дистанционного управления. Данный СИД загорается только в том случае, когда внутренний прибор подсоединен к адресу "0" хладагента наружного прибора.
СИД 3 (связь между внутренним и наружным приборами)	Показывает состояние связи между внутренним и наружным приборами. Убедитесь в том, что данный СИД мигает постоянно.



- Ⓐ Насос подачи воды
- Ⓑ Вода (около 1000 куб. см)
- Ⓒ Дренажная пробка
- Ⓓ Заливная горловина воды
- Не допускайте пролива воды на механизм дренажного насоса.

Fig. 7-5

### 7.4. Проверка дренажа (Fig. 7-5)

- Убедитесь, что вода дренируется правильно, и что в местах соединений нет течи.

#### После завершения электрических работ.

- Залейте воду при работе кондиционера в режиме охлаждения и выполните проверку.

#### До завершения электрических работ.

- Залейте воду при работе кондиционера в аварийном режиме и выполните проверку.
- \* Дренажный поддон и вентилятор включаются одновременно тогда, когда однофазное напряжение 220-240 В подается на S1 и S2 клеммной колодки после включения соединителя (SWE) на плате контроллера электрической ответвительной коробки.

После выполнения работ переведите его в исходное положение.

## 8. Управление системой

Смотрите руководство по установке наружного прибора.

## 9. Установка вентиляционной решетки

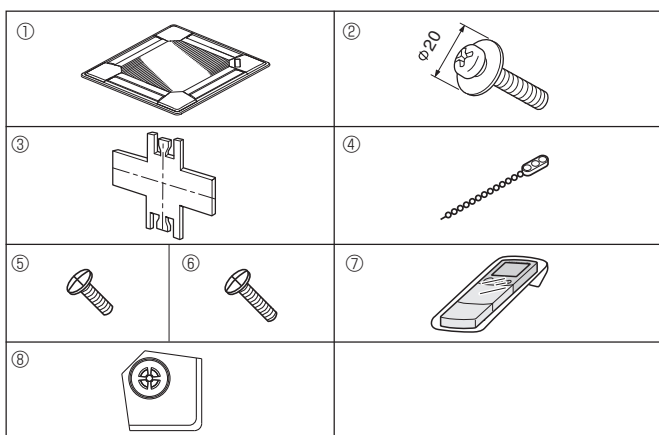


Fig. 9-1

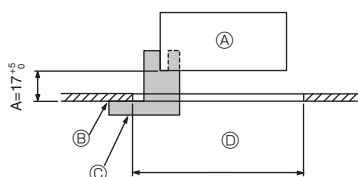


Fig. 9-2

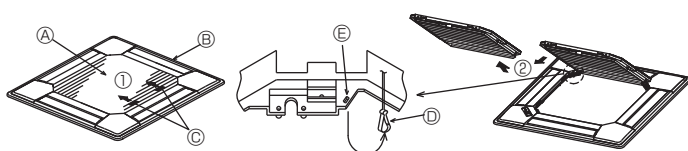


Fig. 9-3

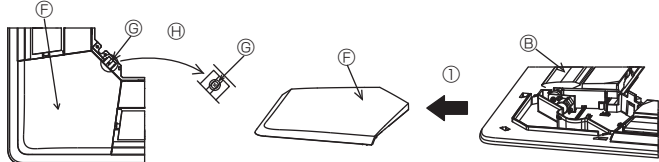


Fig. 9-4

	4 направления	3 направления
Шаблоны направлений выдува	1 шаблон: заводская установка 	4 шаблон: один воздуховод полностью закрыт 
Шаблоны направлений выдува	2 направления 	6 шаблон: два воздуховода полностью закрыты 

Table 1

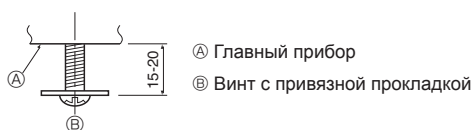


Fig. 9-5

### 9.1. Проверка содержимого комплекта (Fig. 9-1)

- В данном комплекте имеется настоящее руководство и нижеперечисленные части.

	Название приспособления	Количество	Замечание
①	Решетка	1	950 × 950 (мм)
②	Винт с привязной прокладкой	4	M5 × 0,8 × 25
③	Шаблон	1	(Поделен на четыре части)
④	Фиксатор	3	
⑤	Винт	4	4 × 8
⑥	Винт	1	4 × 12
⑦	Беспроводной пульт дистанционного управления	1	для PLP-6BALM, PLP-6BALME
⑧	Угловая панель i-see sensor	1	для PLP-6BAE, PLP-6BALME

### 9.2. Подготовка к установке вентиляционной решетки (Fig. 9-2)

- С помощью поставленного в комплекте шаблона ③ отрегулируйте и проверьте положение устройства по отношению к потолку. При неверном расположении устройства по отношению к потолку возможно прохождение воздуха или накопление конденсации.
- Убедитесь в том, что отверстие в потолке имеет следующие допустимые размеры: 860 × 860 - 910 × 910
- Убедитесь в том, что операция А выполняется в пределах 17-22мм. Несоблюдение данного предела может в результате привести к повреждениям.
  - А Главный прибор
  - В Потолок
  - С Шаблон ③ (Вставлен в устройство)
  - Д Габариты потолочного отверстия

#### 9.2.1. Удаление воздухозаборной решетки (Fig. 9-3)

- Сдвиньте рычаги в направлении, обозначенном стрелкой ①, чтобы открыть воздухозаборную решетку.
- Снимите с защелки крюк, удерживающий вентиляционную решетку.
  - \* Не снимайте с защелки крюк воздухозаборной решетки.
- Пока воздухозаборная решетка находится в "открытом" положении, удалите стержень воздухозаборной решетки с вентиляционной решетки в направлении стрелки ②.

#### 9.2.2. Удаление угловой панели (Fig. 9-4)

- Удалите винт из угла угловой панели. Для удаления угловой панели сдвиньте угловую панель в направлении стрелки ①.

[Fig.9-3] [Fig.9-4]

- А Воздухозаборная решетка
- В Вентиляционная решетка
- С Рычаги воздухозаборной решетки
- Д Крюк вентиляционной решетки
- Е Отверстие для крюка вентиляционной решетки
- Ф Угловая панель
- Г Винт
- И Деталь

### 9.3. Выбор вытяжных отверстий

В данной вентиляционной решетке имеется 11 образцов направления выдува. Кроме того, с помощью настройки пульта дистанционного управления на соответствующие значения Вы можете регулировать поток воздуха и его скорость. Выберите требуемые установки из Table 1 в соответствии с местом установки устройства.

- Выберите образец направления выдува.
- Убедитесь в том, что пульт дистанционного управления настроен на соответствующие установки согласно числу вытяжных отверстий и высоте потолка, на котором будет установлено данное устройство.

Примечание:

Для 3-направленного и 2-направленного выдува пожалуйста используйте пластинку заслонки вытяжного отверстия (опция).

### 9.4. Установка вентиляционной решетки

#### 9.4.1. Подготовка (Fig. 9-5)

- Установите два входящих в комплект винта с прокладками ② в главный прибор (в области угловой дренажной трубы и в противоположном углу), как показано на диаграмме.

## 9. Установка вентиляционной решетки

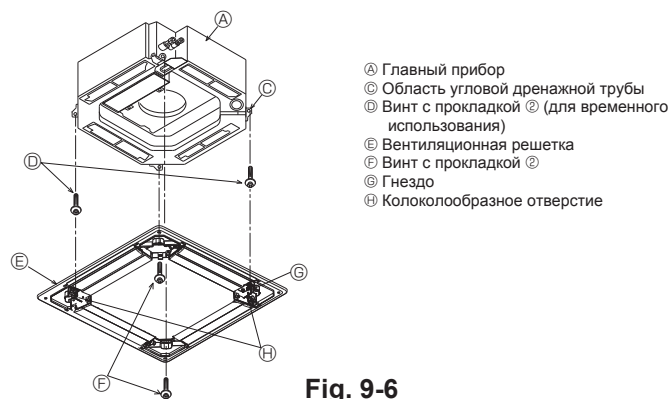


Fig. 9-6

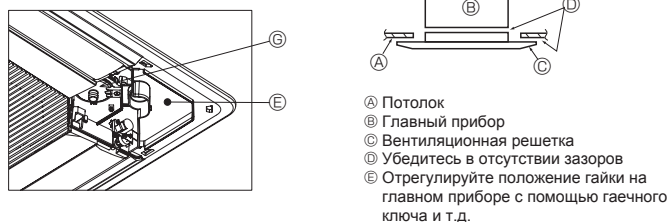


Fig. 9-7

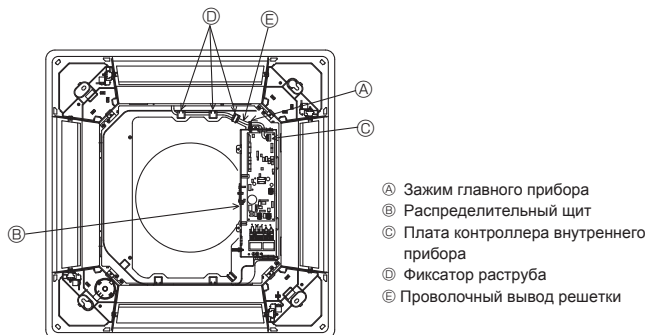
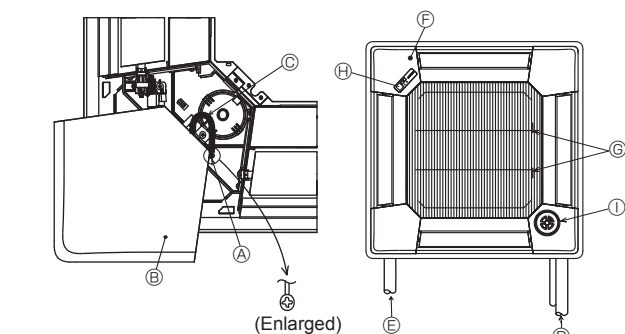


Fig. 9-8



- Ⓐ Винт (4 × 8) ⑤
- Ⓑ Угловая панель
- Ⓒ Контрольная проволока

Fig. 9-9

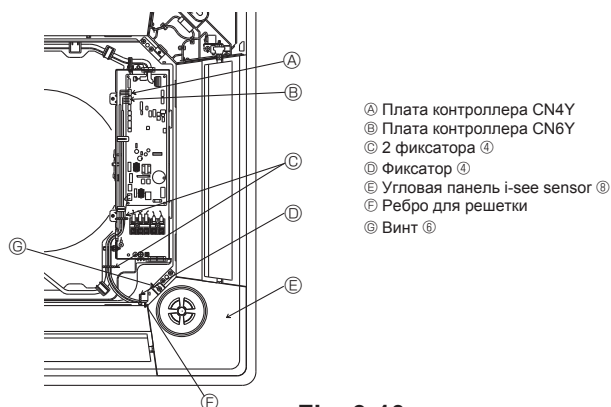


Fig. 9-10

### 9.4.2. Временная установка вентиляционной решетки (Fig. 9-6)

- Временно закрепите решетку, используя колоколообразные отверстия, для чего установите гнездо ③ решетки в область угловой дренажной трубы главного прибора.

\* Убедитесь в том, что соединительные провода вентиляционной решетки не зажаты между вентиляционной решеткой и главным прибором.

### 9.4.3. Крепление вентиляционной решетки (Fig. 9-7)

- Закрепите вентиляционную решетку на главном приборе путем затягивания установленных ранее винтов (с привязной прокладкой), а также двух оставшихся винтов (с привязной прокладкой).

\* Убедитесь в отсутствии зазоров между главным прибором и вентиляционной решеткой или между вентиляционной решеткой и потолком.

### Удаление зазоров между вентиляционной решеткой и потолком

После закрепления вентиляционной решетки отрегулируйте высоту главного прибора, чтобы закрыть зазор.

### ⚠ Осторожно:

Затягивая винт с пружинной зубчатой шайбой ②, следует прикладывать момент не более 4,8 Н·м. Никогда не используйте ударный гайковёрт.

• Это может привести к повреждению деталей.

### 9.4.4. Соединение проводов (Fig. 9-8)

- Выкрутите 2 винта крепления крышки электрической ответвительной коробки прибора и снимите ее.
- Подсоедините разъем (белого цвета, 20-полюсный) мотора заслонок решетки к разъему CNV на плате контроллера прибора.
- На модели PLP-6BALM(E) разъем кабеля беспроводного датчика также должен быть соединен с разъемом CN90 на плате контроллера внутреннего прибора.

Пропустите проволочный вывод решетки точно через фиксатор раструба прибора. Зафиксируйте остатки проволочного вывода при помощи хомута блока и установите крышку прибора на место, зафиксировав ее 2 винтами.

### Примечание:

Не оставляйте излишек проволочного вывода в электрической ответвительной коробке прибора.

## 9.5. Установка воздухозаборной решетки (Fig. 9-9)

### Примечание:

При установке на место угловых панелей (каждая с прикрепленным предохранительным проводом), присоедините второй конец предохранительного провода к вентиляционной решетке с помощью винта (4 шт., 4 × 8), как показано на иллюстрации.

\* Если не закрепить угловые панели, они могут упасть во время работы прибора.

- Для установки воздухозаборной решетки и угловой панели выполните в обратном порядке операции, описанные в разделе "9.2. Подготовка к установке вентиляционной решетки".

• Несколько приборов можно установить с вентиляционной решеткой так, чтобы логотип на каждой угловой панели был совместим с другими приборами, независимо от ориентации воздухозаборной решетки. Сориентируйте логотип на панели в соответствии с пожеланиями клиента, как показано на диаграмме слева. (Расположение вентиляционной решетки можно изменить.)

- Ⓐ Трубы хладагента главного прибора
- Ⓑ Дренажные трубы главного прибора
- Ⓒ Положение угловой панели при поставке с завода-изготовителя (с прикрепленным логотипом).

\* Возможна установка в любом положении.

Ⓓ Положение рычагов на воздухозаборной решетке при поставке с завода-изготовителя.

\* Хотя зажимы можно устанавливать в любом из четырех положений, рекомендуется конфигурация, предложенная на рисунке. (Нет необходимости снимать воздухозаборную решетку при проведении техобслуживания коробки электрокомпонентов на главном приборе.)

Ⓔ Ресивер (Только на панели PLP-6BALM, PLP-6BALME)

Ⓕ i-see sensor (Только на панели PLP-6BAE, PLP-6BAMDE, PLP-6BALME)

## 9.6. Установка угловой панели i-see sensor (Fig. 9-10)

Для панели PLP-6BAE, PLP-6BAMDE, PLP-6BALME

- Возьмите проволочные выводы CN4Y (белый) и CN6Y (красный) угловой панели i-see sensor ③ со стороны распределительного щита на блоке и обязательно подсоедините их к соединителю платы контроллера.
- Проволочные выводы угловой панели i-see sensor ③ должны быть зафиксированы на ребре решетки с помощью фиксатора ④ так, чтобы не было провисания.

• Проволочные выводы должны быть собраны вместе с проволочными выводами блока и зафиксированы с помощью 2 фиксаторов ④ так, чтобы не было провисания.

• Прикрепите заднюю часть крышки на распределительный щит при помощи 3 винтов.

\* Убедитесь в том, что провода не защемились крышкой распределительного щита. Если они защемятся, то они будут перерезаны.

• Для установки угловой панели i-see sensor будут выполнены действия пункта "9.2. Подготовка к установке вентиляционной решетки", выполняемые в обратном порядке.

\* Угловая панель i-see sensor должна быть зафиксирована на решетке ① при помощи винта ⑤.

## 9. Установка вентиляционной решетки

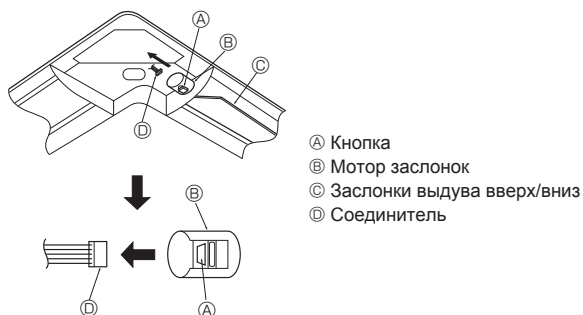


Fig. 9-11

### 9.7. Блокировка направления воздушного потока вверх/вниз (Fig. 9-11)

Воздушные заслонки на приборе можно заблокировать для выдува воздуха вверх или вниз в зависимости от среды, в которой эксплуатируется прибор.

- Установите в соответствии с пожеланиями клиента.
- Работой заслонок выдува вверх/вниз и всеми операциями автоматического управления невозможно управлять с пульта дистанционного управления. Кроме того, реальное положение заслонок может отличаться от положения, показываемого на пульте дистанционного управления.
- ① Выключите главный выключатель питания. При вращающемся вентиляторе на приборе возможно получение травмы или поражение электрическим током.
- ② Отсоедините соединитель мотора заслонок того вентиляционного отверстия, которое Вы хотите заблокировать. (Нажимая на кнопку, удалите соединитель в направлении, указанном стрелкой, как изображено на диаграмме.) После удаления соединителя изолируйте его изолянт. Также возможна настройка при помощи пульта дистанционного управления. См. 6.3.3.

### 9.8. Проверка

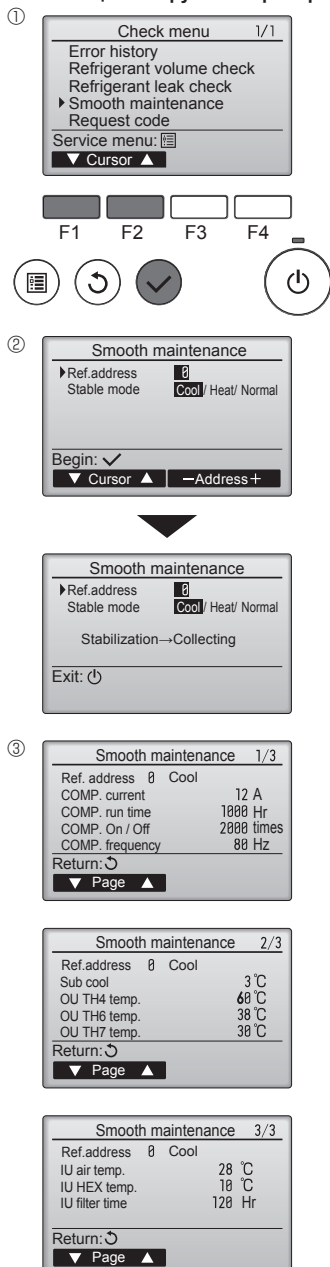
- Убедитесь в том, что между устройством и вентиляционной решеткой, или между вентиляционной решеткой и поверхностью потолка нет зазора. Если между устройством и вентиляционной решеткой, или между вентиляционной решеткой и поверхностью потолка есть зазор, это может привести к образованию конденсации.
- Убедитесь в том, что провода соединены надежно.
- Для панели PLP-6BAE, PLP-6BAMDE, PLP-6BALME, проверьте вращательное движение i-see sensor. Если i-see sensor не вращается, вновь обратитесь к разделу "9.6. Установка угловой панели i-see sensor".

## 10. Функция простого техобслуживания

Данные обслуживания, такие как температура теплообменника внутреннего/наружного блоков и рабочий ток компрессора, могут отображаться с помощью функции "Smooth maintenance" (Плавное обслуживание).

\* Выполнение этой функции невозможно во время проведения испытаний.

\* В зависимости от комбинации с наружным прибором на некоторых моделях эта функция может не поддерживаться.



- Выберите в Main меню (главном меню) пункт "Service" (Сервисное обслуживание) и нажмите кнопку [ВЫБОР].
- С помощью кнопки [F1] или [F2] выберите пункт "Check" (Пров.) и нажмите кнопку [ВЫБОР].
- С помощью кнопки [F1] или [F2] выберите пункт "Smooth maintenance" (Плавное обслуживание) и нажмите кнопку [ВЫБОР].

#### Выберите нужный элемент

- Кнопкой [F1] или [F2] выберите элемент, который необходимо изменить.
- Кнопкой [F3] или [F4] выберите нужный параметр.

Параметр "Ref. address" (Адрес обращ.) ..... "0" - "15"  
 Параметр "Stable mode" (Стабильный режим) ..... "Cool" (Охлажд.) /  
 "Heat" (Нагрев) /  
 "Normal" (Нормальный)

- Нажмите кнопку [ВЫБОР], начнется работа в выбранном режиме.
- \* Работа в режиме "Stable mode" (Стабильный режим) займет прим. 20 минут.

Отобразятся рабочие данные.

Для параметра общего времени работы компрессора (COMP. run (КОМП. раб.)) используется единица 10 часов, а для параметра количества включений компрессора (COMP. On/Off (КОМП. Вкл/Выкл)) используется единица 100 раз (дробные значения исключены)

#### Навигация по экранам

- Для возврата в Главное меню ..... кнопка [МЕНЮ]
- Для возврата к предыдущему экрану ..... кнопка [ВОЗВРАТ]

This product is designed and intended for use in the residential,  
commercial and light-industrial environment.

The product at hand is  
based on the following  
EU regulations:

- Low Voltage Directive 2006/95/EC
- Electromagnetic Compatibility Directive  
2004/108/EC
- Machinery Directive 2006/42/EC
- Energy-related Products Directive  
2009/125/EC \*
- \* Only RP35/50/60/71/100
- RoHs Directive 2011/65/EU

Please be sure to put the contact address/telephone number on  
this manual before handing it to the customer.

## **MITSUBISHI ELECTRIC CORPORATION**

HEAD OFFICE: TOKYO BLDG., 2-7-3, MARUNOUCHI, CHIYODA-KU, TOKYO 100-8310, JAPAN  
Authorized representative in EU: MITSUBISHI ELECTRIC EUROPE B.V.

HARMAN HOUSE, 1 GEORGE STREET, UXBRIDGE, MIDDLESEX UB8 1QQ, U.K.