

Air-Conditioners

PUMY-P112, P125, P140VKM1

PUMY-P112, P125, P140YKM1

For use with R410A

INSTALLATION MANUAL

For safe and correct use, read this manual and the indoor unit installation manual thoroughly before installing the air-conditioner unit.

FOR INSTALLER

INSTALLATIONSHANDBUCH

Aus Sicherheitsgründen und zur richtigen Verwendung vor der Installation die vorliegende Bedienungsanleitung und die Installationsanleitung der Innenanlage gründlich durchlesen die Klimaanlage.

FÜR INSTALLATEURE

MANUEL D'INSTALLATION

Avant d'installer le climatiseur, lire attentivement ce manuel, ainsi que le manuel d'installation de l'appareil intérieur pour une utilisation sûre et correcte.

POUR L'INSTALLATEUR

INSTALLATIEHANDLEIDING

Lees deze handleiding en de installatiehandleiding van het binnenapparaat zorgvuldig door voordat u met het installeren van de airconditioner begint.

VOOR DE INSTALLATEUR

MANUAL DE INSTALACIÓN

Para un uso correcto y seguro, lea detalladamente este manual y el manual de instalación de la unidad interior antes de instalar la unidad de aire acondicionado.

PARA EL INSTALADOR

MANUALE DI INSTALLAZIONE

Per un uso sicuro e corretto, leggere attentamente il presente manuale ed il manuale d'installazione dell'unità interna prima di installare il condizionatore d'aria.

PER L'INSTALLATORE

ΕΓΧΕΙΡΙΔΙΟ ΟΔΗΓΙΩΝ ΕΓΚΑΤΑΣΤΑΣΗΣ

Για σωστή και ασφαλή χρήση, διαβάστε προσεκτικά αυτό το εγχειρίδιο καθώς και το εγχειρίδιο εγκατάστασης της εσωτερικής μονάδας, προτού εγκαταστήσετε τη μονάδα του κλιματιστικού.

ΓΙΑ ΑΥΤΟΝ ΠΟΥ ΚΑΝΕΙ ΤΗΝ ΕΓΚΑΤΑΣΤΑΣΗ

MANUAL DE INSTALAÇÃO

Para uma utilização segura e correcta, leia atentamente este manual e o manual de instalação da unidade interior antes de instalar o aparelho de ar condicionado.

PARA O INSTALADOR

INSTALLATIONSMANUAL

Læs af sikkerhedshensyn denne manual samt manualen til installation af indendørsenheden grundigt, før du installerer klimaanlægget.

TIL INSTALLATØREN

INSTALLATIONSMANUAL

Läs bruksanvisningen och inomhusenhetens installationshandbok noga innan luftkonditioneringen installeras så att den används på ett säkert och korrekt sätt.

FÖR INSTALLATÖREN

MONTAJ ELKİTABI

Emniyetli ve doğru kullanım için, klima cihazını monte etmeden önce bu kılavuzu ve iç ünite montaj kılavuzunu tamamiyle okuyun.

MONTÖR İÇİN

РУКОВОДСТВО ПО УСТАНОВКЕ

Для обеспечения безопасной и надлежащей эксплуатации внимательно прочтите данное руководство и руководство по установке внутреннего прибора перед установкой кондиционера.

ДЛЯ УСТАНОВИТЕЛЯ

English (GB)

Deutsch (D)

Français (F)

Nederlands (NL)

Español (E)

Italiano (I)

Ελληνικά (GR)

Português (P)

Dansk (DA)

Svenska (SW)

Türkçe (TR)

Русский (RU)

Contents

1. Safety precautions.....	2	5. Drainage piping work.....	11
2. Installation location.....	4	6. Electrical work.....	11
3. Installing the outdoor unit.....	6	7. Test run.....	18
4. Installing the refrigerant piping.....	6		

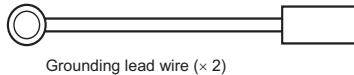
⚠ Caution:

- Do not vent R410A into the Atmosphere:
- R410A is a Fluorinated Greenhouse gas, covered by the Kyoto Protocol, with a Global Warming Potential (GWP)=1975.

Confirmation of parts attached

In addition to this manual, the following parts are supplied with the outdoor unit. They are used for grounding the S terminals of transmission terminal blocks TB3, TB7. For details refer to "6. Electrical work".

<PUMY-P112-140YKM1>

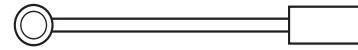


Grounding lead wire (× 2)

<PUMY-P112-140VKM1>



Grounding lead wire with a ferrite core for TB3



Grounding lead wire without a ferrite core for TB7

1. Safety precautions

- ▶ Before installing the unit, make sure you read all the "Safety precautions".
- ▶ Please report to or take consent by the supply authority before connection to the system.
- ▶ Equipment complying with IEC/EN 61000-3-12
- ▶ PUMY-P-VKM series is designed for use in the residential, commercial and light-industrial environment.
- ▶ PUMY-P-YKM series is designed as professional equipment.

⚠ Warning:

Describes precautions that must be observed to prevent danger of injury or death to the user.

⚠ Caution:

Describes precautions that must be observed to prevent damage to the unit.

⚠ Warning:

- The unit must not be installed by the user. Ask a dealer or an authorized technician to install the unit. If the unit is installed incorrectly, water leakage, electric shock, or fire may result.
- This appliance is intended to be used by expert or trained users in shops, in light industry and on farms, or for commercial use by lay persons.
- For installation work, follow the instructions in the Installation Manual and use tools and pipe components specifically made for use with R410A refrigerant. The R410A refrigerant in the HFC system is pressurized 1.6 times the pressure of usual refrigerants. If pipe components not designed for R410A refrigerant are used and the unit is not installed correctly, the pipes may burst and cause damage or injuries. In addition, water leakage, electric shock, or fire may result.
- The unit must be installed according to the instructions in order to minimize the risk of damage from earthquakes, typhoons, or strong winds. An incorrectly installed unit may fall down and cause damage or injuries.
- The unit must be securely installed on a structure that can sustain its weight. If the unit is mounted on an unstable structure, it may fall down and cause damage or injuries.
- If the air conditioner is installed in a small room, measures must be taken to prevent the refrigerant concentration in the room from exceeding the safety limit in the event of refrigerant leakage. Consult a dealer regarding the appropriate measures to prevent the allowable concentration from being exceeded. Should the refrigerant leak and cause the concentration limit to be exceeded, hazards due to lack of oxygen in the room may result.
- Ventilate the room if refrigerant leaks during operation. If refrigerant comes into contact with a flame, poisonous gases will be released.
- All electric work must be performed by a qualified technician according to local regulations and the instructions given in this manual. The units must be powered by dedicated power lines and the correct voltage and circuit breakers must be used. Power lines with insufficient capacity or incorrect electrical work may result in electric shock or fire.
- Use C1220 copper phosphorus, for copper and copper alloy seamless pipes, to connect the refrigerant pipes. If the pipes are not connected correctly, the unit will not be properly grounded and electric shock may result.

After installation work has been completed, explain the "Safety Precautions," use, and maintenance of the unit to the customer according to the information in the Operation Manual and perform the test run to ensure normal operation. Both the Installation Manual and Operation Manual must be given to the user for keeping. These manuals must be passed on to subsequent users.

⚡ : Indicates a part which must be grounded.

⚠ Warning:

Carefully read the labels affixed to the main unit.

- Use only specified cables for wiring. The wiring connections must be made securely with no tension applied on the terminal connections. Also, never splice the cables for wiring (unless otherwise indicated in this document). Failure to observe these instructions may result in overheating or a fire.
- The terminal block cover panel of the outdoor unit must be firmly attached. If the cover panel is mounted incorrectly and dust and moisture enter the unit, electric shock or fire may result.
- When installing or relocating, or servicing the air conditioner, use only the specified refrigerant (R410A) to charge the refrigerant lines. Do not mix it with any other refrigerant and do not allow air to remain in the lines. If air is mixed with the refrigerant, then it can be the cause of abnormal high pressure in the refrigerant line, and may result in an explosion and other hazards. The use of any refrigerant other than that specified for the system will cause mechanical failure or system malfunction or unit breakdown. In the worst case, this could lead to a serious impediment to securing product safety.
- Use only accessories authorized by Mitsubishi Electric and ask a dealer or an authorized technician to install them. If accessories are incorrectly installed, water leakage, electric shock, or fire may result.
- Do not alter the unit. Consult a dealer for repairs. If alterations or repairs are not performed correctly, water leakage, electric shock, or fire may result.
- The user should never attempt to repair the unit or transfer it to another location. If the unit is installed incorrectly, water leakage, electric shock, or fire may result. If the air conditioner must be repaired or moved, ask a dealer or an authorized technician.
- After installation has been completed, check for refrigerant leaks. If refrigerant leaks into the room and comes into contact with the flame of a heater or portable cooking range, poisonous gases will be released.

1. Safety precautions

1.1. Before installation

⚠ Caution:

- Do not use the unit in an unusual environment. If the air conditioner is installed in areas exposed to steam, volatile oil (including machine oil), or sulfuric gas, areas exposed to high salt content such as the seaside, or areas where the unit will be covered by snow, the performance can be significantly reduced and the internal parts can be damaged.
- Do not install the unit where combustible gases may leak, be produced, flow, or accumulate. If combustible gas accumulates around the unit, fire or explosion may result.
- The outdoor unit produces condensation during the heating operation. Make sure to provide drainage around the outdoor unit if such condensation is likely to cause damage.
- When installing the unit in a hospital or communications office, be prepared for noise and electronic interference. Inverters, home appliances, high-frequency medical equipment, and radio communications equipment can cause the air conditioner to malfunction or breakdown. The air conditioner may also affect medical equipment, disturbing medical care, and communications equipment, harming the screen display quality.

1.2. Before installation (relocation)

⚠ Caution:

- Be extremely careful when transporting the units. Two or more persons are needed to handle the unit, as it weighs 20 kg or more. Do not grasp the packaging bands. Wear protective gloves to remove the unit from the packaging and to move it, as you can injure your hands on the fins or other parts.
- Be sure to safely dispose of the packaging materials. Packaging materials, such as nails and other metal or wooden parts may cause stabs or other injuries.
- The base and attachments of the outdoor unit must be periodically checked for looseness, cracks or other damage. If such defects are left uncorrected, the unit may fall down and cause damage or injuries.
- Do not clean the air conditioner unit with water. Electric shock may result.
- Tighten all flare nuts to specification using a torque wrench. If tightened too much, the flare nut can break after an extended period and refrigerant can leak out.

1.3. Before electric work

⚠ Caution:

- Be sure to install circuit breakers. If not installed, electric shock may result.
- For the power lines, use standard cables of sufficient capacity. Otherwise, a short circuit, overheating, or fire may result.
- When installing the power lines, do not apply tension to the cables. If the connections are loosened, the cables can snap or break and overheating or fire may result.
- Be sure to ground the unit. Do not connect the ground wire to gas or water pipes, lighting rods, or telephone grounding lines. If the unit is not properly grounded, electric shock may result.
- Use circuit breakers (ground fault interrupter, isolating switch (+B fuse), and molded case circuit breaker) with the specified capacity. If the circuit breaker capacity is larger than the specified capacity, breakdown or fire may result.

1.4. Before starting the test run

⚠ Caution:

- Turn on the main power switch more than 12 hours before starting operation. Starting operation just after turning on the power switch can severely damage the internal parts. Keep the main power switch turned on during the operation season.
- Before starting operation, check that all panels, guards and other protective parts are correctly installed. Rotating, hot, or high voltage parts can cause injuries.
- Do not touch any switch with wet hands. Electric shock may result.
- Do not touch the refrigerant pipes with bare hands during operation. The refrigerant pipes are hot or cold depending on the condition of the flowing refrigerant. If you touch the pipes, burns or frostbite may result.
- After stopping operation, be sure to wait at least five minutes before turning off the main power switch. Otherwise, water leakage or breakdown may result.

1.5. Using R410A refrigerant air conditioners

⚠ Caution:

- Use C1220 copper phosphorus, for copper and copper alloy seamless pipes, to connect the refrigerant pipes. Make sure the insides of the pipes are clean and do not contain any harmful contaminants such as sulfuric compounds, oxidants, debris, or dust. Use pipes with the specified thickness. (Refer to page 6) Note the following if reusing existing pipes that carried R22 refrigerant.
 - Replace the existing flare nuts and flare the flared sections again.
 - Do not use thin pipes. (Refer to page 6)
- Store the pipes to be used during installation indoors and keep both ends of the pipes sealed until just before brazing. (Leave elbow joints, etc. in their packaging.) If dust, debris, or moisture enters the refrigerant lines, oil deterioration or compressor breakdown may result.
- Use ester oil, ether oil, alkylbenzene oil (small amount) as the refrigeration oil applied to the flared sections. If mineral oil is mixed in the refrigeration oil, oil deterioration may result.
- Do not use refrigerant other than R410A refrigerant. If another refrigerant is used, the chlorine will cause the oil to deteriorate.
- Use the following tools specifically designed for use with R410A refrigerant. The following tools are necessary to use R410A refrigerant. Contact your nearest dealer for any questions.

Tools (for R410A)	
Gauge manifold	Flare tool
Charge hose	Size adjustment gauge
Gas leak detector	Vacuum pump adapter
Torque wrench	Electronic refrigerant charging scale

- Be sure to use the correct tools. If dust, debris, or moisture enters the refrigerant lines, refrigeration oil deterioration may result.
- Do not use a charging cylinder. If a charging cylinder is used, the composition of the refrigerant will change and the efficiency will be lowered.

2. Installation location

2.1. Refrigerant pipe

Refer to Fig. 4-1.

2.2. Choosing the outdoor unit installation location

- Avoid locations exposed to direct sunlight or other sources of heat.
- Select a location from which noise emitted by the unit will not inconvenience neighbors.
- Select a location permitting easy wiring and pipe access to the power source and indoor unit.
- Avoid locations where combustible gases may leak, be produced, flow, or accumulate.
- Note that water may drain from the unit during operation.
- Select a level location that can bear the weight and vibration of the unit.
- Avoid locations where the unit can be covered by snow. In areas where heavy snow fall is anticipated, special precautions such as raising the installation location or installing a hood on the air intake must be taken to prevent the snow from blocking the air intake or blowing directly against it. This can reduce the airflow and a malfunction may result.
- Avoid locations exposed to oil, steam, or sulfuric gas.
- Use the transportation handles of the outdoor unit to transport the unit. If the unit is carried from the bottom, hands or fingers may be pinched.

(mm)

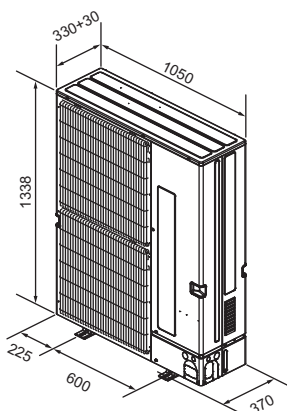


Fig. 2-1

Table 2

Connectable indoor units quantities	
PUMY-P112	1-10
PUMY-P125	1-12
PUMY-P140	1-12*

Connectable indoor units quantities via Branch Box	
PUMY-P112	2-8
PUMY-P125	2-8
PUMY-P140	2-8

Table 3 PWFY unit specifications

Model		PWFY-P100VM-E-AU
Temp. range of Heating	Outdoor temp.	-15 to 21°C (DB), -15 to 15°C (WB)
	Inlet Water temp.	10 to 45°C
Temp. range of Cooling	Outdoor temp.	-
	Inlet Water temp.	-

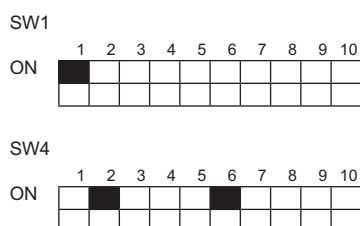


Fig. 2-2

2.3. Outline dimensions (Outdoor unit) (Fig. 2-1)

Constraints on indoor unit installation

You should note that indoor units that can be connected to this outdoor unit are the following models.

- Indoor units with model numbers 15-140 (PUMY-P112:15-125) can be connected. When using Branch box, Indoor units with model numbers 15-100 can be connected. Refer to the table 1 below for possible room, indoor unit combinations.

Verification

The rated capacity should be determined by observing the table below. The unit's quantities are limited as shown in the following table 2. For the next step, make sure that the total rated capacity selected will stay in a range of 50% - 130% of the outdoor unit capacity.

- PUMY-P112 6.3 - 16.2 kW
- PUMY-P125 7.1 - 18.2 kW
- PUMY-P140 8.0 - 20.2 kW

Table 1-1 (P*FY series (For Building Application indoor unit))

Indoor unit type	P15	P20	P25	P32	P40	P50	P63	P71	P80	P100	P125	P140
Rated capacity (Cooling) (kW)	1.7	2.2	2.8	3.6	4.5	5.6	7.1	8.0	9.0	11.2	14.0	16.0

Table 1-2 (M*Z series)

Indoor unit type	15	20	22	25	35	42	50	60	71	80
Rated capacity (Cooling) (kW)	1.5	2.0	2.2	2.5	3.5	4.2	5.0	6.0	7.1	8.0

Combinations in which the total capacity of indoor units exceeds the capacity of the outdoor unit will reduce the cooling capacity of each indoor unit below their rated cooling capacity. Thus, combine indoor units with an outdoor unit within the outdoor unit's capacity, if possible.

* When all the indoor units are 1.7 kW models, 12 indoor units can be connected to 1 outdoor unit.

2.4. Connecting a PWFY Unit

When using a PWFY unit as an indoor unit, be aware of the following points because the PWFY unit is different from other indoor units.

2.4.1. Connection restrictions

- Only 1 PWFY-P100VM-E-AU can be connected. PWFY-P200VM-E-AU and PWFY-P100VM-E-BU cannot be connected.
- The PWFY unit cannot be the only unit connected to an outdoor unit. Select an outdoor unit so that the total rated capacity of the indoor units, excluding the PWFY unit, is 50-100% of the outdoor unit capacity.

Limits for the total rated capacity of the indoor units when connecting a PWFY unit

- PUMY-P112 (1 PWFY unit + Non-PWFY units [6.3-12.5 kW])
- PUMY-P125 (1 PWFY unit + Non-PWFY units [7.1-14.0 kW])
- PUMY-P140 (1 PWFY unit + Non-PWFY units [8.0-15.5 kW])

2.4.2. Indoor unit specifications

When connecting a PWFY unit to a PUMY unit, the following specifications will change.

- The PWFY unit can operate only in heating mode. The PWFY unit cannot operate in cooling mode. However, the indoor units other than the PWFY unit can operate in cooling mode.
- The other indoor units cannot operate at the same time as the PWFY unit.
- The operation of the PWFY unit has priority. When the PWFY unit is in the operation mode, the other indoor units will stop.
- The temperature setting of the remote controller is the target value for the outlet water temperature.

2.4.3. Switch settings (Fig. 2-2)

When connecting a PWFY unit to a PUMY unit, set DIP switches SW1-1, SW4-2, and SW4-6 of the PWFY unit to ON.

2.4.4. Test run

If the test run is carried out using the outdoor unit switches, the PWFY unit will not operate. Carry out the test run using the PWFY unit switches or the remote controller.

For information about carrying out the test run, refer to the data book or the service manual for the PWFY unit.

2.4.5. Refrigerant collecting (Pump down)

Step ① in the pump down procedure instructs the user to "operate all indoor units in cooling mode". However, the PWFY unit will not operate in cooling mode. Operate all of the indoor units, excluding the PWFY unit, in cooling mode.

2. Installation location

2.5. Ventilation and service space

2.5.1. When installing a single outdoor unit

Minimum dimensions are as follows, except for Max., meaning Maximum dimensions, indicated.

Refer to the figures for each case.

- ① Obstacles at rear only (Fig. 2-3)
- ② Obstacles at rear and above only (Fig. 2-4)
 - * Do not install the optional air outlet guides for upward airflow.
- ③ Obstacles at rear and sides only (Fig. 2-5)
- ④ Obstacles at front only (Fig. 2-6)
- ⑤ Obstacles at front and rear only (Fig. 2-7)
- ⑥ Obstacles at rear, sides, and above only (Fig. 2-8)
 - * When using an optional air outlet guide, the clearance is 500 mm or more.
- ⑦ Obstacles at rear, sides, and above only (Fig. 2-8)
 - * When using an optional air outlet guide, the clearance is 500 mm or more.

2.5.2. When installing multiple outdoor units

Leave 25 mm space or more between the units.

- ① Obstacles at rear only (Fig. 2-9)
- ② Obstacles at rear and above only (Fig. 2-10)
 - * No more than three units must be installed side by side. In addition, leave space as shown.
 - * Do not install the optional air outlet guides for upward airflow.
- ③ Obstacles at front only (Fig. 2-11)
- ④ Obstacles at front and rear only (Fig. 2-12)
 - * When using an optional air outlet guide, the clearance is 1000 mm or more.
- ⑤ Single parallel unit arrangement (Fig. 2-13)
 - * When using an optional air outlet guide installed for upward airflow, the clearance is 1000 mm or more.
- ⑥ Multiple parallel unit arrangement (Fig. 2-14)
 - * When using an optional air outlet guide installed for upward airflow, the clearance is 1500 mm or more.
- ⑦ Stacked unit arrangement (Fig. 2-15)
 - * The units can be stacked up to two units high.
 - * No more than two stacked units must be installed side by side. In addition, leave space as shown.

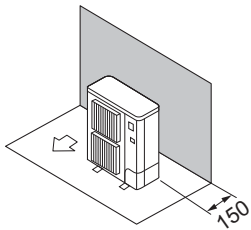


Fig. 2-3

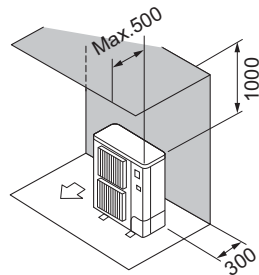


Fig. 2-4

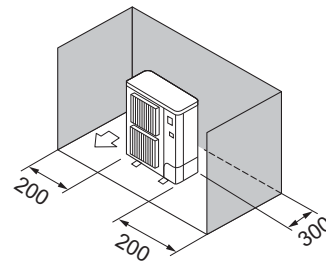


Fig. 2-5

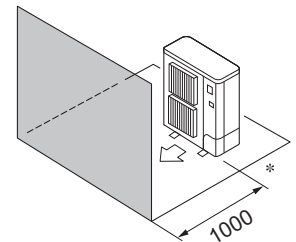


Fig. 2-6

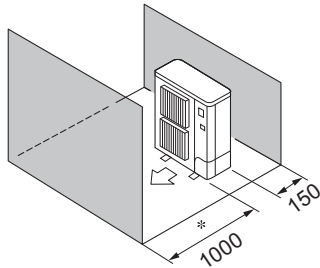


Fig. 2-7

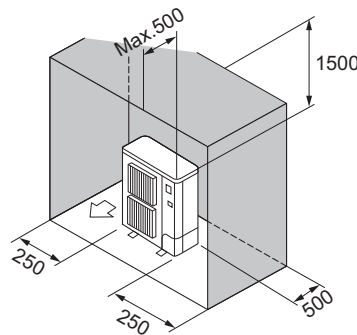


Fig. 2-8

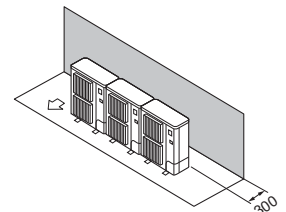


Fig. 2-9

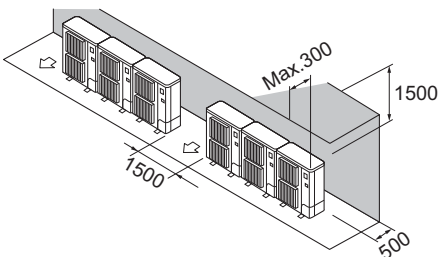


Fig. 2-10

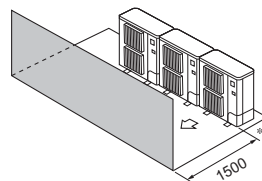


Fig. 2-11

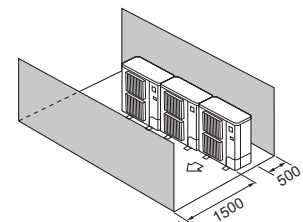


Fig. 2-12

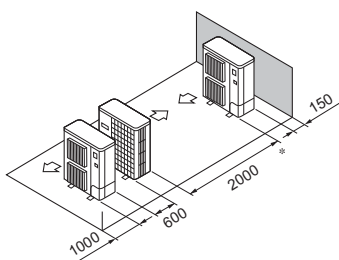


Fig. 2-13

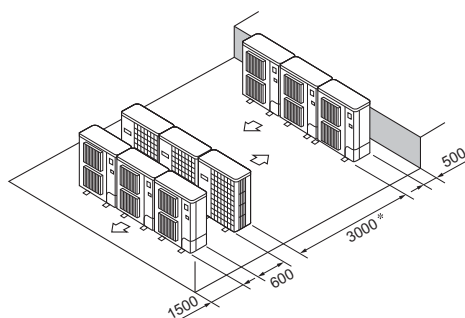


Fig. 2-14

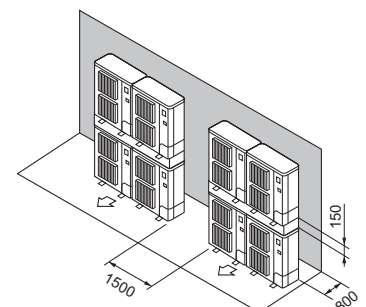


Fig. 2-15

2. Installation location

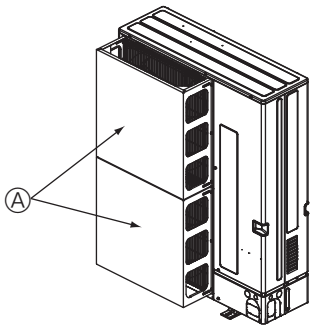


Fig. 2-16

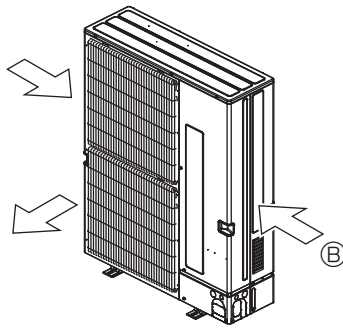


Fig. 2-17

2.5.3. Windy location installation

When installing the outdoor unit on a rooftop or other location unprotected from the wind, situate the air outlet of the unit so that it is not directly exposed to strong winds. Strong wind entering the air outlet may impede the normal airflow and a malfunction may result.

The following shows two examples of precautions against strong winds.

- ① Install an optional air guide if the unit is installed in a location where strong winds from a typhoon, etc. may directly enter the air outlet. (Fig. 2-16)
 - Ⓐ Air guide
- ② Position the unit so that the air outlet blows perpendicularly to the seasonal wind direction, if possible. (Fig. 2-17)
 - Ⓔ Wind direction

3. Installing the outdoor unit

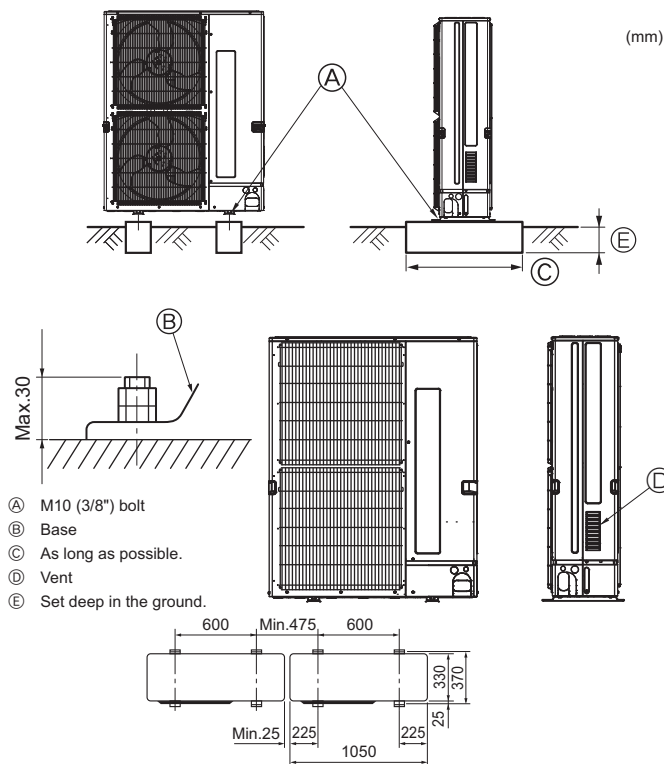


Fig. 3-1

- Be sure to install the unit in a sturdy, level surface to prevent rattling noises during operation. (Fig. 3-1)

<Foundation specifications>

Foundation bolt	M10 (3/8")
Thickness of concrete	120 mm
Length of bolt	70 mm
Weight-bearing capacity	320 kg

- Make sure that the length of the foundation bolt is within 30 mm of the bottom surface of the base.
- Secure the base of the unit firmly with four-M10 foundation bolts in sturdy locations.

Installing the outdoor unit

- Do not block the vent. If the vent is blocked, operation will be hindered and breakdown may result.
- In addition to the unit base, use the installation holes on the back of the unit to attach wires, etc., if necessary to install the unit. Use self-tapping screws ($\phi 5 \times 15$ mm or less) and install on site.

⚠ Warning:

- The unit must be securely installed on a structure that can sustain its weight. If the unit is mounted on an unstable structure, it may fall down and cause damage or injuries.
- The unit must be installed according to the instructions in order to minimize the risk of damage from earthquakes, typhoons, or strong winds. An incorrectly installed unit may fall down and cause damage or injuries.

4. Installing the refrigerant piping

4.1. Precautions for devices that use R410A refrigerant

- Refer to page 3 for precautions not included below on using air conditioners with R410A refrigerant.
- Use ester oil, ether oil, alkylbenzene oil (small amount) as the refrigeration oil applied to the flared sections.
- Use C1220 copper phosphorus, for copper and copper alloy seamless pipes, to connect the refrigerant pipes. Use refrigerant pipes with the thicknesses specified in the table to the below. Make sure the insides of the pipes are clean and do not contain any harmful contaminants such as sulfuric compounds, oxidants, debris, or dust.

⚠ Warning:

When installing or relocating, or servicing the air conditioner, use only the specified refrigerant (R410A) to charge the refrigerant lines. Do not mix it with any other refrigerant and do not allow air to remain in the lines.

If air is mixed with the refrigerant, then it can be the cause of abnormal high pressure in the refrigerant line, and may result in an explosion and other hazards. The use of any refrigerant other than that specified for the system will cause mechanical failure or system malfunction or unit breakdown. In the worst case, this could lead to a serious impediment to securing product safety.

$\phi 6.35, \phi 9.52, \phi 12.7$	Thickness 0.8 mm
$\phi 15.88$	Thickness 1.0 mm

- Do not use pipes thinner than those specified above.
- The thicknesses listed in the table above are based on Japanese standards. Use pipes with a maximum working pressure of 4.15 MPa [601 PSIG] or higher according to local standards.

4. Installing the refrigerant piping

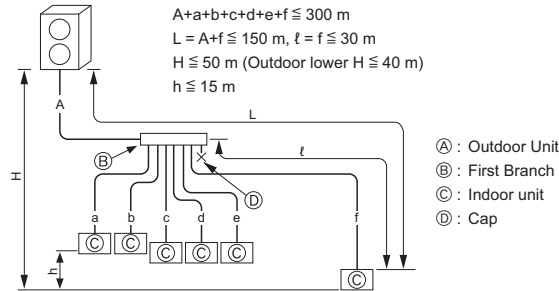
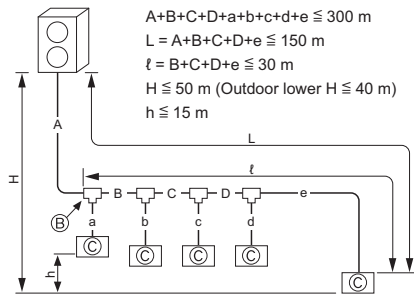


Fig. 4-1

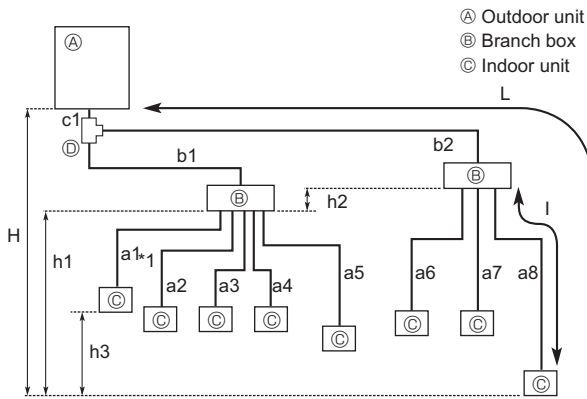


Fig. 4-2

Permissible length (one-way)	Total piping length	$c1 + b1 + b2 + a1 + a2 + a3 + a4 + a5 + a6 + a7 + a8 \leq 150$ m
	Farthest piping length (L)	$c1 + b2 + a8 \leq 80$ m ($b2 \leq 55$ m, $a8 \leq 25$ m)
	Piping length between outdoor unit and branch boxes	$c1 + b1 + b2 \leq 55$ m
	Farthest branch box from the first joint (b2)	$b2 \leq 30$ m
	Farthest piping length after branch box (I)	$a8 \leq 25$ m
	Total piping length between branch boxes and indoor units	$a1 + a2 + a3 + a4 + a5 + a6 + a7 + a8 \leq 95$ m
Permissible height difference (one-way)	In indoor/outdoor section (H)*1	$H \leq 50$ m (In case of outdoor unit is set higher than indoor unit) $H \leq 40$ m (In case of outdoor unit is set lower than indoor unit)
	In branch box/indoor unit section (h1)	$h1 + h2 \leq 15$ m
	In each branch unit (h2)	$h2 \leq 15$ m
	In each indoor unit (h3)	$h3 \leq 12$ m
Number of bends	$ c1 + b1 + a1 , c1 + b1 + a2 , c1 + b1 + a3 , c1 + b1 + a4 , c1 + b1 + a5 , c1 + b2 + a6 , c1 + b2 + a7 , c1 + b2 + a8 \leq 15$	

*1 Branch box should be placed within the level between the outdoor unit and indoor units.

4.2. Pipe length and height difference

4.2.1. Connection without Branch Box (Fig. 4-1)

A	(mm)	
	A Liquid pipe	B Gas pipe
PUMY-P112-140	$\phi 9.52$	$\phi 15.88$

B, C, D	(mm)	
C Total capacity of indoor units	A Liquid pipe	B Gas pipe
	$\phi 9.52$	$\phi 15.88$

a, b, c, d, e, f	(mm)	
D Model number	A Liquid pipe	B Gas pipe
15, 20, 25, 32, 40, 50	$\phi 6.35$	$\phi 12.7$
63, 80, 100, 125, 140	$\phi 9.52$	$\phi 15.88$

E Branch kit model
CMY-Y62-G-E

F 4-Branching header	G 8-Branching header
CMY-Y64-G-E	CMY-Y68-G-E

* When connecting the CONNECTION KIT (PAC-LV11M-J) and an M-series indoor unit, refer to the installation manual for the CONNECTION KIT when selecting the pipe size and piping length.

4.2.2. Connection with Branch Box (Fig. 4-2)

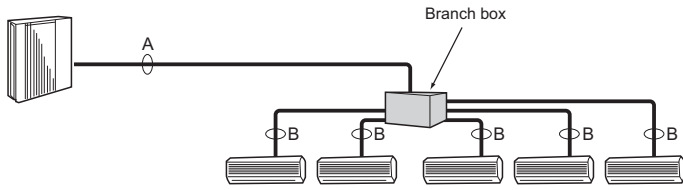
Flared connections

- This unit has flared connections on each indoor unit and branch box and outdoor unit sides.
- Remove the valve cover of the outdoor unit, then connect the pipe.
- Refrigerant pipes are used to connect the branch box and outdoor unit.

4. Installing the refrigerant piping

In case of using 1-branch box

Flare connection employed. (No. brazing)



In case of using 2-branch boxes

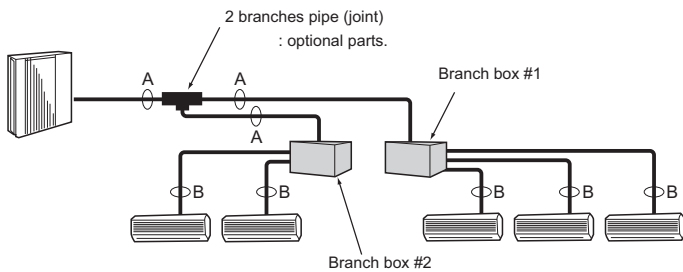


Fig. 4-3

(1) Valve size for outdoor unit

For liquid	ø9.52 mm
For gas	ø15.88 mm

(2) Valve size for branch box

UNIT	Pipe	Valve size (mm)
A UNIT	Liquid pipe	ø6.35 mm
	Gas pipe	ø9.52 mm
B UNIT	Liquid pipe	ø6.35 mm
	Gas pipe	ø9.52 mm
C UNIT	Liquid pipe	ø6.35 mm
	Gas pipe	ø9.52 mm
D UNIT	Liquid pipe	ø6.35 mm
	Gas pipe	ø9.52 mm
E UNIT	Liquid pipe	ø6.35 mm
	Gas pipe	ø12.7 mm

* 3-branch type : only A, B, C unit

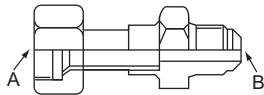


Fig. 4-4

Conversion formula

1/4 F	ø6.35
3/8 F	ø9.52
1/2 F	ø12.7
5/8 F	ø15.88
3/4 F	ø19.05

4.3. Selecting pipe size

4.3.1. Connection without Branch Box

		Indoor unit		Outdoor unit
		15-50	63-140	112-140
Gas side	Pipe size (mm)	ø12.7	ø15.88	ø15.88
Liquid side	Pipe size (mm)	ø6.35	ø9.52	ø9.52

4.3.2. Connection with Branch Box (Fig. 4-3)

	A	B
Liquid (mm)	ø9.52	The piping connection size differs according to the type and capacity of indoor units. Match the piping connection size of branch box with indoor unit. If the piping connection size of branch box does not match the piping connection size of indoor unit, use optional different-diameter (deformed) joints to the branch box side. (Connect deformed joint directly to the branch box side.)
Gas (mm)	ø15.88	

Different-diameter joint (optional parts) (Fig. 4-4)

Model name	Connected pipes diameter	Diameter A	Diameter B
	mm	mm	mm
MAC-A454JP	ø9.52 → ø12.7	ø9.52	ø12.7
MAC-A455JP	ø12.7 → ø9.52	ø12.7	ø9.52
MAC-A456JP	ø12.7 → ø15.88	ø12.7	ø15.88
PAC-493PI	ø6.35 → ø9.52	ø6.35	ø9.52
PAC-SG76RJ-E	ø9.52 → ø15.88	ø9.52	ø15.88

Piping preparation

① Table below shows the specifications of pipes commercially available.

Outside diameter	Insulation thickness	Insulation material
6.35	8	Heat resisting foam plastic 0.045 specific gravity
9.52	8	
12.7	8	
15.88	8	

- ② Ensure that the 2 refrigerant pipes are insulated to prevent condensation.
- ③ Refrigerant pipe bending radius must be 100 mm or more.

⚠ Caution:

Be sure to use the insulation of specified thickness. Excessive thickness may cause incorrect installation of the indoor unit and branch box, and lack of thickness may cause dew dripage.

2-branch pipe (Joint) : Optional parts (According to the connection method, you can choose the favorite one.)

Model name	Connection method
MSDD-50AR-E	flare
MSDD-50BR-E	brazing

Installation procedure (2 branches pipe (Joint))

Refer to the installation manuals of MSDD-50AR-E and MSDD-50BR-E.

Pipe size (Outdoor unit-Branch box)

Pipe size (ømm)	Liquid	Gas
	ø9.52	ø15.88

The lineup of a connectable indoor unit depends on a district/areas/country.

Pipe size (Branch box-Indoor unit) *Case of M series or S series Indoor unit

Indoor unit type (kW)	15	20	22	25	35	42	50	60	71	80
Pipe size (ømm)	ø6.35	ø6.35	ø6.35	ø6.35	ø6.35	ø6.35	ø6.35	ø6.35	ø9.52	ø9.52
	ø9.52	ø9.52	ø9.52	ø9.52	ø9.52	ø9.52	ø12.7	ø15.88	*ø15.88	ø15.88

* When using 60 type indoor unit of MEXZ series, use the flare nut in the indoor unit accessory for the gas side connecting of indoor unit. Do not use the flare nut (gas side) attached to the indoor unit. If it is used, a gas leakage or even a pipe extraction may occur.

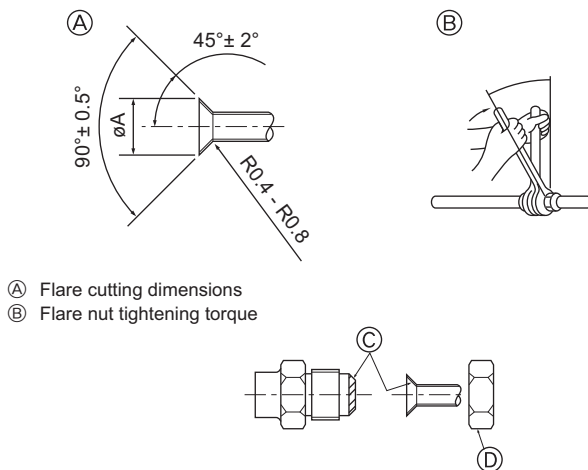
Pipe size (Branch box-Indoor unit) *Case of P series indoor unit

Indoor unit type (kW)	*1 35	*1 50	60	71	*2 100
Pipe size (ømm)	ø6.35	ø6.35	ø9.52	ø9.52	ø9.52
	ø12.7	ø12.7	ø15.88	ø15.88	ø15.88

*1 When using 35, 50 type indoor unit of P series, use the flare nut attached to the indoor unit. Do not use the flare nut in the indoor unit accessory. If it is used, a gas leakage or even a pipe extraction may occur.

*2 For details about connecting the pipes for the P100 indoor unit, refer to the installation manual of the Y-shape connection pipe (PAC-AK52YP-E).

4. Installing the refrigerant piping



(A) Flare cutting dimensions
(B) Flare nut tightening torque

Fig. 4-5

(A) (Fig. 4-5)

Copper pipe O.D. (mm)	Flare dimensions ϕA dimensions (mm)
$\phi 6.35$	8.7 - 9.1
$\phi 9.52$	12.8 - 13.2
$\phi 12.7$	16.2 - 16.6
$\phi 15.88$	19.3 - 19.7

(B) (Fig. 4-5)

Copper pipe O.D. (mm)	Flare nut O.D. (mm)	Tightening torque (N·m)
$\phi 6.35$	17	14 - 18
$\phi 6.35$	22	34 - 42
$\phi 9.52$	22	34 - 42
$\phi 12.7$	26	49 - 61
$\phi 12.7$	29	68 - 82
$\phi 15.88$	29	68 - 82
$\phi 15.88$	36	100 - 120

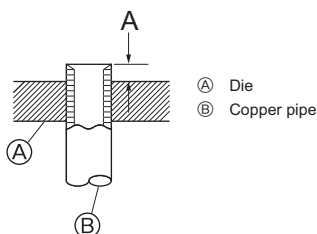


Fig. 4-6

(A) Front piping cover
(B) Piping cover
(C) Stop valve
(D) Service panel
(E) Bend radius : 100 mm - 150 mm

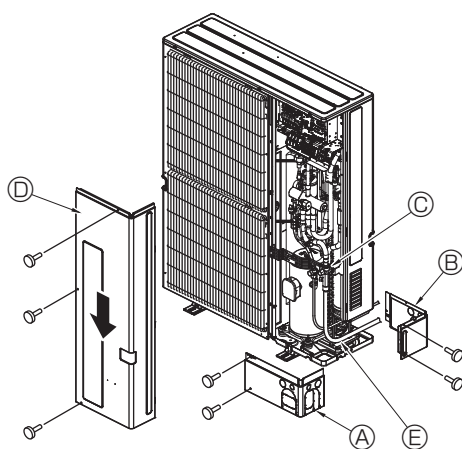


Fig. 4-7

4.4. Connecting pipes (Fig. 4-5)

Fig. 4-1 is a sample of piping system.

- Conduct sufficient anti-condensation and insulation work to prevent water dripping from the refrigerant piping. (liquid pipe/gas pipe)
- Increase insulation depending on the environment where the refrigerant piping is installed, or condensation may occur on the surface of the insulation material. (Insulation material Heat-resistant temperature: 120 °C, Thickness: 15 mm or more)
 - * When the refrigerant piping is used in locations subject to high temperature and humidity such as in the attic, further addition of insulation may be required.
- To insulate the refrigerant piping, apply heat-resistant polyethylene foam between the indoor unit and insulation material as well as to the net between the insulation material filling all gaps. (Condensation forming on the piping may result in condensation in the room or burns when contacting the piping.)
- The indoor parts of the drain pipe should be wrapped with polyethylene foam insulation materials (specific gravity of 0.03, thickness of 9 mm or more).
- Apply thin layer of refrigerant oil to pipe and joint seating surface before tightening flare nut. (A)
- Use two wrenches to tighten piping connections. (B)
- Use leak detector or soapy water to check for gas leaks after connections are completed.
- Apply refrigerating machine oil over the entire flare seat surface. (C)
- Use the flare nuts for the following pipe size. (D)
- When bending the pipes, be careful not to break them. Bend radius of 100 mm to 150 mm is sufficient.
- Make sure the pipes do not contact the compressor. Abnormal noise or vibration may result.

① Pipes must be connected starting from the indoor unit.

Flare nuts must be tightened with a torque wrench.

② Flare the liquid pipes and gas pipes and apply a thin layer of refrigeration oil (Applied on site).

• When usual pipe sealing is used, refer to Table 3 for flaring of R410A refrigerant pipes.

The size adjustment gauge can be used to confirm A measurements.

⚠ Warning:

When installing the unit, securely connect the refrigerant pipes before starting the compressor.

* To connect the CONNECTION KIT (PAC-LV11M-J), refer to the installation manual for the CONNECTION KIT.

Table 3 (Fig. 4-6)

Copper pipe O.D. (mm)	A (mm)	
	Flare tool for R410A	Flare tool for R22-R407C
	Clutch type	
$\phi 6.35$	0 - 0.5	1.0 - 1.5
$\phi 9.52$	0 - 0.5	1.0 - 1.5
$\phi 12.7$	0 - 0.5	1.0 - 1.5
$\phi 15.88$	0 - 0.5	1.0 - 1.5
$\phi 19.05$	0 - 0.5	1.0 - 1.5

4.5. Refrigerant piping (Fig. 4-7)

Remove the service panel (D) (three screws) and the front piping cover (A) (two screws) and rear piping cover (B) (two screws).

① Perform refrigerant piping connections for the indoor/outdoor unit when the outdoor unit's stop valve is completely closed.

② Vacuum-purge air from the indoor unit and the connection piping.

③ After connecting the refrigerant pipes, check the connected pipes and the indoor unit for gas leaks. (Refer to 4.6. Refrigerant pipe airtight testing method)

④ Vacuumize the refrigerant lines through the service port of the liquid and gas stop valves. And then open the stop valves completely (for both the liquid and gas stop valves). This will completely connect the refrigerant lines of the indoor and outdoor units.

- If the stop valves are left closed and the unit is operated, the compressor and control valves will be damaged.

- Use a leak detector or soapy water to check for gas leaks at the pipe connection sections of the outdoor unit.

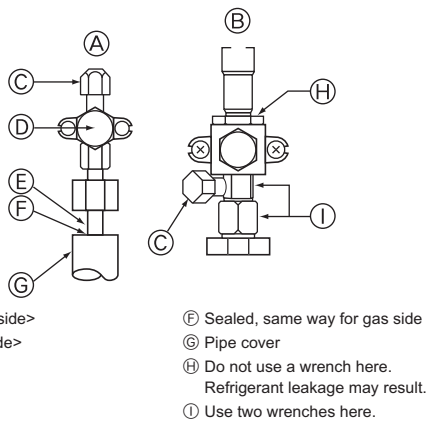
- Do not use the refrigerant from the unit to purge air from the refrigerant lines.

- After the valve work is completed, tighten the valve caps to the correct torque: 20 to 25 N·m (200 to 250 kgf·cm).

Failure to replace and tighten the caps may result in refrigerant leakage. In addition, do not damage the insides of the valve caps as they act as a seal to prevent refrigerant leakage.

⑤ Use sealant to seal the ends of the thermal insulation around the pipe connection sections to prevent water from entering the thermal insulation.

4. Installing the refrigerant piping



- Ⓐ Stop valve <Liquid side>
- Ⓑ Stop valve <Gas side>
- Ⓒ Service port
- Ⓓ Open/Close section
- Ⓔ Local pipe
- Ⓕ Sealed, same way for gas side
- Ⓖ Pipe cover
- Ⓗ Do not use a wrench here. Refrigerant leakage may result.
- Ⓘ Use two wrenches here.

Fig. 4-8

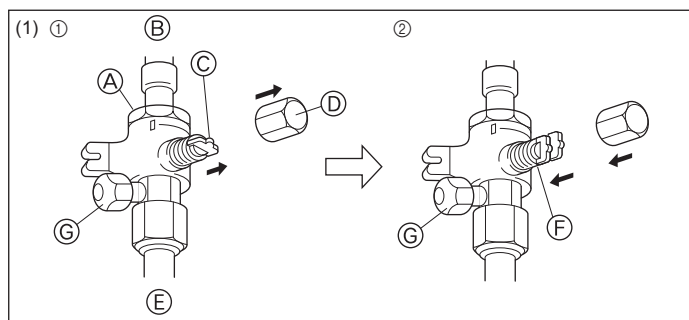


Fig. 4-9

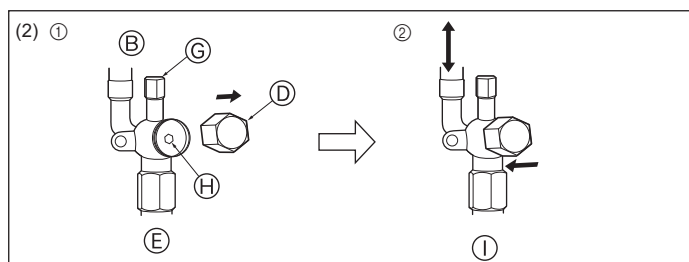
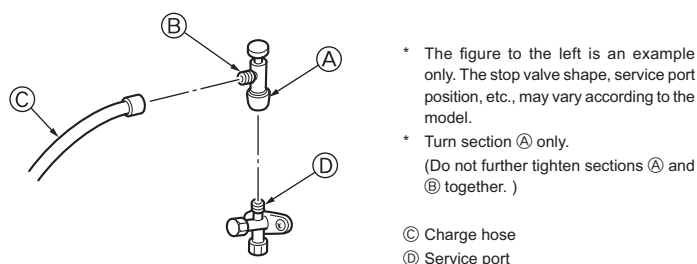


Fig. 4-10



- * The figure to the left is an example only. The stop valve shape, service port position, etc., may vary according to the model.
- * Turn section Ⓐ only. (Do not further tighten sections Ⓐ and Ⓑ together.)
- Ⓒ Charge hose
- Ⓓ Service port

Fig. 4-11

4.6. Refrigerant pipe airtight testing method

- (1) Connect the testing tools.
 - Make sure the stop valves Ⓐ Ⓑ are closed and do not open them.
 - Add pressure to the refrigerant lines through the service port Ⓒ of the liquid stop valve Ⓐ and the gas stop valve Ⓑ.
- (2) Do not add pressure to the specified pressure all at once; add pressure little by little.
 - ① Pressurize to 0.5 MPa (5 kgf/cm²G), wait five minutes, and make sure the pressure does not decrease.
 - ② Pressurize to 1.5 MPa (15 kgf/cm²G), wait five minutes, and make sure the pressure does not decrease.
 - ③ Pressurize to 4.15 MPa (41.5 kgf/cm²G) and measure the surrounding temperature and refrigerant pressure.
- (3) If the specified pressure holds for about one day and does not decrease, the pipes have passed the test and there are no leaks.
 - If the surrounding temperature changes by 1°C, the pressure will change by about 0.01 MPa (0.1 kgf/cm²G). Make the necessary corrections.
- (4) If the pressure decreases in steps (2) or (3), there is a gas leak. Look for the source of the gas leak.

4.7. Stop valve opening method

- (1) Gas side (Fig. 4-9)
 - ① Remove the cap, pull the handle toward you and rotate 1/4 turn in a counterclockwise direction to open.
 - ② Make sure that the stop valve is open completely, push in the handle and rotate the cap back to its original position.
- (2) Liquid side (Fig. 4-10)
 - ① Remove the cap and turn the valve rod counterclockwise as far as it will go with the use of a 4 mm hexagonal wrench. Stop turning when it hits the stopper. (ø6.35: Approximately 4.5 revolutions) (ø9.52: Approximately 10 revolutions)
 - ② Make sure that the stop valve is open completely, push in the handle and rotate the cap back to its original position.

Refrigerant pipes are protectively wrapped

- The pipes can be protectively wrapped up to a diameter of ø90 before or after connecting the pipes. Cut out the knockout in the pipe cover following the groove and wrap the pipes.

Pipe inlet gap

- Use putty or sealant to seal the pipe inlet around the pipes so that no gaps remain. (If the gaps are not closed, noise may be emitted or water and dust will enter the unit and breakdown may result.)

Precautions when using the charge valve (Fig. 4-11)

Do not tighten the service port too much when installing it, otherwise, the valve core could be deformed and become loose, causing a gas leak.

After positioning section Ⓑ in the desired direction, turn section Ⓐ only and tighten it.

Do not further tighten sections Ⓐ and Ⓑ together after tightening section Ⓐ.

4. Installing the refrigerant piping

4.8. Additional refrigerant charge

Additional refrigerant charge

Refrigerant for the extended piping is not included in the outdoor unit when the unit is shipped from the factory. Therefore, charge each refrigerant piping system with additional refrigerant at the installation site. In addition, in order to carry out service, enter the size and length of each liquid pipe and additional refrigerant charge amounts in the spaces provided on the "Refrigerant amount" plate on the outdoor unit.

Calculation of additional refrigerant charge

- Calculate the additional charge using the liquid pipe size and length of the extended piping and total capacity of connected indoor units.
- Calculate the additional refrigerant charge using the procedure shown to the right, and charge with the additional refrigerant.
- For amounts less than 0.1 kg, round up the calculated additional refrigerant charge.
(For example, if the calculated charge is 6.01 kg, round up the charge to 6.1 kg.)

<Additional Charge>

Calculation of refrigerant charge

Pipe size Liquid pipe ø6.35 (m) × 19.0 (g/m)	+	Pipe size Liquid pipe ø9.52 (m) × 50.0 (g/m)	+	Total capacity of connected indoor units ~ 8.0 kW 8.1 ~ 16.0 kW 16.1 kW ~	Amount for the indoor units 1.5 kg 2.5 kg 3.0 kg
---	---	---	---	---	--

Included refrigerant amount when shipped from the factory

Included refrigerant amount
4.8 kg

<Example>

Outdoor model : P125

Indoor 1 : P63 (7.1 kW)	A : ø9.52 30 m	a : ø9.52 15 m	} At the conditions below:
2 : P40 (4.5 kW)		b : ø6.35 10 m	
3 : P25 (2.8 kW)		c : ø6.35 10 m	
4 : P20 (2.2 kW)		d : ø6.35 20 m	

The total length of each liquid line is as follows:

ø9.52 : A + a = 30 + 15 = 45 m

ø6.35 : b + c + d = 10 + 10 + 20 = 40 m

The total capacity of connected indoor unit is as follows:

7.1 + 4.5 + 2.8 + 2.2 = 16.6

<Calculation example>

Additional refrigerant charge

$40 \times \frac{19.0}{1000} + 45 \times \frac{50.0}{1000} + 3.0 = 6.1 \text{ kg (rounded up)}$

5. Drainage piping work

Outdoor unit drainage pipe connection

When drain piping is necessary, use the drain socket or the drain pan (option).

	P112-140
Drain socket	PAC-SG61DS-E
Drain pan	PAC-SH97DP-E

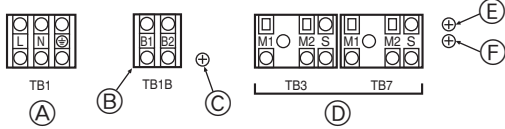
6. Electrical work

6.1. Caution

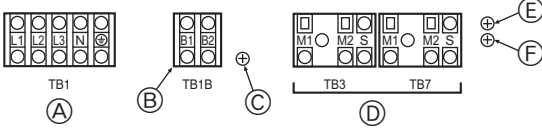
- ① Follow ordinance of your governmental organization for technical standard related to electrical equipment, wiring regulations and guidance of each electric power company.
- ② Wiring for control (hereinafter referred to as transmission line) shall be (5 cm or more) apart from power source wiring so that it is not influenced by electric noise from power source wiring. (Do not insert transmission line and power source wire in the same conduit.)
- ③ Be sure to provide designated grounding work to outdoor unit.
- ④ Give some allowance to wiring for electrical part box of indoor and outdoor units, because the box is sometimes removed at the time of service work.
- ⑤ Never connect the main power source to terminal block of transmission line. If connected, electrical parts will be burnt out.
- ⑥ Use 2-core shield cable for transmission line. If transmission lines of different systems are wired with the same multiplecore cable, the resultant poor transmitting and receiving will cause erroneous operations.
- ⑦ Only the transmission line specified should be connected to the terminal block for outdoor unit transmission.
(Transmission line to be connected with indoor unit : Terminal block TB3 for transmission line, Other : Terminal block TB7 for centralized control)
Erroneous connection does not allow the system to operate.
- ⑧ In case to connect with the upper class controller or to conduct group operation in different refrigerant systems, the control line for transmission is required between the outdoor units each other.
Connect this control line between the terminal blocks for centralized control. (2-wire line with no polarity)
When conducting group operation in different refrigerant systems without connecting to the upper class controller, replace the insertion of the short circuit connector from CN41 of one outdoor unit to CN40.
- ⑨ Group is set by operating the remote controller.
- ⑩ When connecting the CONNECTION KIT (PAC-LV11M-J) and an M-series indoor unit, refer to the installation manual for the CONNECTION KIT.
- ⑪ When connecting a branch box, be sure to turn on the indoor units and the branch box before turning on the outdoor unit.

6. Electrical work

<PUMY-P-VKM>



<PUMY-P-YKM>



- (A) : Power source
 (B) : Power supply for branch box
 (C) : Screw on the electrical component box
 (D) : Transmission line
 (E) : Screw on the electrical component box
 (F) : Screw on the electrical component box

Fig. 6-1

6.2. Control box and connecting position of wiring (Fig. 6-1)

- Connect the indoor unit transmission line to transmission terminal block (TB3), or connect the wiring between outdoor units or the wiring with the centralized control system to the centralized control terminal block (TB7).
When using shielded wiring, connect shield ground of the line between outdoor units and the centralized control system transmission line to the shield (S) terminal of the centralized control terminal block (TB7) shield (S) terminal. In addition, in the case of outdoor units whose power supply connector CN41 has been replaced by CN40, the shield terminal (S) of terminal block (TB7) of the centralized control system should also be connected to the screw (E) or (F) using attached lead wire.
- Conduit mounting plates (ø27) are being provided. Pass the power supply and transmission wires through the appropriate knock-out holes, then remove the knock-out piece from the bottom of the terminal box and connect the wires.
- Fix power source wiring to terminal box by using buffer bushing for tensile force (PG connection or the like).
- The terminal bed (TB1B) is for supplying power to the branch box (220 ~ 240 VAC. max 6 A).

⚠ Caution:

Never connect the transmission line for the indoor unit or the centralized control system transmission line to this terminal bed (TB1B). If the transmission lines are connected, the indoor unit terminal block or centralized control terminal block could be damaged.

6.3. Wiring transmission cables

① Types of control cables

- Wiring transmission cables
 - Types of transmission cables: Shielding wire CVVS, CPEVS or MVVS
 - Cable diameter: More than 1.25 mm²
 - Maximum wiring length: Within 200 m

2. M-NET Remote control cables

Kind of remote control cable	Shielding wire CVVS, CPEVS or MVVS
Cable diameter	0.5 to 1.25 mm ²
Remarks	When 10 m is exceeded, use cable with the same specifications as transmission line wiring cables.

3. MA Remote control cables

Kind of remote control cable	Sheathed 2-core cable (unshielded) CVV
Cable diameter	0.3 to 1.25 mm ² (0.75 to 1.25 mm ²)*
Remarks	Within 200 m

* Connected with simple remote controller.

② Wiring examples

- Controller name, symbol and allowable number of controllers.

Name	Symbol	Allowable number of controllers	
Outdoor unit controller	OC	–	
Indoor unit controller	IC	PUMY-P112	1 to 10 units per 1 OC
		PUMY-P125	1 to 12 units per 1 OC
		PUMY-P140	1 to 12 units per 1 OC
Remote controller	RC	RC (M-NET)	Maximum of 12 controllers for 1 OC
		MA	Maximum of 2 per group

Example of a group operation system with multiple outdoor units (Shielding wires and address setting are necessary.)

<Examples of Transmission Cable Wiring: When Not Using a Branch Box>

■ M-NET Remote Controller (Fig. 6-2)

■ MA Remote Controller (Fig. 6-3)

<Wiring Method and Address Settings>

- Always use shielded wire when making connections between the outdoor unit (OC) and the indoor unit (IC), as well for all OC-OC, and IC-IC wiring intervals.
- Use feed wiring to connect terminals M1 and M2 and the ground terminal on the transmission cable terminal block (TB3) of each outdoor unit (OC) to terminals M1, M2 and terminal S on the transmission cable terminal block of the indoor unit (IC).
- Connect terminals 1 (M1) and 2 (M2) on the transmission cable terminal block of the indoor unit (IC) that has the most recent address within the same group to the terminal block on the remote controller (RC).
- Connect together terminals M1, M2 and terminal S on the terminal block for centralized control (TB7) for the outdoor unit (OC).
- The jumper connector CN41 on the control panel does not change.
- Connect shield ground of the indoor units transmission line to the shield (S) terminal of (TB3) and also connect (S) terminal to screw (E) or (F) using attached lead wire. Connect shield ground of the line between outdoor units and the centralized control system transmission line to the shield (S) terminal of (TB7).
- Set the address setting switch as follows.

Unit	Range	Setting Method
IC (Main)	01 to 50	Use the most recent address within the same group of indoor units
IC (Sub)	01 to 50	Use an address, other than that of the IC (Main) from among the units within the same group of indoor units. This must be in sequence with the IC (Main)
Outdoor Unit	51 to 100	Use the most recent address of all the indoor units plus 50 * The address automatically becomes "100" if it is set as "01 - 50".
M-NET R/C (Main)	101 to 150	Set at an IC (Main) address within the same group plus 100
M-NET R/C (Sub)	151 to 200	Set at an IC (Main) address within the same group plus 150
MA R/C	–	Unnecessary address setting (Necessary main/sub setting)

- The group setting operations among the multiple indoor units is done by the remote controller (RC) after the electrical power has been turned on.

i. When connecting a PWFY unit

- Do not perform the group settings for the PWFY unit and the indoor units.
- The PWFY unit and a Lossnay unit cannot be set to operate at the same time.
- Use a WMA remote controller for the PWFY unit.

For details, refer to the installation manual for the PWFY unit.

6. Electrical work

<Permissible Lengths>

① M-NET Remote controller

- Max length via outdoor units: $L_1+L_2+L_3+L_4$ and $L_1+L_2+L_3+L_5$ and $L_1+L_2+L_6+L_7 \leq 500$ m (1.25 mm² or more)
- Max transmission cable length: L_1 and L_3+L_4 and L_3+L_5 and L_6 and L_2+L_6 and $L_7 \leq 200$ m (1.25 mm² or more)
- Remote controller cable length: $l_1, l_2, l_2+l_3, l_4 \leq 10$ m (0.5 to 1.25 mm²)

If the length exceeds 10 m, use a 1.25 mm² shielded wire. The length of this section (L8) should be included in the calculation of the maximum length and overall length.

② MA Remote controller

- Max length via outdoor unit (M-NET cable): $L_1+L_2+L_3+L_4$ and $L_1+L_2+L_6+L_7 \leq 500$ m (1.25 mm² or more)
- Max transmission cable length (M-NET cable): L_1 and L_3+L_4 and L_6 and L_2+L_6 and $L_7 \leq 200$ m (1.25 mm² or more)
- Remote controller cable length: m_1 and $m_1+m_2+m_3$ and $m_1+m_2+m_3+m_4 \leq 200$ m (0.3 to 1.25 mm²)

■ M-NET Remote Controller

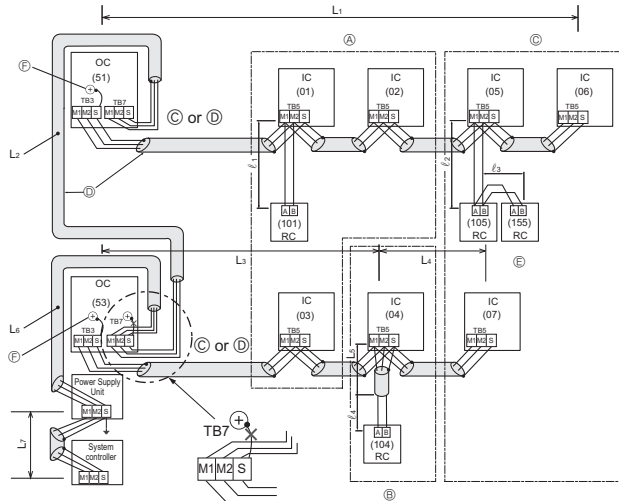


Fig. 6-2

- (A) : Group
- (B) : Group
- (C) : Group
- (D) : Shielded Wire
- (E) : Sub Remote Controller
- (F) : Screw on the electrical component box
- () : Address

■ MA Remote Controller

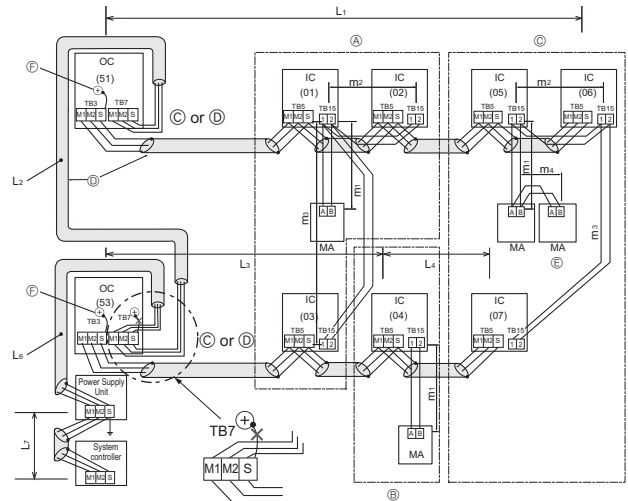
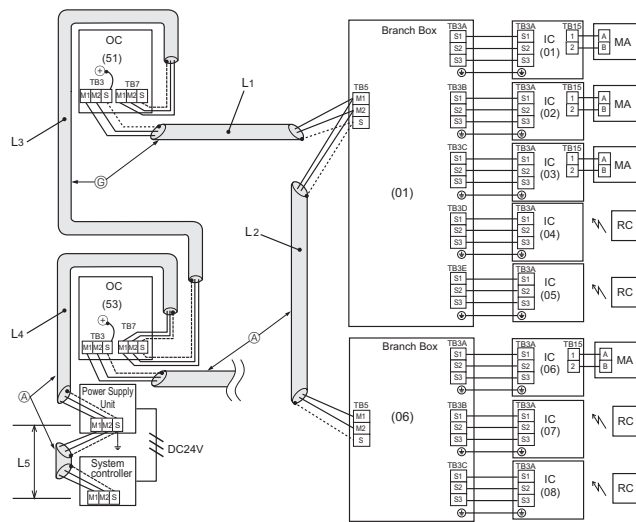


Fig. 6-3

- (A) : Group
- (B) : Group
- (C) : Group
- (D) : Shielded Wire
- (E) : Sub Remote Controller
- (F) : Screw on the electrical component box
- () : Address

<Example of Transmission Cable Wiring: When Using a Branch Box>



- (G) : Shielded wire
- () : Address example

Fig. 6-4

<Permissible Lengths>

- Max length via outdoor units (M-NET cable): $L_1 + L_2 + L_3 + L_4 + L_5 \leq 500$ m (1.25 mm² or more)
- Max transmission cable length (M-NET cable): $L_1 + L_2, L_3, L_3 + L_4, L_5 \leq 200$ m (1.25 mm² or more)

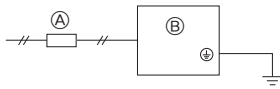
6. Electrical work

6.4. Wiring of main power supply and equipment capacity

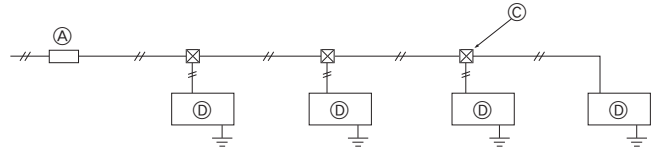
Schematic Drawing of Wiring: When Not Using a Branch Box (Example) (Fig. 6-5)

■ PUMY-P-VKM series

~N 220/230/240 V 50 Hz
~N 220 V 60 Hz



~N 220/230/240 V 50 Hz
~N 220 V 60 Hz



(A) : Switch (Breakers for Wiring and Current Leakage)
(B) : Outdoor Unit
(C) : Pull Box
(D) : Indoor Unit

■ PUMY-P-YKM series

3N~380/400/415 V 50 Hz

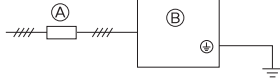


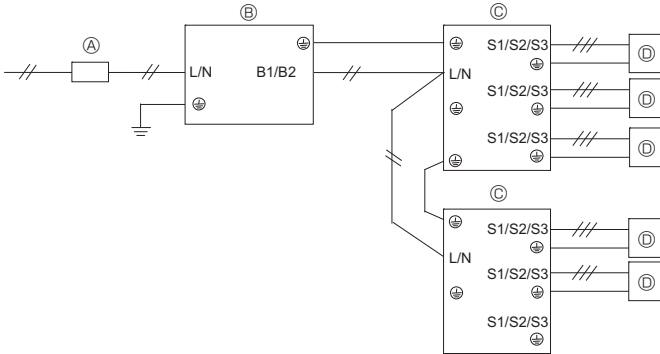
Fig. 6-5

Schematic Drawing of Wiring: When using a Branch Box (Example) (Fig. 6-6)

<When Power Is Supplied from the Outdoor Unit>

■ PUMY-P-VKM series

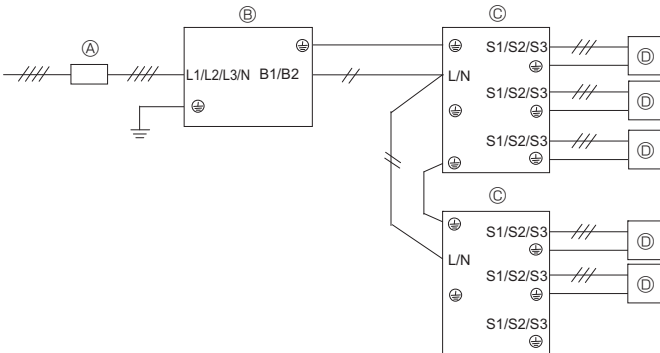
~N 220/230/240 V 50 Hz
~N 220 V 60 Hz



(A) Switch (Breakers for Wiring and Current Leakage)
(B) Outdoor Unit
(C) Branch Box
(D) Indoor Unit

■ PUMY-P-YKM series

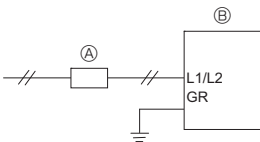
3N~380/400/415 V 50 Hz



<When Power Is Supplied Separately>

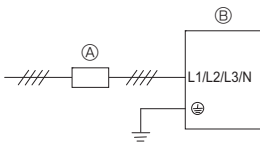
■ PUMY-P-VKM series

~N 220/230/240 V 50 Hz
~N 220 V 60 Hz



■ PUMY-P-YKM series

3N~380/400/415 V 50 Hz



~N 220/230/240 V 50 Hz
~N 230 V 60 Hz

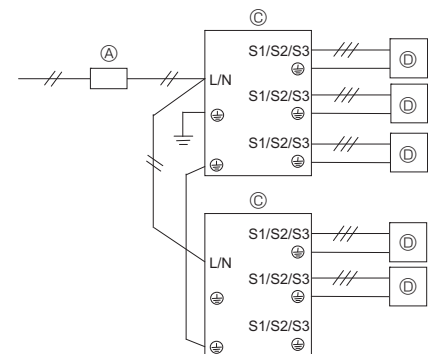


Fig. 6-6

6. Electrical work

Cross-sectional area of Wire for Main Power Supply and On/Off Capacities

Model		Power Supply	Minimum Wire Cross-sectional area (mm ²)			Breaker for Wiring *1	Breaker for Current Leakage
			Main Cable	Branch	Ground		
Outdoor Unit	P112-140V	~N 220/230/240 V 50 Hz ~N 220 V 60 Hz	5.5(6)	–	5.5(6)	32 A	32 A 30 mA 0.1 sec. or less
	P112-140Y	3N~380/400/415 V 50 Hz	1.5	–	1.5	16 A	16 A 30 mA 0.1 sec. or less

*1. A breaker with at least 3.0 mm contact separation in each poles shall be provided. Use non-fuse breaker (NF) or earth leakage breaker (NV).

Total operating current of the indoor unit	Minimum wire thickness (mm ²)			Ground-fault interrupter *1	Local switch (A)		Breaker for wiring (NFB)
	Main Cable	Branch	Ground		Capacity	Fuse	
F0 = 16 A or less *2	1.5	1.5	1.5	20 A current sensitivity *3	16	16	20
F0 = 25 A or less *2	2.5	2.5	2.5	30 A current sensitivity *3	25	25	30
F0 = 32 A or less *2	4.0	4.0	4.0	40 A current sensitivity *3	32	32	40

Apply to IEC61000-3-3 about max. permissive system impedance.

*1 The Ground-fault interrupter should support inverter circuit.

The Ground-fault interrupter should combine using of local switch or wiring breaker.

*2 Please take the larger of F1 or F2 as the value for F0.

F1 = Total operating maximum current of the indoor units × 1.2

F2 = {V1 × (Quantity of Type1)/C} + {V1 × (Quantity of Type2)/C} + {V1 × (Quantity of Type3)/C} + {V1 × (Quantity of Others)/C}

Connect to Branch box (PAC-MK-BC)

Indoor unit	V1	V2
Type 1 SEZ-KD·VA, PCA-RP·KAQ, PLA-ZRP·BA(.UK)	19.8	2.4
Type 2 PEAD-RP·JAQ(L).UK	26.9	
Type 3 MLZ-KA·VA, SLZ-KA, VAQ(L)3	9.9	
Type 4 MSZ-FH·VE, MSZ-SF·VE, MSZ-EF·VE, MSZ-SF·VA	6.8	
Type 5 MFZ-KJ·VE	7.4	
Type 6 Branch box (PAC-MK-BC)	5.1	3.0

Connect to Connection kit (PAC-LV11M)

Indoor unit	V1	V2
Type 1 MSY-EF·VE, MSY-GE·VA, MSY-GH, MSZ-GE·VA, MSZ-SF·VA, MSZ-SF·VE, MSZ-EF·VE, MSZ-FH·VE	6.8	2.4
Type 2 MFZ-KJ·VE	7.4	
Type 3 Connection kit (PAC-LV11M)	3.5	

Indoor unit	V1	V2
Type 1 PMFY-VBM, PLFY-VBM, PEFY-VMS1, PCFY-NKMU, PKFY-VHM, PKFY-VKM	19.8	2.4
Type 2 PLFY-VCM	9.9	
Type 4 PKFY-VBM	3.5	
Type 5 PEFY-VMA	38	1.6
Type 6 PLFY-VLMD, PEFY-VMH, PEFY-VMR, PDFY-VM, PFFY-VLEM	0	0

C : Multiple of tripping current at tripping time 0.01s

Please pick up "C" from the tripping characteristic of the breaker.

<Example of "F2" calculation>

* Condition PEFY-VMS × 4 + PEFY-VMA × 1, C = 8 (refer to right sample chart)

F2 = 18.6 × 4/8 + 38 × 1/8

= 14.05

→ 16 A breaker (Tripping current = 8 × 16 A at 0.01 s)

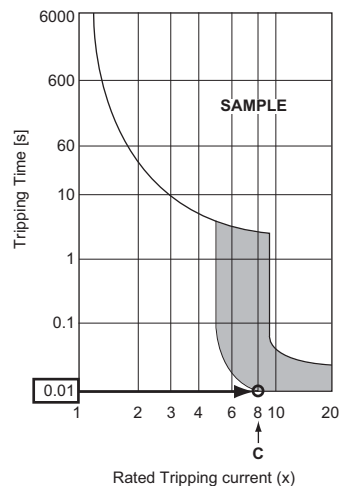
* 3 Current sensitivity is calculated using the following formula.

G1 = V2 × (Quantity of Type1) + V2 × (Quantity of Type2) + V2 × (Quantity of Type3) + V2 × (Quantity of Others) + V3 × (Wire length[km])

G1	Current sensitivity
30 or less	30 mA 0.1 sec or less
100 or less	100 mA 0.1 sec or less

Wire thickness	V3
1.5 mm ²	48
2.5 mm ²	56
4.0 mm ²	66

Sample chart



1. Bear in mind ambient conditions (ambient temperature, direct sunlight, rain water, etc.) when proceeding with the wiring and connections.
2. The wire size is the minimum value for metal conduit wiring. The power cord size should be 1 rank thicker consideration of voltage drops. Make sure the power-supply voltage does not drop more than 10%.
3. Specific wiring requirements should adhere to the wiring regulations of the region.
4. Power supply cords of parts of appliances for outdoor use shall not be lighter than polychloroprene sheathed flexible cord (design 60245 IEC57). For example, use wiring such as YZW.
5. Install an earth longer than other cables.

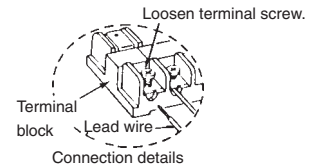
6. Electrical work

⚠ Warning:

- Be sure to use specified wires to connect so that no external force is imparted to terminal connections. If connections are not fixed firmly, it may cause heating or fire.
- Be sure to use the appropriate type of overcurrent protection switch. Note that generated overcurrent may include some amount of direct current.
- Be sure to attach the terminal block covers/panel of the outdoor unit securely.
If it is not attached correctly, it could result in a fire or an electric shock due to dust, water, etc.

⚠ Caution:

- Be careful not to make mis-wiring.
- Firmly tighten the terminal screws to prevent them from loosening.
- After tightening, pull the wires lightly to confirm that they not move.
- If the connecting wire is incorrectly connected to the terminal block, the unit does not operate normally.
- Some installation site may require attachment of an earth leakage breaker. If no earth leakage breaker is installed, it may cause an electric shock.
- Do not use anything other than breaker and fuse with correct capacity. Using fuse and wire or copper wire with too large capacity may cause a malfunction of unit or fire.



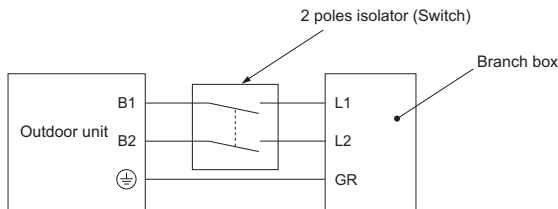
IMPORTANT

Make sure that the current leakage breaker is one compatible with higher harmonics.
Always use a current leakage breaker that is compatible with higher harmonics as this unit is equipped with an inverter.
The use of an inadequate breaker can cause the incorrect operation of inverter.

Never splice the power cable or the indoor-outdoor-branch box connection cable, otherwise it may result in a smoke, a fire or communication failure.

⚠ Warning:

- In case of A-control wiring, there is high voltage potential on the S3 terminal caused by electrical circuit design that has no electrical insulation between power line and communication signal line. Therefore, please turn off the main power supply when servicing. And do not touch the S1, S2, S3 terminals when the power is energized. If isolator should be used between outdoor unit and branch box/indoor unit and branch box, please use 3-pole type or 2-pole type. (Please refer to figure below.)



⚠ Caution:


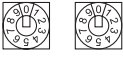
After using the isolator, be sure to turn off and on the main power supply to reset the system. Otherwise, the outdoor unit may not be able to detect the branch box(es) or indoor units.

Be sure to connect the outdoor-branch box/indoor-branch box connecting cables directly to the units (no intermediate connections).
Intermediate connections can lead to communication errors if water enters the cables and causes insufficient insulation to ground or a poor electrical contact at the intermediate connection point.
(If an intermediate connection is necessary, be sure to take measures to prevent water from entering the cables.)

6. Electrical work

6.5. Address setting

Switch address setting

Unit Address	Outdoor	Branch Box				Indoor																																																	
		Address		Connection Setting																																																			
Switch	 SWU2 SWU1	 SW12 SW11	<table border="1"> <tr> <td>Port</td> <td>A</td> <td>B</td> <td>C</td> <td>D</td> <td>E</td> <td>-</td> </tr> <tr> <td>ON</td> <td></td> <td></td> <td></td> <td></td> <td></td> <td></td> </tr> <tr> <td>OFF</td> <td>1</td> <td>2</td> <td>3</td> <td>4</td> <td>5</td> <td>6</td> </tr> </table>		Port	A	B	C	D	E	-	ON							OFF	1	2	3	4	5	6	ON: Indoor connect OFF: No connection	None																												
Port	A	B	C	D	E	-																																																	
ON																																																							
OFF	1	2	3	4	5	6																																																	
range	51 - 100	1 - 50		-		-																																																	
setting	Branch address + 50	<ul style="list-style-type: none"> According to the set address (for example, 01), the addresses for the connected indoor units are set sequentially (for example, 02, 03, 04, and 05). <table border="1"> <tr> <td>SW1</td> <td>1</td> <td>2</td> <td>3</td> <td>4</td> <td>5</td> <td></td> </tr> <tr> <td></td> <td>ON</td> <td>ON</td> <td>ON</td> <td>ON</td> <td>ON</td> <td></td> </tr> <tr> <td>Port</td> <td>A</td> <td>B</td> <td>C</td> <td>D</td> <td>E</td> <td></td> </tr> <tr> <td>Address</td> <td>01</td> <td></td> <td></td> <td></td> <td></td> <td>(SW11, 12)</td> </tr> <tr> <td></td> <td></td> <td>02</td> <td>03</td> <td>04</td> <td>05</td> <td>(sequential numbers)</td> </tr> </table>		SW1	1	2	3	4	5			ON	ON	ON	ON	ON		Port	A	B	C	D	E		Address	01					(SW11, 12)			02	03	04	05	(sequential numbers)	<ul style="list-style-type: none"> Specify whether indoor units are connected to each port (A, B, C, D, and E). <table border="1"> <tr> <td>SW1</td> <td>1</td> <td>2</td> <td>3</td> <td>4</td> <td>5</td> <td>(6)</td> </tr> <tr> <td>Port</td> <td>A</td> <td>B</td> <td>C</td> <td>D</td> <td>E</td> <td>(not use)</td> </tr> </table> Indoor units are connected ON Indoor units are not connected OFF		SW1	1	2	3	4	5	(6)	Port	A	B	C	D	E	(not use)	There are no address settings for the indoor units.
SW1	1	2	3	4	5																																																		
	ON	ON	ON	ON	ON																																																		
Port	A	B	C	D	E																																																		
Address	01					(SW11, 12)																																																	
		02	03	04	05	(sequential numbers)																																																	
SW1	1	2	3	4	5	(6)																																																	
Port	A	B	C	D	E	(not use)																																																	

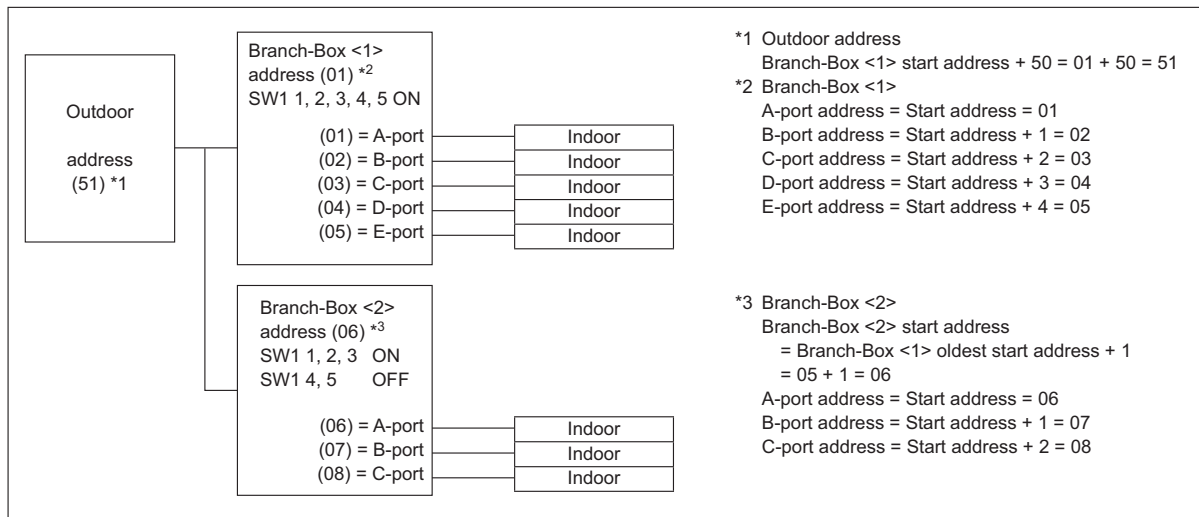
Note: 1. Branch box address

When setting the address, use a number within the range 1–50.

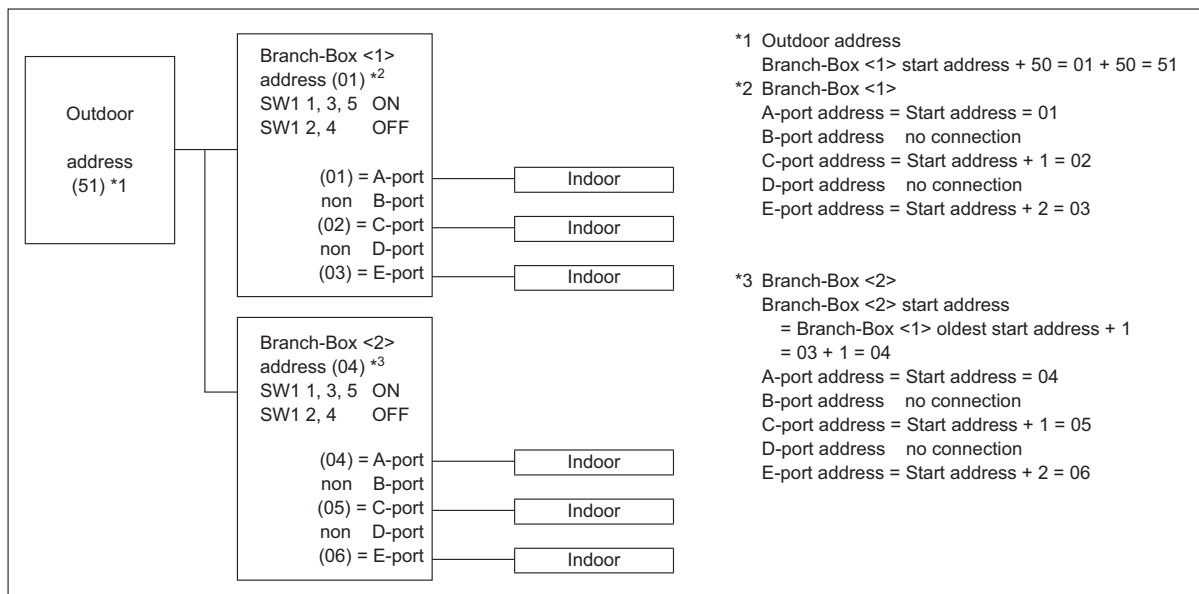
Ex. The set address is (47) and there are 5 indoor units (A, B, C, D, and E).

If A: (47), B: (48), C: (49), D: (50), and E: (51), E is incorrect because it exceeds 50.

Ex1. Outdoor + Branch <1> (Indoor A, B, C, D, E) + Branch <2> (Indoor A, B, C)



Ex2. Outdoor + Branch <1> (Indoor A, C, E) + Branch <2> (Indoor A, C, E)



7. Test run

7.1. Before test run

- ▶ After completing installation and the wiring and piping of the indoor and outdoor units, check for refrigerant leakage, looseness in the power supply or control wiring, wrong polarity, and no disconnection of one phase in the supply.
- ▶ Use a 500-volt M-ohm tester to check that the resistance between the power supply terminals and ground is at least 1 MΩ.
- ▶ Do not carry out this test on the control wiring (low voltage circuit) terminals.

⚠ Warning:

Do not use the air conditioner if the insulation resistance is less than 1 MΩ.

Insulation resistance

After installation or after the power source to the unit has been cut for an extended period, the insulation resistance will drop below 1 MΩ due to refrigerant accumulating in the compressor. This is not a malfunction. Perform the following procedures.

1. Remove the wires from the compressor and measure the insulation resistance of the compressor.
2. If the insulation resistance is below 1 MΩ, the compressor is faulty or the resistance dropped due the accumulation of refrigerant in the compressor.

3. After connecting the wires to the compressor, the compressor will start to warm up after power is supplied. After supplying power for the times indicated below, measure the insulation resistance again.
 - The insulation resistance drops due to accumulation of refrigerant in the compressor. The resistance will rise above 1 MΩ after the compressor is warmed up for four hours.
(The time necessary to warm up the compressor varies according to atmospheric conditions and refrigerant accumulation.)
 - To operate the compressor with refrigerant accumulated in the compressor, the compressor must be warmed up at least 12 hours to prevent breakdown.
4. If the insulation resistance rises above 1 MΩ, the compressor is not faulty.

⚠ Caution:

• The compressor will not operate unless the power supply phase connection is correct.

• Turn on the power at least 12 hours before starting operation.

- Starting operation immediately after turning on the main power switch can result in severe damage to internal parts. Keep the power switch turned on during the operational season.

▶ The followings must be checked as well.

- The outdoor unit is not faulty. LED on the control board of the outdoor unit flash when the outdoor unit is faulty.
- Both the gas and liquid stop valves are completely open.

7.2. Test run

7.2.1. Using remote controller

Refer to the indoor unit installation manual.

- Be sure to perform the test run for each indoor unit. Make sure each indoor unit operates properly following the installation manual attached to the unit.
- If you perform the test run for all indoor units at once, you cannot detect any erroneous connection, if any, of the refrigerant pipes and the connecting wires.
- * The compressor operation is not available for 3 minutes at least after the power is supplied.
- The compressor can emit noise just after turn on the power supply or in case of low outside air temperature.

About the restart protective mechanism

Once the compressor stops, the restart preventive device operates so the compressor will not operate for 3 minutes to protect the air conditioner.

7.2.2. Using SW3 in outdoor unit

Note:

In case of the test run from outdoor unit, all indoor units operate. Therefore, you can not detect any erroneous connection of refrigerant pipes and the connecting wires. If it aims at detection of any erroneous connection, be sure to carry out the test run from remote controller with reference to "7.2.1. Using remote controller."

SW3-1	ON	Cooling operation
SW3-2	OFF	
SW3-1	ON	Heating operation
SW3-2	ON	

* After performing the test run, set SW3-1 to OFF.

• A few seconds after the compressor starts, a clanging noise may be heard from the inside of the outdoor unit. The noise is coming from the check valve due to the small difference in pressure in the pipes. The unit is not faulty.

The test run operation mode cannot be changed by DIP switch SW3-2 during the test run. (To change the test run operation mode during the test run, stop the test run by DIP switch SW3-1. After changing the test run operation mode, resume the test run by switch SW3-1.)

7.3. Refrigerant collecting (Pump down)

Perform the following procedures to collect the refrigerant when moving the indoor unit or the outdoor unit.

- ① Turn off the circuit breaker.
- ② Connect the low pressure side of the gauge manifold to the service port of the gas side stop valve.
- ③ Close the liquid stop valve.
- ④ Supply power (circuit breaker).
 - * Start-up of the indoor-outdoor communication takes about 3 minutes after the power (circuit breaker) is turned on. Start the pump-down operation 3 to 4 minutes after the power (circuit breaker) is turned ON.
- ⑤ Perform the test run for cooling operation (SW3-1: ON and SW3-2: OFF). The compressor (outdoor unit) and ventilators (indoor and outdoor units) start operating and test run for cooling operation begins. After the cooling operation has been carried out for approximately five minutes, set the outdoor service switch SW2-4 (pump down switch) from OFF to ON.
 - * Do not continue to operate for a long time with the switch SW2-4 set to ON. Make sure to switch it to OFF after pump down is completed.
 - * Only set the SW3-1 and SW3-2 to ON if the unit is stopped. However, even if the unit is stopped and the SW3-1 and SW3-2 are set to ON less than 3 minutes after the compressor stops, the refrigerant collecting operation can-not be performed. Wait until compressor has been stopped for 3 minutes and then set the SW3-1 and SW3-2 to ON again.

- ⑥ Fully close the gas stop valve when the pressure reading on the gauge drops 0.05 - 0.00 MPa (approximately 0.5 - 0.0 kgf/cm²)
- ⑦ Stop the air conditioner operation (SW3-1: OFF and SW3-2: OFF). Set the outdoor service switch SW2-4 from ON to OFF.
- ⑧ Turn off the power supply (circuit breaker).
 - * If too much refrigerant has been added to the air conditioner system, the pressure may not drop to 0.5 kgf/cm². If this occurs, use a refrigerant collecting device to collect all of the refrigerant in the system, and then recharge the system with the correct amount of refrigerant after the indoor and outdoor units have been relocated.

⚠ Warning:

When pumping down the refrigerant, stop the compressor before disconnecting the refrigerant pipes. The compressor may burst and cause injury if any foreign substance, such as air, enters the system.

Содержание

1. Меры предосторожности.....	189	5. Дренажные трубы.....	198
2. Место монтажа	191	6. Электрические работы	198
3. Установка наружного прибора.....	193	7. Выполнение испытания.....	205
4. Прокладка труб хладагента.....	193		

⚠ Осторожно:

• Не выпускайте R410A в атмосферу:

- R410A является фторированным парниковым газом, использование которого ограничивается Киотским протоколом; потенциал глобального потепления (GWP) данного газа равен 1975.

Поставляемые приспособления

Кроме данного руководства в комплект поставки наружного прибора входят следующие дополнительные принадлежности. Они также используются для заземления концевиков S, расположенных на блоках концевиков передачи ТВ3, ТВ7. См. более подробную информацию на "6. Электрические работы".

<PUMY-P112-140VKM1>

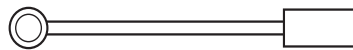


Провод заземления (x 2)

<PUMY-P112-140VKM1>



Провод заземления с ферритовым сердечником для ТВ3



Провод заземления без ферритового сердечника для ТВ7

1. Меры предосторожности

- ▶ До установки прибора убедитесь, что Вы прочли все "Меры предосторожности".
- ▶ Пожалуйста, проконсультируйтесь с органами электроснабжения до подключения системы.
- ▶ Оборудование соответствует IEC/EN 61000-3-12
- ▶ Изделия серии PUMY-P-VKM рассчитаны на использование в условиях жилых домов, коммерческих организаций, в легких производственных условиях.
- ▶ Изделия серии PUMY-P-VKM относятся к классу профессионального оборудования.

⚠ Предупреждение:

Описывает меры предосторожности, необходимые для предотвращения получения травмы или гибели пользователя.

⚠ Осторожно:

Описывает меры предосторожности, необходимые для предотвращения повреждения прибора.

⚠ Предупреждение:

- Прибор не должен устанавливаться пользователем. Для выполнения установки прибора обратитесь к дилеру или сертифицированному техническому специалисту. Неправильная установка аппарата может повлечь за собой протечку воды, удар электрическим током или возникновение пожара.
- Данное устройство предназначено для использования специалистами или обученным персоналом в магазинах, на предприятиях легкой промышленности и фермах или для коммерческого применения непрофессионалами.
- При установочных работах следуйте инструкциям в Руководстве по установке. Используйте инструменты и детали трубопроводов, специально предназначенные для использования с хладагентом марки R410A. Хладагент R410A в HFC-системе находится под давлением в 1,6 раза большим, чем давление, создаваемое при использовании обычных хладагентов. Если компоненты трубопроводов не предназначены для использования с хладагентом R410A, и аппарат установлен неправильно, трубы могут лопнуть и причинить повреждение или нанести травму. Кроме того, это может привести к утечке воды, поражению электрическим током или возникновению пожара.
- Прибор должен быть установлен согласно инструкциям, чтобы свести к минимуму риск повреждения от землетрясений, тайфунов или сильных порывов ветра. Неправильно установленный прибор может упасть и причинить повреждение или нанести травму.
- Прибор должен быть установлен на конструкции, способной выдержать его вес. Прибор, установленный на неустойчивой конструкции, может упасть и причинить повреждение или нанести травму.
- Если кондиционер установлен в небольшом помещении, необходимо принять меры для предотвращения концентрации хладагента свыше безопасных пределов в случае утечки хладагента. Проконсультируйтесь у дилера относительно соответствующих мер, предотвращающих превышение допустимой концентрации. В случае утечки хладагента и превышении допустимой его концентрации из-за нехватки кислорода в помещении может произойти несчастный случай.
- Если во время работы прибора произошла утечка хладагента, проветрите помещение. При контакте хладагента с пламенем образуются ядовитые газы.
- Все электроработы должны выполняться квалифицированным техническим специалистом в соответствии с местными правилами и инструкциями, приведенными в данном Руководстве. Приборы должны быть подключены к специально выделенным линиям электропитания с соответствующим напряжением через автоматические выключатели. Использование линий электропитания недостаточной мощности или неправильно проведенных линий может привести к поражению электрическим током или возникновению пожара.

После окончания установочных работ проинструктируйте пользователя относительно правил эксплуатации и обслуживания аппарата, а также ознакомьте с разделом "Меры предосторожности" в соответствии с информацией, приведенной в Руководстве по использованию аппарата, и выполните тестовый прогон аппарата для того, чтобы убедиться, что он работает нормально. Обязательно передайте пользователю на хранение экземпляры Руководства по установке и Руководства по эксплуатации. Эти Руководства должны быть переданы и последующим пользователям данного прибора.

⚡ : Указывает, что данная часть должна быть заземлена.

⚠ Предупреждение:

Внимательно прочтите текст на этикетках главного прибора.

- Для соединения медных или медносплавных бесшовных труб, предназначенных для хладагента, используйте медный фосфор S1220. Если трубы соединены неправильно, прибор не будет должным образом заземлен, что может привести к поражению электрическим током.
- Используйте для проводки указанные кабели. Убедитесь, что кабели надежно соединены, а оконечные соединения не натянуты. Никогда не соединяйте кабели внахлест (если иное не указано в прилагаемой документации). Несоблюдение этих инструкций может привести к перегреву или возгоранию.
- Крышка наружного прибора должна быть надежно присоединена к прибору. Если крышка установлена неправильно, в прибор могут попасть пыль и влага, что может привести к поражению электрическим током или возникновению пожара.
- При монтаже или перемещении, а также при обслуживании кондиционера используйте только указанный хладагент (R410A) для заполнения трубопроводов хладагента. Не смешивайте его ни с каким другим хладагентом и не допускайте наличия воздуха в трубопроводах. Наличие воздуха в трубопроводах может вызывать скачки давления, в результате которых может произойти взрыв или другие повреждения. Использование любого хладагента, отличного от указанного для этой системы, вызовет механическое повреждение, сбой в работе системы, или выход устройства из строя. В наихудшем случае, это может послужить серьезной преградой к обеспечению безопасной работы этого изделия.
- Используйте только те дополнительные принадлежности, на которые имеется разрешение от Mitsubishi Electric; для их установки обратитесь к дилеру или уполномоченному техническому специалисту. Неправильная установка дополнительных принадлежностей может привести к протечке воды, поражению электрическим током или возникновению пожара.
- Не изменяйте конструкцию прибора. При необходимости ремонта обратитесь к дилеру. Если изменения или ремонт выполнены неправильно, это может привести к протечке воды, удару электрическим током или возникновению пожара.
- Пользователю не следует пытаться ремонтировать прибор или перемещать его на другое место. Если прибор установлен неправильно, это может привести к утечке воды, удару электрическим током или возникновению пожара. Если необходимо отремонтировать или переместить кондиционер, обратитесь к дилеру или уполномоченному техническому специалисту.
- По окончании установки убедитесь в отсутствии утечки хладагента. Если хладагент проникает в помещение и произойдет контакт его с пламенем обогревателя или переносного пищевого нагревателя, образуются ядовитых газов.

1. Меры предосторожности

1.1. Перед установкой

⚠ Осторожно:

- Не используйте прибор в нестандартной окружающей среде. Установка кондиционера в местах, подверженных воздействию пара, летучих масел (включая машинное масло) или сернистых испарений, местах с повышенной концентрацией соли (таких, как берег моря), или местах, где прибор будет засыпан снегом, может привести к значительному снижению эффективности работы прибора или повреждению его внутренних частей.
- Не устанавливайте прибор в местах, где возможна утечка, возникновение, приток или накопление горючих газов. Если горючий газ будет накапливаться вокруг прибора, это может привести к возникновению пожара или взрыву.

- При использовании режима обогрева на наружном приборе образуется конденсат. Удостоверьтесь, что обеспечен хороший дренаж в районе наружного прибора, если этот конденсат может принести какой-либо вред.
- При монтаже прибора в больнице или центре связи примите во внимание шумовое и электронное воздействие. Работа таких устройств, как инверторы, бытовые приборы, высокочастотное медицинское оборудование и оборудование радиосвязи может вызвать сбои в работе кондиционера или его поломку. Кондиционер также может повлиять на работу медицинского оборудования и медицинское обслуживание, работу коммуникационного оборудования, вызывая искажение изображения на дисплее.

1.2. Перед установкой (перемещением)

⚠ Осторожно:

- Будьте чрезвычайно осторожны при транспортировке приборов. Прибор должны переносить два или более человека, поскольку он весит не менее 20 кг. Не поднимайте прибор за упаковочные ленты. При распаковке прибора или его передвижении используйте защитные перчатки, поскольку можно повредить руки ребристыми деталями или другими частями прибора.
- Утилизируйте упаковочные материалы надлежащим образом. Упаковочные материалы, такие, как гвозди и другие металлические или деревянные части, могут поранить или причинить другие травмы.

- Необходимо периодически производить проверку основного блока наружного прибора и установленных на нем компонентов на разболтанность, наличие трещин или других повреждений. Если такие дефекты оставить неисправленными, прибор может упасть и причинить повреждение или нанести травму.
- Не мойте кондиционер водой. Это может привести к поражению электрическим током.
- Затягивайте все хомуты на муфтах в соответствии со спецификациями, используя ключ с регулируемым усилием. Слишком сильно затянутый хомут муфты по прошествии некоторого времени может сломаться, что вызовет утечку хладагента.

1.3. Перед электрическими работами

⚠ Осторожно:

- Обязательно установите автоматические выключатели. В противном случае возможно поражение электрическим током.
- Используйте для электропроводки стандартные кабели, рассчитанные на соответствующую мощность. В противном случае может произойти короткое замыкание, перегрев или пожар.
- При монтаже кабелей питания не прикладывайте растягивающих усилий. Если соединения ненадежны, кабель может отсоединиться или порваться, что может привести к перегреву или возникновению пожара.

- Обязательно заземлите прибор. Не присоединяйте провод заземления к газовым или водопроводным трубам, громоотводам или телефонным линиям заземления. Отсутствие надлежащего заземления может привести к поражению электрическим током.
- Используйте автоматические выключатели (прерыватель утечки тока на землю, разъединитель (плавкий предохранитель +V) и предохранитель корпуса) с указанным предельным током. Если предельный ток автоматического выключателя больше, чем необходимо, может произойти поломка или пожар.

1.4. Перед тестовым прогоном

⚠ Осторожно:

- Включайте главный выключатель питания не позднее, чем за 12 часов до начала эксплуатации. Запуск прибора сразу после включения выключателя питания может серьезно повредить внутренние части. Держите главный выключатель питания включенным в течение всего времени работы.
- Перед началом эксплуатации проверьте, что все пульты, щитки и другие защитные части правильно установлены. Вращающиеся, нагретые или находящиеся под напряжением части могут нанести травмы.
- Не прикасайтесь ни к каким выключателям влажными руками. Это может привести к поражению электрическим током.

- Не прикасайтесь к трубам с хладагентом голыми руками во время работы прибора. Трубы с хладагентом при работе прибора нагреваются или охлаждаются в зависимости от состояния циркулирующего хладагента. Прикосновение к трубам может привести к ожогу или обморожению.
- После остановки прибора обязательно подождите по крайней мере пять минут перед выключением главного выключателя питания. В противном случае возможна протечка воды или поломка прибора.

1.5. Использование кондиционеров с хладагентом R410A

⚠ Осторожно:

- Для соединения медных или медносплавных бесшовных труб, предназначенных для хладагента, используйте медный фосфор C1220. Удостоверьтесь, что внутри трубы чисты и не содержат никаких вредных загрязнителей, таких как соединения серы, окислители, мелкий мусор или пыль. Используйте трубы указанной толщины. (См. стр. 193) При использовании имеющихся труб, которые применялись для хладагента R22, обратите внимание на следующее.
 - Замените хомуты на муфтах и перезатяните соединенные секции.
 - Не используйте тонкие трубы. (См. стр. 193)
- Храните трубы, предназначенные для установки в закрытом помещении, запечатанными, а также оставьте запечатанными их концы; распаковывайте их непосредственно перед пайкой. (Оставьте коленчатые трубы и т.д. в упаковке.) Если пыль, мелкий мусор или влага попадут в трубопроводы хладагента, может произойти порча масла или поломка компрессора.
- Используйте в качестве масла охлаждения для покрытия соединительных муфт масло сложного или простого эфира или алкилбензол (в небольшом количестве). Если в масле охлаждения присутствует минеральное масло, может произойти порча масла.
- Используйте только хладагент R410A. В случае использования другого хладагента хлор может испортить масло.

- Используйте нижеперечисленные инструменты, специально предназначенные для работы с хладагентом R410A. Для работы с хладагентом R410A необходимы следующие инструменты. При возникновении каких-либо вопросов обратитесь к ближайшему дилеру.

Инструменты (для R410A)	
Набор шаблонов	Инструмент для затяжки муфт
Шланг зарядки	Калибр регулирования размера
Детектор утечки газа	Адаптер вакуумного насоса
Ключ с регулируемым усилием	Электронный измеритель зарядки хладагента

- Используйте только специальные инструменты. Попадание пыли, мелкого мусора или влаги в трубопроводы хладагента может привести к порче масла охлаждения.
- Не используйте для зарядки баллон. Использование баллона для зарядки приведет к изменению состава хладагента и снижению эффективности работы прибора.

2. Место монтажа

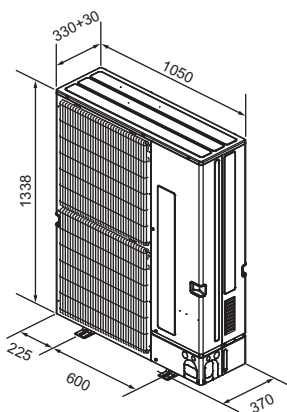


Fig. 2-1

Таблица 2

Количество подключаемых внутренних блоков	
PUMY-P112	1-10
PUMY-P125	1-12
PUMY-P140	1-12*

Число внутренних приборов, подсоединяемых с помощью ответвительной коробки	
PUMY-P112	2-8
PUMY-P125	2-8
PUMY-P140	2-8

Таблица 3 Технические характеристики блока PWFY

Модель		PWFY-P100VM-E-AU
Темп. диапазон в режиме обогрева	Температура наружного воздуха	от -15 до 21 °C (сухой термометр), от -15 до 15 °C (влажный термометр)
	Температура воды на входе	от 10 до 45 °C
Темп. диапазон в режиме охлаждения	Температура наружного воздуха	-
	Температура воды на входе	-

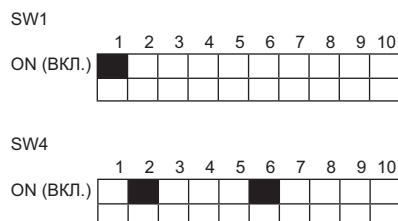


Fig. 2-2

2.1. Трубы хладагента

См. Fig. 4-1.

2.2. Выбор места установки наружного прибора

- Не устанавливайте прибор в местах, подверженных воздействию прямых солнечных лучей или других источников нагрева.
- Выберите такое размещение, чтобы шум при работе прибора не беспокоил окружающих.
- Выберите место, удобное для проведения кабелей и трубопроводов к источнику питания и внутреннему прибору.
- Не устанавливайте прибор в местах, где возможна утечка, возникновение, приток или накопление горючих газов.
- Примите во внимание, что во время работы прибора из него может капать вода.
- Выберите место, способное выдержать вес и вибрацию прибора.
- Не устанавливайте прибор в местах, где он может быть засыпан снегом. В тех регионах, где возможны сильные снегопады, требуется принять специальные меры предосторожности (например, разместить прибор повыше или смонтировать на воздухозаборнике козырек) с целью предотвращения закупорки воздухозаборника снегом или прямым воздействием ветра. В противном случае возможно уменьшение потока воздуха, что может привести к сбою.
- Не устанавливайте прибор в местах, подверженных влиянию летучих масел, пара или сернистых испарений.
- Для транспортировки наружного прибора используйте четыре ручки, расположенные на приборе слева, справа, спереди и сзади. При переносе прибора за нижнюю часть можно придавить руки или пальцы.

2.3. Контурные габариты (Наружный прибор) (Fig. 2-1)

Ограничения по монтажу внутреннего прибора

Вам необходимо обратить внимание на то, что к данному наружному прибору можно подключить внутренние приборы следующих моделей.

- Можно подключать внутренние приборы с номерами моделей 15-140 (PUMY-P112:15-125).
- С помощью ответвительной коробки можно подсоединять модели внутренних приборов с номерами 15-100. В таблице 1 ниже приводятся возможные комбинации помещений и внутренних приборов.

Проверка

Номинальную мощность необходимо определять по таблице ниже. Количество приборов ограничено, как показано ниже в таблице 2. На следующем этапе убедитесь, что выбранная общая номинальная мощность будет находиться в пределах 50% - 130% мощности наружного прибора.

- PUMY-P112 6,3 - 16,2 кВт.
- PUMY-P125 7,1 - 18,2 кВт.
- PUMY-P140 8,0 - 20,2 кВт.

Таблица 1-1 (серия P*FY (внутренний прибор для применения в здании))

Тип внутреннего прибора	P15	P20	P25	P32	P40	P50	P63	P71	P80	P100	P125	P140
Номинальная мощность (охлаждение) (кВт)	1,7	2,2	2,8	3,6	4,5	5,6	7,1	8,0	9,0	11,2	14,0	16,0

Таблица 1-2 (серия M*Z)

Тип внутреннего прибора	15	20	22	25	35	42	50	60	71	80
Номинальная мощность (охлаждение) (кВт)	1,5	2,0	2,2	2,5	3,5	4,2	5,0	6,0	7,1	8,0

Комбинации, в которых общая мощность внутренних приборов превышает мощность наружного прибора, понизят производительность каждого внутреннего прибора по охлаждению до уровня ниже его номинальной производительности по охлаждению. Следовательно, по мере возможности, комбинируйте внутренние приборы с наружным прибором, не выходя за пределы мощности наружного прибора.

- * Только в том случае, если все внутренние приборы являются моделями на 1,7 кВт, к 1 наружному прибору можно подключить 12 внутренних приборов.

2.4. Подключение блока PWFY

При использовании блока PWFY в качестве внутреннего блока системы кондиционирования необходимо учитывать представленные далее особенности, поскольку блок PWFY отличается от других внутренних блоков.

2.4.1. Ограничения по подключению

- К системе можно подключить только 1 блок PWFY-P100VM-E-AU. Блоки PWFY-P200VM-E-AU и PWFY-P100VM-E-BU не могут быть подключены.

- Блок PWFY не должен быть единственным блоком, подключенным к наружному блоку. Наружный блок следует подбирать таким образом, чтобы суммарная номинальная мощность внутренних блоков, за исключением блока PWFY, составляла 50–100% мощности наружного блока.

Пределы суммарной номинальной мощности внутренних блоков при подключении к системе блока PWFY

- PUMY-P112 (1 блок PWFY + блоки других моделей [6,3–12,5 кВт.])
- PUMY-P125 (1 блок PWFY + блоки других моделей [7,1–14,0 кВт.])
- PUMY-P140 (1 блок PWFY + блоки других моделей [8,0–15,5 кВт.])

2.4.2. Технические характеристики внутреннего блока

При подключении блока PWFY к блоку PUMY технические характеристики изменяются следующим образом.

- Блок PWFY обеспечивает функционирование только в режиме обогрева. Блок PWFY не может работать в режиме охлаждения. В то же время, внутренние блоки других моделей данной системы могут функционировать в режиме охлаждения.
- Внутренние блоки других моделей не могут функционировать одновременно с блоком PWFY.
- Работа блока PWFY имеет приоритет. При нахождении блока PWFY в режиме работы остальные внутренние блоки прекращают работу.
- Значение температуры, установленное на пульте дистанционного управления, является заданным значением выходной температуры воды.

2.4.3. Настройки переключателя (Fig. 2-2)

При подключении блока PWFY к блоку PUMY установите DIP-переключатели SW1-1, SW4-2 и SW4-6 блока PWFY в положение ВКЛ.

2.4.4. Выполнение испытания

При выполнении пробного прогона с использованием переключателей наружного блока блок PWFY не будет работать. Пробный прогон следует выполнить с использованием переключателей блока PWFY или пульта дистанционного управления. Сведения о выполнении пробного запуска см. в справочнике или руководстве по обслуживанию блока PWFY.

2.4.5. Сбор хладагента (откачка)

На этапе ① процедуры откачки пользователю рекомендовано "включить все внутренние приборы на работу в режиме охлаждения". Тем не менее, блок PWFY не может работать в режиме охлаждения. В связи с этим следует включить в режиме охлаждения все внутренние блоки, за исключением блока PWFY.

2. Место монтажа

2.5. Вентиляция и сервисное пространство

2.5.1. При установке одиночного наружного прибора

Минимальные размеры включают, за исключением указанных Макс., значит Максимальных размеров, следующие размеры.

См. соответствующие значения для каждого случая.

- ① Окружающие предметы - только сзади (Fig. 2-3)
- ② Окружающие предметы - только сзади и сверху (Fig. 2-4)
 - * Не используйте дополнительные воздуховоды для восходящего потока воздуха.
- ③ Окружающие предметы - только сзади и с боковых сторон (Fig. 2-5)
- ④ Окружающие предметы - только спереди (Fig. 2-6)
 - * При использовании дополнительной направляющей воздуховыпускного отверстия, зазор составляет 500 мм или больше.
- ⑤ Окружающие предметы - только спереди и сзади (Fig. 2-7)
 - * При использовании дополнительной направляющей воздуховыпускного отверстия, зазор составляет 500 мм или больше.
- ⑥ Окружающие предметы - только сзади, с боковых сторон и сверху (Fig. 2-8)
 - * Не используйте дополнительные воздуховоды для восходящего потока воздуха.

2.5.2. При установке нескольких наружных приборов

Оставьте пространство в 25 мм или больше между приборами.

- ① Окружающие предметы - только сзади (Fig. 2-9)
- ② Окружающие предметы - только сзади и сверху (Fig. 2-10)
 - * Не следует устанавливать рядом более трех приборов. Приборы должны находиться на указанном расстоянии друг от друга.
- ③ Окружающие предметы - только спереди (Fig. 2-11)
 - * При использовании дополнительной направляющей воздуховыпускного отверстия, зазор составляет 1000 мм или больше.
- ④ Окружающие предметы - только спереди и сзади (Fig. 2-12)
 - * При использовании дополнительной направляющей воздуховыпускного отверстия, зазор составляет 1000 мм или больше.
- ⑤ Расположение приборов в один горизонтальный ряд (Fig. 2-13)
 - * При использовании дополнительного воздуховода выходного отверстия для восходящего потока воздуха, расстояние должно быть 1000 мм или больше.
- ⑥ Расположение приборов в несколько горизонтальных рядов (Fig. 2-14)
 - * При использовании дополнительного воздуховода выходного отверстия для восходящего потока воздуха расстояние должно быть 1500 мм или более.
- ⑦ Расположение приборов вертикальными рядами (Fig. 2-15)
 - * Можно вертикально расположить до двух приборов.
 - * Рядом должно быть установлено не более двух вертикальных рядов. Приборы должны находиться на указанном расстоянии друг от друга.

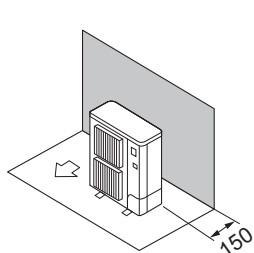


Fig. 2-3

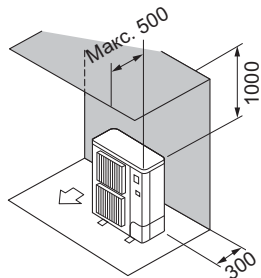


Fig. 2-4

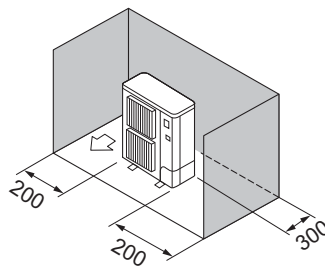


Fig. 2-5

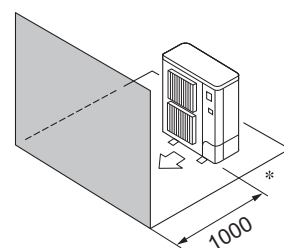


Fig. 2-6

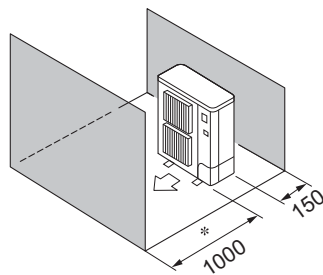


Fig. 2-7

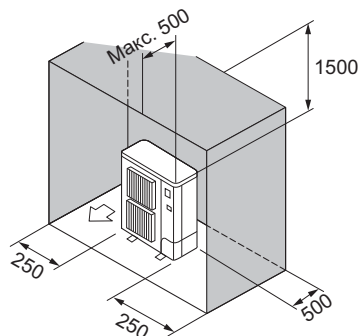


Fig. 2-8

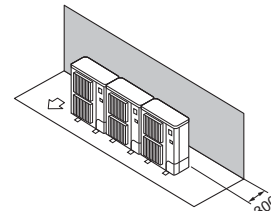


Fig. 2-9

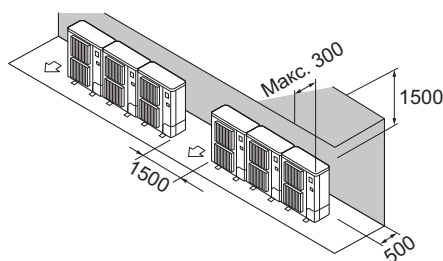


Fig. 2-10

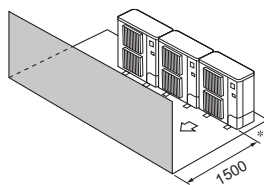


Fig. 2-11

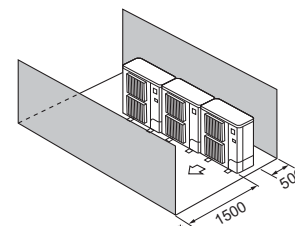


Fig. 2-12

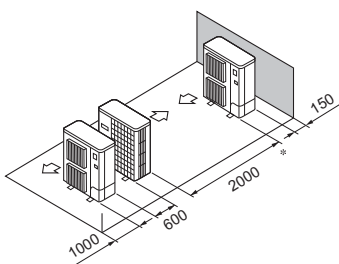


Fig. 2-13

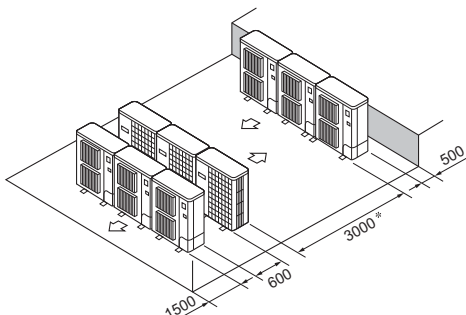


Fig. 2-14

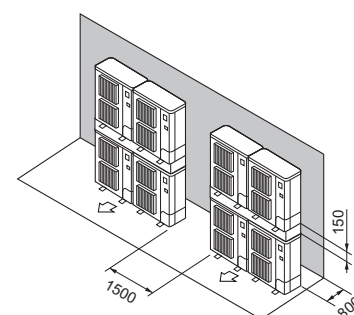


Fig. 2-15

2. Место монтажа

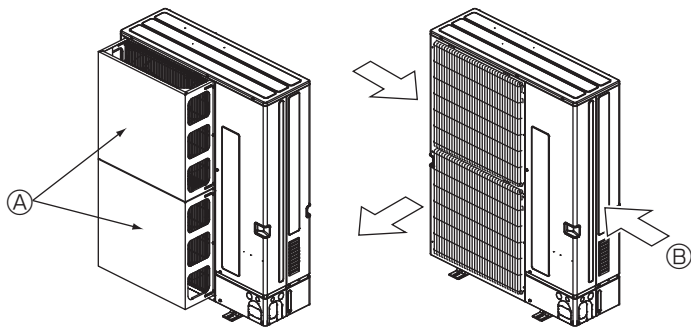


Fig. 2-16

Fig. 2-17

2.5.3. Установка в местах, где возможен сильный ветер

При монтаже наружного прибора на крыше или другом месте, не защищенном от ветра, расположите вентиляционную решетку прибора так, чтобы она не подвергалась воздействию сильного ветра. Сильный ветер, дующий прямо в выходное отверстие, может препятствовать нормальному потоку воздуха, что может привести к сбою. Ниже приводятся 2 примера мер предосторожности против сильных ветров.

① Установите дополнительный воздуховод выходного отверстия и основной воздуховод, если прибор установлен в месте, где сильный ветер от тайфуна и др. может попадать непосредственно в вентиляционную решетку. (Fig. 2-16)

Ⓐ Воздуховод выходного отверстия

② По возможности разместите прибор так, чтобы воздух из выходного отверстия выдувался в направлении, перпендикулярном к сезонному направлению ветра. (Fig. 2-17)

Ⓑ Направление ветра

3. Установка наружного прибора

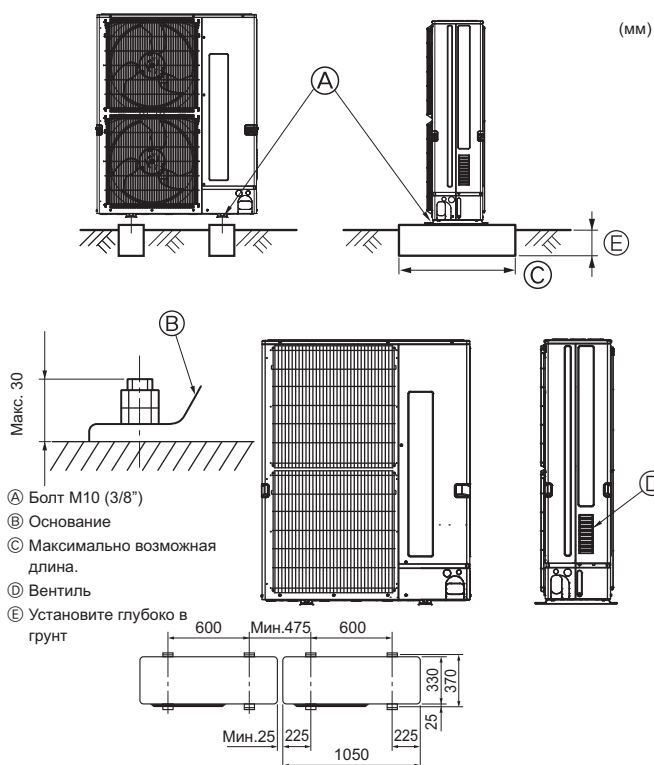


Fig. 3-1

• Обязательно устанавливайте прибор на твердой ровной поверхности для предотвращения его дребезжания во время эксплуатации. (Fig. 3-1)

<Требования к фундаменту>

Фундаментный болт	M10 (3/8")
Толщина бетона	120 мм
Длина болта	70 мм
Несущая способность	320 кг

• Убедитесь в том, что фундаментный болт в пределах 30 мм от нижней поверхности основания.
• Надежно прикрепите основание прибора с помощью четырех фундаментных болтов M10 к твердой поверхности.

Установка наружного прибора

• Не блокируйте вентилятор. Если вентилятор заблокирован, это будет препятствовать работе, что может привести к поломке.
• Кроме предусмотренных изначально, используйте установочные отверстия в задней стенке прибора для подсоединения проводов и т.д., если возникнет такая необходимость. Для установки на место используйте шурупы-саморезы (ø5 × 15 мм или меньше).

⚠ Предупреждение:

• Прибор должен быть установлен на конструкции, способной выдержать его вес. Прибор, установленный на неустойчивой конструкции, может упасть и причинить повреждение или нанести травму.
• Прибор должен быть установлен согласно инструкциям, чтобы свести к минимуму риск повреждения от землетрясений, тайфунов или сильных порывов ветра. Неправильно установленный прибор может упасть и причинить повреждение или нанести травму.

4. Прокладка труб хладагента

4.1. Меры предосторожности для устройств, в которых используется хладагент марки R410A

• См. стр. 190, на которой приведены не перечисленные ниже меры предосторожности относительно использования кондиционеров с хладагентом R410A.
• Используйте в качестве масла охлаждения для покрытия соединительных муфт масло сложного или простого эфира или алкилбензол (небольшое количество).
• Для соединения медных или медносплавных бесшовных труб, предназначенных для хладагента, используйте медный фосфор C1220. Используйте трубы для хладагента соответствующей толщины для каждого случая; значения толщины приведены в таблице ниже. Удостоверьтесь, что внутри трубы чисты и не содержат никаких вредных загрязнителей, таких, как соединения серы, окислители, мелкий мусор или пыль.

⚠ Предупреждение:

При монтаже или перемещении, а также при обслуживании кондиционера используйте только указанный хладагент (R410A) для заполнения трубопроводов хладагента. Не смешивайте его ни с каким другим хладагентом и не допускайте наличия воздуха в трубопроводах. Наличие воздуха в трубопроводах может вызывать скачки давления, в результате которых может произойти взрыв или другие повреждения. Использование любого хладагента, отличного от указанного для этой системы, вызовет механическое повреждение, сбой в работе системы, или выход устройства из строя. В наихудшем случае, это может послужить серьезной преградой к обеспечению безопасной работы этого изделия.

ø 6,35, ø 9,52, ø 12,7	Толщина 0,8 мм
ø 15,88	Толщина 1,0 мм

• Не используйте трубы более тонкие, чем указано выше.
• Значения толщины, перечисленные в приведенной выше таблице, основаны на японских стандартах. Используйте трубы с максимальным рабочим давлением 4,15 МПа [601 фунт/кв. дюйм изб.] или более в соответствии с местными стандартами.

4. Прокладка труб хладагента

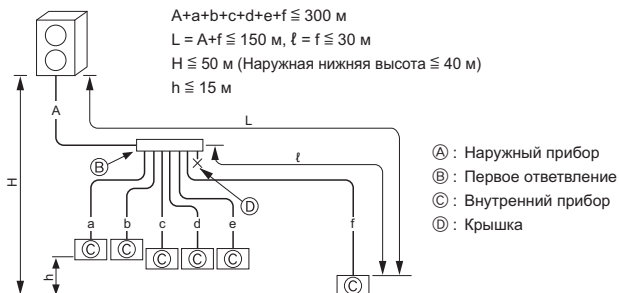
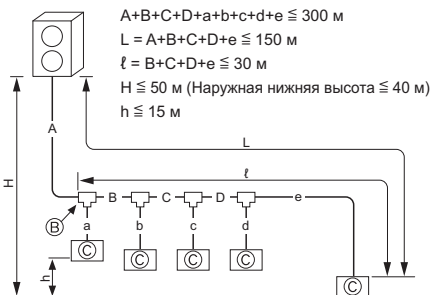


Fig. 4-1

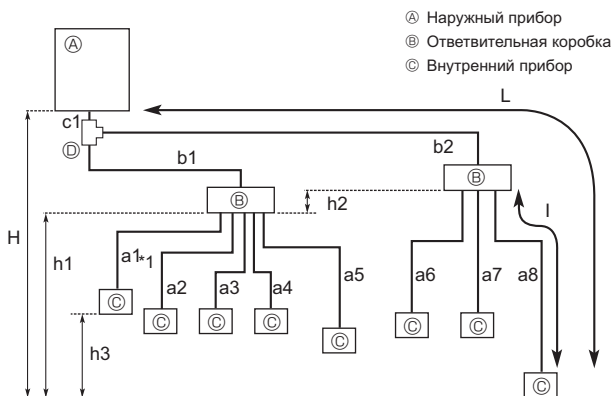


Fig. 4-2

Допустимая длина (в одну сторону)	Общая длина трубопровода	$c1 + b1 + b2 + a1 + a2 + a3 + a4 + a5 + a6 + a7 + a8 \leq 150$ м
	Длина самого дальнего трубопровода (L)	$c1 + b2 + a8 \leq 80$ м ($b2 \leq 55$ м, $a8 \leq 25$ м)
	Длина трубопровода между наружным прибором и ответвительными коробками	$c1 + b1 + b2 \leq 55$ м
	Самая дальняя коробка от первого соединения (b2)	$b2 \leq 30$ м
	Длина самого дальнего трубопровода после ответвительной коробки (l)	$a8 \leq 25$ м
Допустимая разность высот (в одну сторону)	Общая длина трубопровода между ответвительными коробками и внутренними приборами	$a1 + a2 + a3 + a4 + a5 + a6 + a7 + a8 \leq 95$ м
	На участке внутренний прибор/наружный прибор (H)*1	$H \leq 50$ м (Если наружный прибор установлен выше внутреннего прибора) $H \leq 40$ м (Если наружный прибор установлен ниже внутреннего прибора)
	На участке ответвительная коробка/внутренний прибор (h1)	$h1 + h2 \leq 15$ м
	В каждом ответвительном приборе (h2)	$h2 \leq 15$ м
	В каждом внутреннем приборе (h3)	$h3 \leq 12$ м
Количество сгибов		$ c1 + b1 + a1 , c1 + b1 + a2 , c1 + b1 + a3 , c1 + b1 + a4 , c1 + b1 + a5 , c1 + b2 + a6 , c1 + b2 + a7 , c1 + b2 + a8 \leq 15$

*1 Ответвительную коробку следует располагать на уровне между наружным прибором и внутренними приборами.

4.2. Длина труб и разность высот (Fig. 5-1)

4.2.1. Подключение без использования ответвительной коробки (Fig. 4-1)

A	(мм)	
	A Труба для жидкости	B Труба для газа
PUMY-P112-140	$\varnothing 9,52$	$\varnothing 15,88$

B, C, D	(мм)	
	C Общая мощность внутренних приборов	A Труба для жидкости
		B Труба для газа
		$\varnothing 9,52$
		$\varnothing 15,88$

a, b, c, d, e, f	(мм)	
	D Номер модели	A Труба для жидкости
		B Труба для газа
	15, 20, 25, 32, 40, 50	$\varnothing 6,35$
	63, 80, 100, 125, 140	$\varnothing 9,52$
		$\varnothing 15,88$

E	(мм)	
	E Модель с комплектом ответвлений	
	CMY-Y62-G-E	

F	(мм)	
	F 4-Ответвительный коллектор	G 8-Ответвительный коллектор
	CMY-Y64-G-E	CMY-Y68-G-E

* При соединении КОМПЛЕКТА ДЛЯ ПОДКЛЮЧЕНИЯ (PAC-LV11M-J) с внутренним прибором серии M информацию о диаметре и длине труб см. в руководстве по установке КОМПЛЕКТА ДЛЯ ПОДКЛЮЧЕНИЯ.

4.2.2. Подключение с использованием ответвительной коробки (Fig. 4-2)

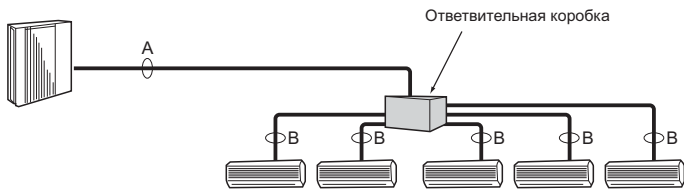
Фланцевые соединения

- В данном оборудовании используются фланцевые соединения на каждом внутреннем приборе и по сторонам ответвительной коробки и наружного прибора.
- Снимите крышку клапана наружного прибора, затем подсоедините трубу.
- Трубы хладагента используются для соединения ответвительной коробки и наружного прибора.

4. Прокладка труб хладагента

■ При использовании ответвительной коробки с 1 ответвлением

Используется фланцевое соединение. (Без пайки)



■ При использовании ответвительных коробок с 2 ответвлениями

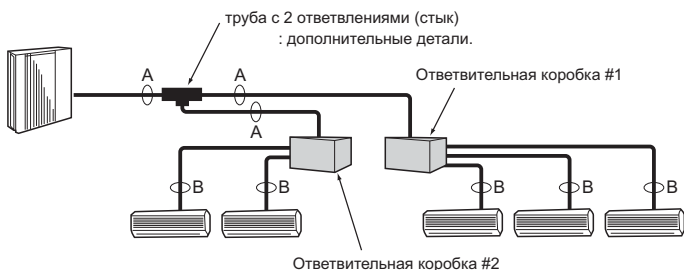


Fig. 4-3

(1) Размер клапана для наружного прибора

Для жидкости	ø9,52 мм
Для газа	ø15,88 мм

(2) Размер клапана для ответвительной коробки

ПРИБОР	Жидкостная труба	Газовая труба
Ⓐ ПРИБОР	ø6,35 мм	ø9,52 мм
Ⓑ ПРИБОР	ø6,35 мм	ø9,52 мм
Ⓒ ПРИБОР	ø6,35 мм	ø9,52 мм
Ⓓ ПРИБОР	ø6,35 мм	ø9,52 мм
Ⓔ ПРИБОР	ø6,35 мм	ø9,52 мм
Ⓕ ПРИБОР	ø6,35 мм	ø12,7 мм
Ⓖ ПРИБОР	ø6,35 мм	ø12,7 мм

* тип с 3 ответвлениями: только прибор Ⓐ, Ⓑ, Ⓒ

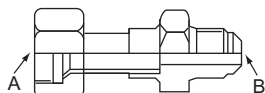


Fig. 4-4

Формула преобразования

1/4 F	ø6,35
3/8 F	ø9,52
1/2 F	ø12,7
5/8 F	ø15,88
3/4 F	ø19,05

4.3. Выбор размера труб

4.3.1. Подключение без использования ответвительной коробки

		Внутренний прибор		Наружный прибор
Сторона газа	Размер трубы (мм)	15-50	63-140	112-140
Сторона жидкости	Размер трубы (мм)	ø12,7	ø15,88	ø15,88
		ø6,35	ø9,52	ø9,52

4.3.2. Подключение с использованием ответвительной коробки (Fig. 4-3)

	A	B
Жидкость (мм)	ø9,52	Размер трубопроводного соединения отличается в зависимости от типа и мощности внутренних приборов. Подберите одинаковые трубопроводные соединения ответвительной коробки и внутреннего прибора.
Газ (мм)	ø15,88	Если размер трубопроводного соединения ответвительной коробки не совпадает с размером трубопроводного соединения внутреннего прибора, воспользуйтесь дополнительными стыками (деформированными) с различными диаметрами, чтобы подсоединить их к стороне ответвительной коробки. (Подсоедините деформированный стык непосредственно к стороне ответвительной коробки.)

Стык с различными диаметрами (дополнительные детали) (Fig. 4-4)

Наименование модели	Диаметр подсоединяемых труб		Диаметр A	Диаметр B
	мм		мм	мм
MAC-A454JP	ø9,52 →	ø12,7	ø9,52	ø12,7
MAC-A455JP	ø12,7 →	ø9,52	ø12,7	ø9,52
MAC-A456JP	ø12,7 →	ø15,88	ø12,7	ø15,88
PAC-493PI	ø6,35 →	ø9,52	ø6,35	ø9,52
PAC-SG76RJ-E	ø9,52 →	ø15,88	ø9,52	ø15,88

Подготовка трубопровода

① В таблице ниже приводятся спецификации имеющихся в продаже труб.

Наружный диаметр	Толщина изоляции	Изоляционный материал
6,35	8	Теплостойкий пенопласт, удельная масса 0,045
9,52	8	
12,7	8	
15,88	8	

② Убедитесь, что 2 трубы хладагента имеют изоляцию, чтобы предотвратить конденсацию.

③ Радиус сгиба трубы хладагента должен составлять 100 мм или больше.

⚠ Осторожно:

Обязательно используйте изоляцию указанной толщины. Чрезмерная толщина может привести к неправильному монтажу внутреннего прибора и ответвительной коробки, а недостаточная толщина может привести к стеканию росы.

труба с 2 ответвлениями (Стык): Дополнительные детали (в зависимости от метода подсоединения, Вы можете выбрать наиболее подходящую деталь.)

Наименование модели	Метод подсоединения
MSDD-50AR-E	фланец
MSDD-50BR-E	пайка

■ Процедура монтажа (труба с 2 ответвлениями (Стык))

См. Руководства по монтажу MSDD-50AR-E и MSDD-50BR-E.

■ Размер трубы (Наружный прибор - Ответвительная коробка)

Размер трубы (øмм)	Жидкость	ø9,52
	Газ	ø15,88

Согласование подключаемого внутреннего прибора зависит от района/области/страны.

■ Размер трубы (Ответвительная коробка - Внутренний прибор) *B в случае внутреннего прибора серии M или серии S

Тип внутреннего прибора	(кВт)	15	20	22	25	35	42	50	60	71	80
		Размер трубы (øмм)	Жидкость	ø6,35	ø6,35	ø6,35	ø6,35	ø6,35	ø6,35	ø6,35	ø6,35
	Газ	ø9,52	ø9,52	ø9,52	ø9,52	ø9,52	ø9,52	ø12,7	ø15,88*	ø15,88	ø15,88

* При использовании внутреннего прибора серии MEXZ типа 60, используйте дополнительную конусную гайку для подсоединения внутреннего прибора с газовой стороны. Не используйте конусную гайку (газовая сторона), прилагаемую к внутреннему прибору. Если она используется, может возникнуть утечка газа или даже выход трубы.

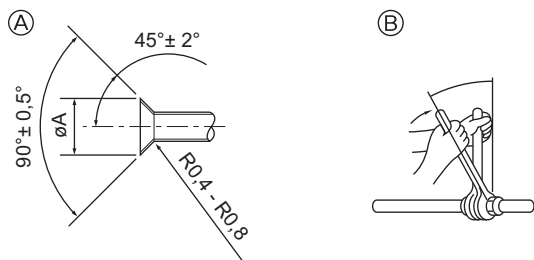
■ Размер трубы (Ответвительная коробка - Внутренний прибор) *B в случае внутреннего прибора серии P

Тип внутреннего прибора	(кВт)	*1 35	*1 50	60	71	*2 100
		Размер трубы (øмм)	Жидкость	ø6,35	ø6,35	ø9,52
	Газ	ø12,7	ø12,7	ø15,88	ø15,88	ø15,88

*1 При использовании внутренних приборов типов 35, 50 серии P, используйте конусную гайку, прилагаемую к внутреннему прибору. Не используйте конусную гайку из комплекта принадлежностей к внутреннему прибору. Если она используется, может возникнуть утечка газа или даже экстракция трубы.

*2 Для получения информации об установке труб для внутреннего прибора P100 обратитесь к руководству по установке Y-образной соединительной трубы (PAC-AK52YP-E).

4. Прокладка труб хладагента



- А Раструбный стык - размеры
Б Момент затяжки гайки раструбного стыка

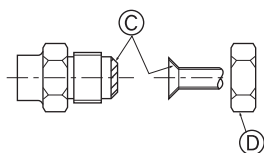


Fig. 4-5

А (Fig. 4-5)

Медная труба O.D. (мм)	Размеры раструба, диаметр ϕA (мм)
$\phi 6,35$	8,7 - 9,1
$\phi 9,52$	12,8 - 13,2
$\phi 12,7$	16,2 - 16,6
$\phi 15,88$	19,3 - 19,7

Б (Fig. 4-5)

Медная труба O.D. (мм)	Гайка раструбного стыка O.D. (мм)	Момент затяжки (Н·м)
$\phi 6,35$	17	14 - 18
$\phi 6,35$	22	34 - 42
$\phi 9,52$	22	34 - 42
$\phi 12,7$	26	49 - 61
$\phi 12,7$	29	68 - 82
$\phi 15,88$	29	68 - 82
$\phi 15,88$	36	100 - 120

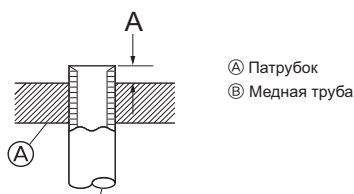


Fig. 4-6

- А Передняя крышка трубопровода
Б Крышка трубопровода
В Запорный кран
Г Эксплуатационная панель
Е Радиус изгиба: 100 - 150 мм

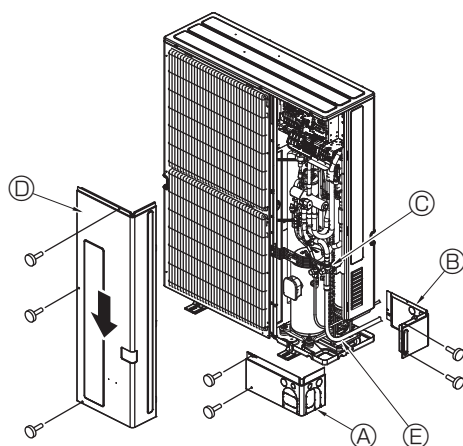


Fig. 4-7

4.4. Соединение труб (Fig. 4-5)

На Fig. 4-1 показан пример системы трубопроводов.

- Примите необходимые меры по изоляции и предотвращению конденсации, чтобы избежать падения капель с трубопровода хладагента (трубопровод жидкости/газа).
- Установите дополнительную изоляцию в зависимости от среды установки трубопровода хладагента, чтобы избежать конденсации на поверхности изоляционного материала (теплостойкость изоляционного материала: 120 °С, толщина: 15 мм или более).
 - * Если трубопровод хладагента используется в местах, подверженных воздействию высокой температуры и высокой влажности, например на мансарде, может потребоваться дополнительная изоляция.
- Чтобы изолировать трубопровод хладагента, нанесите теплостойкий вспененный полиэтилен между внутренним прибором и изоляционным материалом, а также на сетку между слоями изоляционного материала, заполнив все промежутки. (Образование конденсата на трубопроводе может привести к конденсации в помещении или ожогам при контакте с трубопроводом).
- Внутренняя часть дренажной трубы должна быть обернута в пенополиэтиленовый изолирующий материал (удельный вес 0,03; толщина 9 мм или более).
- Нанесите тонкий слой масла хладагента на контактную поверхность труб и соединений перед тем, как затягивать гайку с фланцем. А
- Для затягивания трубных соединений используйте два гаечных ключа. Б
- Используйте детектор утечки или мыльный раствор для проверки утечки газа после завершения всех соединений.
- Нанесите машинное масло охлаждения на всю поверхность области присоединения муфты. В
- Используйте гайки раструбного стыка для следующего размера трубы. Д
- При изгибе труб будьте осторожны, чтобы не допустить их поломки. Рекомендуются радиусы изгиба от 100 мм до 150 мм.
- Удостоверьтесь, что трубы не соприкасаются с компрессором. Такое соприкосновение может вызывать лишний шум или вибрацию.

- ① Соединение труб производится, начиная от внутреннего прибора. Хомуты на муфтах следует затягивать с помощью ключа с регулируемым усилием.
- ② Установите трубы для жидкости и для газа и нанесите тонкий слой масла охлаждения (на соответствующее место).
- В случае использования обычного уплотнения трубы, обратитесь к таблице 3 для справки о соединении труб для хладагента R410A. Для проверки размеров А можно использовать шаблон подгонки размера.

⚠ Предупреждение:

При установке прибора надежно подсоедините трубы подачи охлаждающей жидкости до запуска компрессора.

* Информацию о подсоединении КОМПЛЕКТА ДЛЯ ПОДКЛЮЧЕНИЯ (PAC-LV11M-J) см. в руководстве по установке КОМПЛЕКТА ДЛЯ ПОДКЛЮЧЕНИЯ.

Таблица 3 (Fig. 4-6)

Медная труба O.D. (мм)	А (мм)	
	Инструмент раструбного стыка для R410A	Инструмент раструбного стыка для R22-R407C
$\phi 6,35$	0 - 0,5	1,0 - 1,5
$\phi 9,52$	0 - 0,5	1,0 - 1,5
$\phi 12,7$	0 - 0,5	1,0 - 1,5
$\phi 15,88$	0 - 0,5	1,0 - 1,5
$\phi 19,05$	0 - 0,5	1,0 - 1,5

4.5. Прокладка труб хладагента (Fig. 4-7)

Снимите эксплуатационную панель Г (три винта), а также переднюю крышку трубопровода А (два винта) и заднюю крышку трубопровода Б (два винта).

- ① Подсоедините трубопроводы хладагента к устройству, предназначенному для установки внутри/вне помещения, при полностью закрытом запорном вентиле устройства для установки вне помещения.
- ② Произведите вакуумную продувку воздуха из внутреннего прибора и труб соединения.
- ③ После соединения труб хладагента проверьте соединенные трубы и внутренний прибор на наличие утечек газа. (См. 4.6. "Метод проверки герметичности трубопровода хладагента".)
- ④ Освободите трубопроводы хладагента от газа через служебное отверстие запорных кранов жидкости и газа. Затем полностью откройте запорные краны (и жидкости, и газа). После этого трубопроводы хладагента внутреннего и наружного приборов будут полностью соединены.
 - Если оставить закрытыми запорные краны и включить прибор, это приведет к повреждению компрессора и крана контроля.
 - Проверьте места соединения труб наружного прибора на наличие утечек с помощью детектора утечки или мыльной воды.
 - Не используйте хладагент из прибора для удаления воздуха из трубопроводов хладагента.
 - По окончании всех операций с кранами закрутите колпачки кранов до соответствующего усилия: от 20 до 25 Н·м (от 200 до 250 кгс·см). Неправильная замена и закрытие колпачков могут привести к утечке хладагента. Кроме того, не повредите внутренние детали колпачков кранов, поскольку они служат уплотнителями, предотвращающими утечку хладагента.
- ⑤ Для предотвращения пропитывания изоляционного материала на торцах труб водой произведите уплотнение соединений трубопроводов герметиком.

4. Прокладка труб хладагента

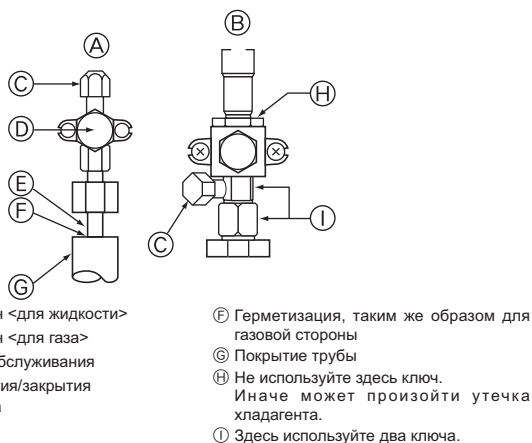


Fig. 4-8

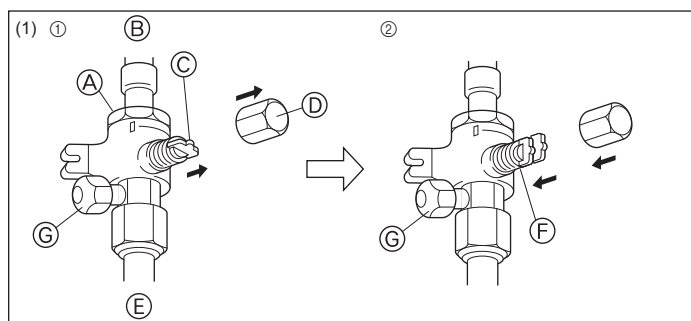


Fig. 4-9

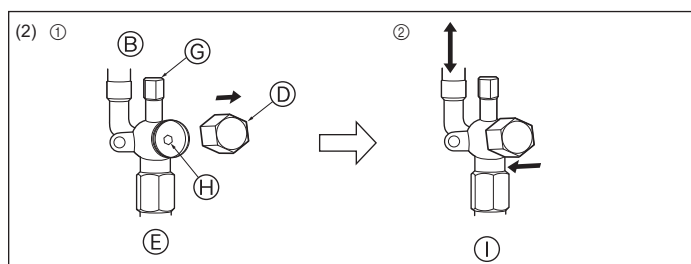


Fig. 4-10

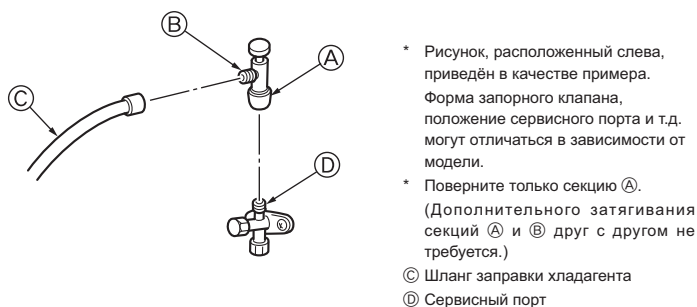


Fig. 4-11

4.6. Метод проверки герметичности трубопровода хладагента

- (1) Подсоедините проверочные инструменты.
 - Убедитесь в том, что запорные краны (A) и (B) закрыты, и не открывайте их.
 - Подайте давление в трубопроводы хладагента через служебное отверстие (C) запорного крана жидкости (A) и запорного крана газа (B).
- (2) Не следует сразу подавать указанное давление полностью; увеличивайте давление постепенно.
 - ① Увеличьте давление до 0,5 Мпа (5 кгс/см²G), подождите пять минут и удостоверьтесь, что давление не снизилось.
 - ② Увеличьте давление до 1,5 МПа (15 кгс/см²G), подождите пять минут и удостоверьтесь, что давление не снизилось.
 - ③ Увеличьте давление до 4,15 МПа (41,5 кгс/см²G) и измерьте температуру окружающего воздуха и давление хладагента.
- (3) Если указанное давление держится в течение приблизительно одного дня и не уменьшается, то трубы выдержали испытание и утечек нет.
 - При изменении температуры окружающего воздуха на 1°C давление изменяется приблизительно на 0,01 Мпа (0,1 кгс/см²G). Произведите необходимые подстройки.
- (4) Если на этапах (2) или (3) наблюдается снижение давления, происходит утечка газа. Найдите источник утечки газа.

4.7. Способ открытия запорного крана

- (1) Страна с газом (Fig. 4-9)
 - ① Снимите колпачок, потяните ручку на себя и поверните на 1/4 оборота против часовой стрелки для открытия.
 - ② Убедитесь в том, что запорный кран полностью открыт, надавите на ручку и поверните колпачок в первоначальное положение.
 - (2) Страна с жидкостью (Fig. 4-10)
 - ① Снимите колпачок и поверните шток золотника против часовой стрелки до упора, используя для этой цели 4 мм шестиугольный гаечный ключ. Прекратите поворачивать шток в момент, когда тот достигнет стопора. (ø6,35: Приблизительно 4,5 оборотов) (ø9,52: Приблизительно 10 оборотов)
 - ② Убедитесь в том, что запорный кран полностью открыт, надавите на ручку и поверните колпачок в первоначальное положение.
- A Кран
 B Со стороны блока
 C Ручка
 D Колпачок
 E Со стороны местной трубы
 F Положение "открыто"
 G Стык для техобслуживания
 H Отверстие под ключ
 I Направление потока хладагента

Трубы хладагента имеют защитную изоляцию

- Трубы могут быть обернуты защитной изоляцией до диаметра ø90 до или после соединения. Вырежьте кусок в покрытии трубы по канавке и оберните трубы. Зазор входа трубы
- Используйте замазку или герметик, чтобы загерметизировать входное отверстие для трубы и ликвидировать все щели. (Если имеются незакрытые отверстия, прибор может издавать шум, а также в него могут проникнуть вода и пыль, что может привести к поломке.)

Меры предосторожности при использовании клапана заправки хладагента (Fig. 4-11)

Не затягивайте сервисный порт слишком сильно при установке, в противном случае возможна деформация сердечника клапана и его ослабление, что может стать причиной утечки газа.

После установки секции (B) в необходимое положение, поверните только секцию (A) и затяните ее.

Дополнительного затягивания секций (A) и (B) друг с другом после затягивания секции (A) не требуется.

4. Прокладка труб хладагента

4.8. Дополнительный заряд хладагента

Дополнительный заряд хладагента

В заводской комплект поставки внешнего прибора не входит хладагент для удлиненного трубопровода хладагента дополнительным количеством хладагента. Кроме того, для выполнения технического обслуживания укажите диаметр и длину каждой трубы для жидкости и дополнительное количество хладагента в полях таблички количества хладагента на внешнем приборе.

Расчет дополнительной заправки хладагента

- Вычислите дополнительное количество хладагента, используя диаметр и длину дополнительных труб.
- Вычислите дополнительное количество хладагента, следуя описанной справа процедуре, и добавьте вычисленное количество хладагента.
- Для измеренного количества дополнительного хладагента, меньшего 0,1 кг, округлите результат в большую сторону.
(Например, если результат расчета составляет 6,01 кг, округлите его до 6,1 кг).

<Дополнительная заправка>

Расчет количества хладагента

Размер трубы Труба для жидкости ø6,35 (м) × 19,0 (г/м)	+	Размер трубы Труба для жидкости ø9,52 (м) × 50,0 (г/м)	+	Общая мощность подключенных внутренних приборов ~ 8,0 кВт 8,1 ~ 16,0 кВт 16,1 кВт ~	Количество для внутренних приборов 1,5 кг 2,5 кг 3,0 кг
---	---	---	---	--	--

Поставляемое с завода количество хладагента

Прилагаемое количество хладагента
4,8 кг

<Пример>

Модель наружного прибора : P125

Внутренний прибор 1 : P63 (7,1 кВт) A : ø9,52 30 м a : ø9,52 15 м
 2 : P40 (4,5 кВт) b : ø6,35 10 м
 3 : P25 (2,8 кВт) c : ø6,35 10 м
 4 : P20 (2,2 кВт) d : ø6,35 20 м

При условиях, указанных ниже:

Общая длина каждой линии жидкости равняется:

ø9,52 : A + a = 30 + 15 = 45 м

ø6,35 : b + c + d = 10 + 10 + 20 = 40 м

Общая мощность подключенных внутренних приборов:

7,1 + 4,5 + 2,8 + 2,2 = 16,6

<Пример расчета>

Дополнительная заправка хладагента

$40 \times \frac{19,0}{1000} + 45 \times \frac{50,0}{1000} + 3,0 = 6,1$ кг (округленно)

5. Дренажные трубы

Соединение дренажных труб наружного прибора

При необходимости дренажа используйте сливное гнездо или дренажный поддон (дополнительно).

	P112-140
Сливное гнездо	PAC-SG61DS-E
Дренажный поддон	PAC-SH97DP-E

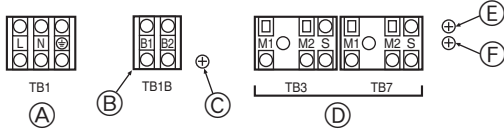
6. Электрические работы

6.1. Осторожно

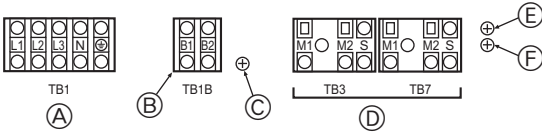
- Следуйте правилам техники безопасности, официально предписанным для работы с электрооборудованием, электропроводки и требованиям организации по электроснабжению.
- Проводка для управления (называемая ниже "линией передачи") должна отстоять на 5 см или более от проводки источника питания с тем, чтобы на нее не влиял электрический шум от проводки источника питания. (Не вставляйте линию передачи и кабель источника питания в один и тот же кабелепровод.)
- Обеспечьте правильное заземление внешнего прибора.
- Примите во внимание проводку коробки электродеталей внутреннего и внешнего приборов, поскольку коробку иногда приходится снимать во время работ по техобслуживанию.
- Никогда не подсоединяйте сетевой источник питания к колодке концевиков линии передачи. В противном случае произойдет подгорание электрических элементов.
- Используйте 2-жильный экранированный кабель для линии передачи. Если линии передачи различных систем включаются в один и тот же многожильный кабель, это поведет к ухудшению приема и передачи и неустойчивой работе.
- Только специально обозначенная линия передачи может быть подсоединена к блоку концевиков для передачи к внешнему прибору.
(Линия передачи, подсоединяемая к внутреннему прибору: Блок концевиков ТВ3 для линии передачи. Остальное: блок концевиков ТВ7 для централизованного управления.)
При неправильном подсоединении система не работает.
- В случае соединения с регулятором высшего класса или для обеспечения групповой работы различных систем хладагента необходима линия управления для передачи между отдельными внешними приборами.
Подсоедините эту линию управления между блоками концевиков для централизованного управления. (2-жильная линия без полярности.)
При осуществлении групповой работы в различных системах хладагента без подсоединенного регулятора высшего класса, замените вставку соединителя закорачивания с CN41 одного внешнего прибора на CN40.
- Группа устанавливается при помощи дистанционного управления.
- Информацию о подсоединении КОМПЛЕКТА ДЛЯ ПОДКЛЮЧЕНИЯ (PAC-LV11M-J) к внутреннему прибору серии M см. в руководстве по установке КОМПЛЕКТА ДЛЯ ПОДКЛЮЧЕНИЯ.
- При подключении ответвительной коробки не забудьте включить внутренние приборы и ответвительную коробку перед включением наружного прибора.

6. Электрические работы

<PUMY-P-VKM>



<PUMY-P-YKM>



- А : Источник питания
 Б : Источник питания для разветвительной коробки
 В : Навинтите на распределительную коробку деталей
 Г : Линия передачи
 Е : Навинтите на распределительную коробку деталей
 Ф : Навинтите на распределительную коробку деталей

Fig. 6-1

6.2. Блок управления и положение проводки (Fig. 6-1)

- Соедините линию передачи внутреннего прибора к клеммной колодке передачи (TB3) или соедините провода между наружными приборами или провода центральной системы управления к клеммной колодке центрального управления (TB7). При использовании экранированного провода подключите экранированный провод заземления линии передачи внутреннего прибора к винту (E) или (F) и подключите экранированный провод заземления линии между наружными приборами и линией передачи центральной системы управления к экранированной клемме (S) клеммной колодки центрального управления (TB7). Кроме того, при замене соединителя питания CN41 в наружном приборе на соединитель CN40, экранированную клемму (S) клеммной колодки (TB7) центрального управления также следует подключить к винту (E) или (F), используя приложенный провод заземления.
- Пластины монтажа кабельного желоба поставлены в комплекте (ø27). Проведите сетевые кабели и провода передачи через соответствующие пробиваемые отверстия, а затем снимите пробиваемую пластину с нижней панели коробки концевых соединений и подсоедините провода.
- Закрепите провода источника питания на коробке концевых соединений с помощью буферной втулки для прочности на разрыв (соединитель PG или тому подобный).
- Клеммная колодка (TB1B) предназначена для подачи питания к ответвительной коробке (220 ~ 240 В пер. тока, макс. 6 А).

⚠ Осторожно:

Никогда не подключайте линию передачи внутреннего прибора или центральной системы управления к этой клеммной колодке (TB1B). Подключение линий передачи может привести к повреждению клеммной колодки внутреннего прибора или клеммной колодки центральной системы управления.

6.3. Прокладка кабелей передачи

① Типы кабелей управления

- Прокладка кабелей передачи
 - Типы кабелей передачи: экранированный провод CVVS, CPEVS или MVVS
 - Диаметр кабеля: Свыше 1,25 мм²
 - Максимальная длина проводки: В пределах 200 м
- Кабели дистанционного управления M-NET

Тип кабеля дистанционного управления	Экранированный провод CVVS, CPEVS или MVVS
Диаметр кабеля	0,5 - 1,25 мм ²
Замечания	При превышении длины 10 м используйте кабель с такими же техническими характеристиками, как у проводки для линии передачи.

- Кабели дистанционного управления MA

Тип кабеля дистанционного управления	2-жильный кабель в оболочке (неэкранированный) CVV
Диаметр кабеля	0,3 - 1,25 мм ² (0,75 - 1,25 мм ²)*
Замечания	В пределах 200 м

* Подключено с простым устройством дистанционного управления.

② Примеры проводки

- Название регулятора, его символ и допускаемое число регуляторов

Название	Символ	Допускаемое число регуляторов
Регулятор внешнего прибора	OC	–
Регулятор внутренних приборов	IC	PUMY-P112 1 - 10 приборов на 1 OC
		PUMY-P125 1 - 12 приборов на 1 OC
		PUMY-P140 1 - 12 приборов на 1 OC
Дистанционный блок управления	RC	RC (M-NET) Максимум 12 пультов дистанционного управления на один контроллер внешнего прибора
		MA Максимум 2 на группу

Пример работы заземленной системы с многочисленными внешними приборами (подсоединения и провода прикреплены как необходимо)

<Примеры проводки кабелей передачи: Без использования ответвительной коробки >

■ Контроллер ДУ "M-NET" (Fig. 6-2)

■ Контроллер ДУ "MA" (Fig. 6-3)

<Метод электропроводки и адресная настройка>

- Всегда используйте экранированные провода при соединении между внешним прибором (OC) и внутренним прибором (IC), а также между OC и OC и IC и IC.
- Используйте фидерную проводку для подключения клемм M1 и M2 и клеммы заземления на клеммной колодке кабеля передачи (TB3) каждого наружного прибора (OC) к клеммам M1, M2 и S на клеммной колодке кабеля передачи внутреннего прибора (IC).
- Соедините концевики 1 (M1) и 2 (M2) на блоке концевиков кабеля передачи внутреннего прибора (IC), который имеет самый недавний адрес в этой же группе, к блоку концевиков на дистанционном блоке управления (RC).
- Соедините между собой клеммы M1, M2 и S на клеммной колодке центрального регулятора (TB7) наружного прибора (OC).
- Соединительная перемычка CN41 на панели управления не заменяется.
- Подсоедините экранированный провод заземления линии передачи внутренних приборов к клемме (S) клеммной колодки (TB3). Кроме того, подсоедините клемму (S) к винту (E) или (F), используя приложенный провод заземления. Подсоедините экранированный провод заземления линии между наружными приборами и линией передачи центральной системы управления к экранированной клемме (S) клеммной колодки (TB7).
- Установите выключатель адресной настройки, как показано ниже.

Прибор	Диапазон	Метод настройки
IC (Главный)	01 - 50	Используйте самый недавний адрес в одной и той же группе внутренних приборов (IC)
IC (Дополнительный)	01 - 50	Используйте адрес, помимо адреса IC (Главного) из приборов в одной и той же группе внутренних приборов. Он должен быть последовательным с IC (Главного)
Внешний прибор	51 - 100	Используйте самый недавний адрес из всех внутренних приборов в той же системе хладагента + 50 * Если адрес установлен как "01-50", он автоматически меняется на "100".
M-NET R/C (Главный)	101 - 150	Настройте адрес IC (Главного) + 100
M-NET R/C (Дополнительный)	151 - 200	Настройте адрес IC (Главного) + 150
MA R/C	–	Неужная настройка адреса (Необходимая настройка - установка "главный/подчиненный")

- Операция групповой настройки среди некоторого числа внутренних приборов выполняется дистанционным блоком управления (RC) после включения электропитания. Более подробная информация приводится в руководстве по установке дистанционного регулятора.

i. При подключении блока PWFY

- Запрещается выполнять групповые настройки для блока PWFY и внутренних блоков.
- Блок PWFY и блок Losspaу нельзя настраивать таким образом, чтобы они работали одновременно.
- Используйте пульт дистанционного управления WMA для блока PWFY.

Подробные сведения см. в руководстве по установке блока PWFY.

6. Электрические работы

<Допускаемая длина>

① Контроллер ДУ "М-NET"

- Максимальная длина через внешние приборы: $L_1 + L_2 + L_3 + L_4$ и $L_1 + L_2 + L_3 + L_5$ и $L_1 + L_2 + L_6 + L_7 \leq 500$ м (Не менее 1,25 мм²)
- Максимальная длина кабеля передачи: L_1 и $L_3 + L_4$ и $L_3 + L_5$ и L_6 и $L_2 + L_6$ и $L_7 \leq 200$ м (Не менее 1,25 мм²)
- Длина провода дистанционного блока управления: $l_1, l_2, l_2 + l_3, l_4 \leq 10$ м (0,5 - 1,25 мм²)

Если длина превышает 10 м, используйте экранированный провод 1,25 мм². Длина этого отрезка (L₈) должна быть включена в расчет максимальной длины и общей длины.

② Контроллер ДУ "МА"

- Максимальная длина через внешние приборы (Кабель M-NET): $L_1 + L_2 + L_3 + L_4$ и $L_1 + L_2 + L_6 + L_7 \leq 500$ м (Не менее 1,25 мм²)
- Максимальная длина кабеля передачи (Кабель M-NET): L_1 и $L_3 + L_4$ и L_6 и $L_2 + L_6$ и $L_7 \leq 200$ м (Не менее 1,25 мм²)
- Длина провода дистанционного блока управления: m_1 и $m_1 + m_2 + m_3$ и $m_1 + m_2 + m_3 + m_4 \leq 200$ м (0,3 - 1,25 мм²)

■ Контроллер ДУ "М-NET"

■ Контроллер ДУ "МА"

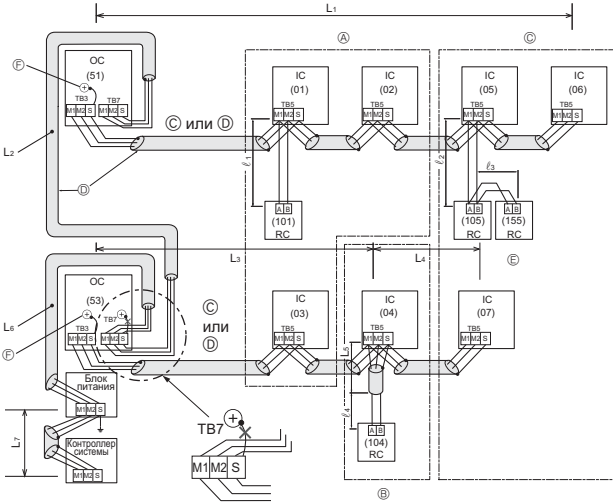


Fig. 6-2

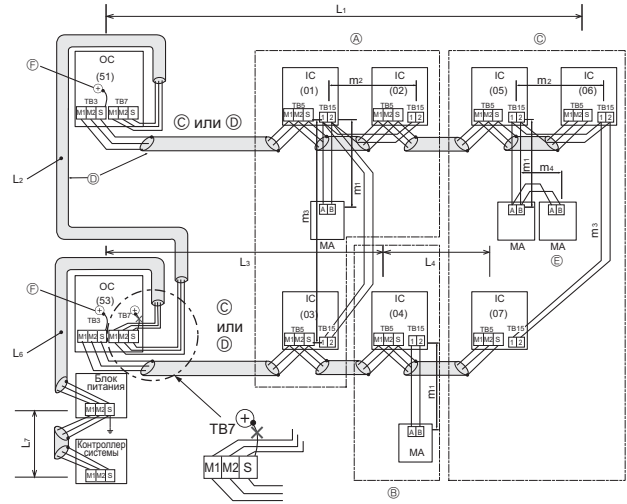
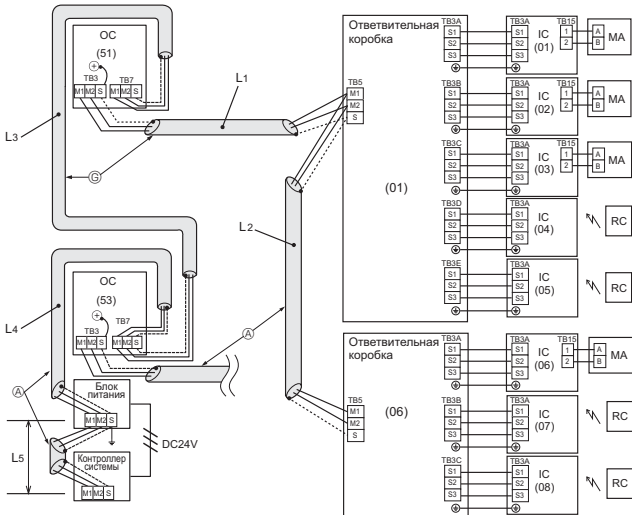


Fig. 6-3

- Ⓐ : Группа
- Ⓑ : Группа
- Ⓒ : Группа
- Ⓓ : Экранированный провод
- Ⓔ : Дополнительный дистанционный блок управления
- Ⓕ : Навинтите на распределительную коробку деталей
- () : Адрес

- Ⓐ : Группа
- Ⓑ : Группа
- Ⓒ : Группа
- Ⓓ : Экранированный провод
- Ⓔ : Дополнительный дистанционный блок управления
- Ⓕ : Навинтите на распределительную коробку деталей
- () : Адрес

<Пример раскладки проводов кабеля передачи: при использовании ответвительной коробки>



- Ⓒ : Экранированный провод
- () : Пример адреса

Fig. 6-4

<Допускаемая длина>

Максимальная длина через внешние приборы (Кабель M-NET):

$$L_1 + L_2 + L_3 + L_4 + L_5 \leq 500 \text{ м (Не менее 1,25 мм}^2\text{)}$$

Максимальная длина кабеля передачи (Кабель M-NET):

$$L_1 + L_2, L_3, L_3 + L_4, L_5 \leq 200 \text{ м (Не менее 1,25 мм}^2\text{)}$$

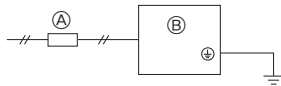
6. Электрические работы

6.4. Электропроводка для сетевого питания и характеристики оборудования

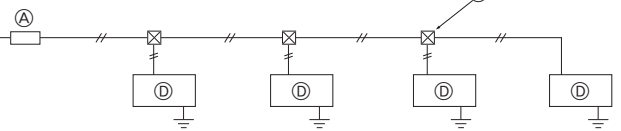
Схема электропроводки: Без использования ответвительной коробки (Пример) (Fig. 6-5)

■ PUMY-P-VKM серия

~N 220/230/240 В 50 Гц
~N 220 В 60 Гц

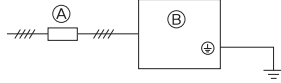


~N 220/230/240 В 50 Гц
~N 220 В 60 Гц



■ PUMY-P-YKM серия

3N~380/400/415 В 50 Гц



- Ⓐ : Выключатель (прерывание цепи и утечки тока)
- Ⓑ : Внешний прибор
- Ⓒ : Коробка пенального типа
- Ⓓ : Внутренний прибор

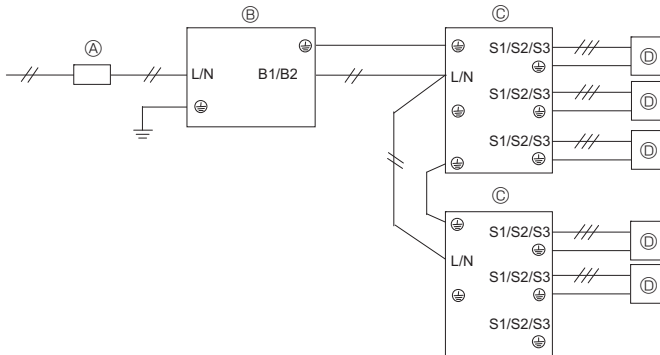
Fig. 6-5

Схема электропроводки: при использовании ответвительной коробки (Пример) (Fig. 6-6)

<Когда питание подается от наружного прибора>

■ PUMY-P-VKM серия

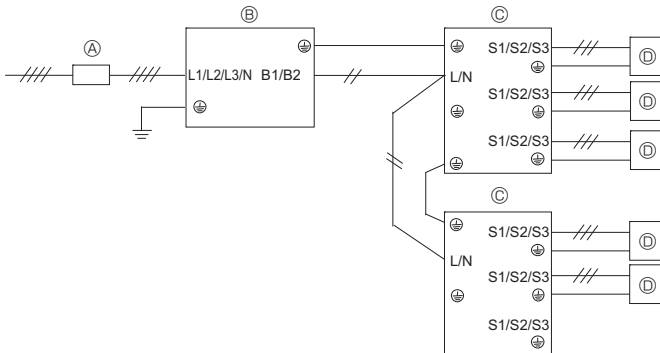
~N 220/230/240 В 50 Гц
~N 220 В 60 Гц



- Ⓐ Выключатель (прерывание цепи и утечки тока)
- Ⓑ Наружный прибор
- Ⓒ Ответвительная коробка
- Ⓓ Внутренний прибор

■ PUMY-P-YKM серия

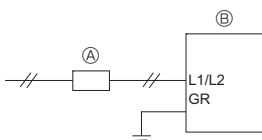
3N~380/400/415 В 50 Гц



<Когда питание подается отдельно>

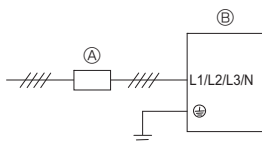
■ PUMY-P-VKM серия

~N 220/230/240 В 50 Гц
~N 220 В 60 Гц



■ PUMY-P-YKM серия

3N~380/400/415 В 50 Гц



~N 220/230/240 В 50 Гц
~N 230 В 60 Гц

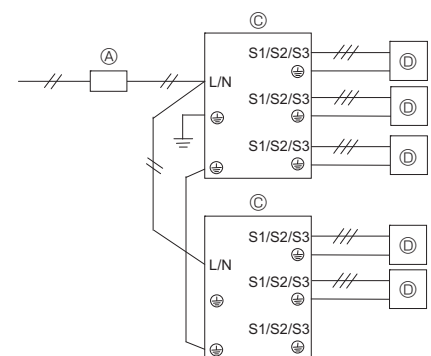


Fig. 6-6

6. Электрические работы

Площадь сечения провода основного источника питания и значения включения/выключения

Модель	Источник питания	Минимальная площадь сечения провода (мм ²)			Прерыватель цепи *1	Прерыватель против утечки тока	
		Магистр. кабель	Отвод	Заземл.			
Внешний прибор	P112-140V	~N 220/230/240 В 50 Гц ~N 220 В 60 Гц	5,5(6)	–	5,5(6)	32 А	32 А 30 мА 0,1сек. или менее
	P112-140Y	3N-380/400/415 В 50 Гц	1,5	–	1,5	16 А	16 А 30 мА 0,1сек. или менее

*1. Используйте неплывкий предохранитель (NF) или выключатель тока утечки на землю (NV) с расстоянием между контактами по крайней мере 3,0 мм для каждого полюса.

Общий рабочий ток внутреннего прибора	Минимальная толщина провода (мм ²)			Прерыватель утечки тока на землю *1	Локальный выключатель (А)		Прерыватель цепи (NFB)
	Магистр. кабель	Отвод	Заземл.		Мощность	Предохранитель	
F0 = 16 А или менее *2	1,5	1,5	1,5	Чувствительность по току 20 А *3	16	16	20
F0 = 25 А или менее *2	2,5	2,5	2,5	Чувствительность по току 30 А *3	25	25	30
F0 = 32 А или менее *2	4,0	4,0	4,0	Чувствительность по току 40 А *3	32	32	40

Максимально допустимое сопротивление системы см. в IEC61000-3-3.

*1 Прерыватель утечки тока на землю должен поддерживать цепь инвертора.

Прерыватель утечки тока на землю должен поддерживать совместное использование с локальным выключателем или прерывателем цепи.

*2 В качестве значения F0 выберите большее значение из F1 или F2.

F1 = Общий максимальный рабочий ток внутренних приборов × 1,2

F2 = {V1 × (количество типа 1)/C} + {V1 × (количество типа 2)/C} + {V1 × (количество типа 3)/C} + {V1 × (количество прочих)/C}

Подсоединение к ответвительной коробке (PAC-MK-BC)

Внутренний прибор		V1	V2
Тип 1	SEZ-KD-VA, PCA-RP-KAQ, PLA-ZRP-BA.(UK)	19,8	2,4
Тип 2	PEAD-RP-JAQ(L).UK	26,9	
Тип 3	MLZ-KA-VA, SLZ-KA, VAQ(L)3	9,9	
Тип 4	MSZ-FH-VE, MSZ-SF-VE, MSZ-EF-VE, MSZ-SF-VA	6,8	
Тип 5	MFZ-KJ-VE	7,4	
Тип 6	Ответвительная коробка (PAC-MK-BC)	5,1	3,0

Подсоединение к комплекту подключения (PAC-LV11M)

Внутренний прибор		V1	V2
Тип 1	MSY-EF-VE, MSY-GE-VA, MSY-GH, MSZ-GE-VA, MSZ-SF-VA, MSZ-SF-VE, MSZ-EF-VE, MSZ-FH-VE	6,8	2,4
Тип 2	MFZ-KJ-VE	7,4	
Тип 3	Комплект подключения (PAC-LV11M)	3,5	

Внутренний прибор		V1	V2
Тип 1	PMFY-VBM, PLFY-VBM, PEFY-VMS1, PCFY-NKMU, PKFY-VHM, PKFY-VKM	19,8	2,4
Тип 2	PLFY-VCM	9,9	
Тип 4	PKFY-VBM	3,5	
Тип 5	PEFY-VMA	38	
Тип 6	PLFY-VLMD, PEFY-VMH, PEFY-VMR, PDFY-VM, PFFY-VLEM	0	0

C : несколько значений тока расщепления при времени расщепления 0,01 с
Из характеристик расщепления автоматического выключателя выберите "C".

<Пример расчета "F2">

* Условие PEFY-VMS × 4 + PEFY-VMA × 1, C = 8 (см. типовый график справа)

F2 = 18,6 × 4/8 + 38 × 1/8

= 14,05

→ Автоматический выключатель 16 А (Ток расщепления = 8 × 16 А при 0,01 с)

* 3 Чувствительность по току рассчитывается по следующей формуле.

G1 = V2 × (количество внутренних приборов типа 1) + V2 × (количество внутренних приборов типа 2) +

V2 × (количество внутренних приборов типа 3) + V2 × (количество внутренних приборов других типов) +

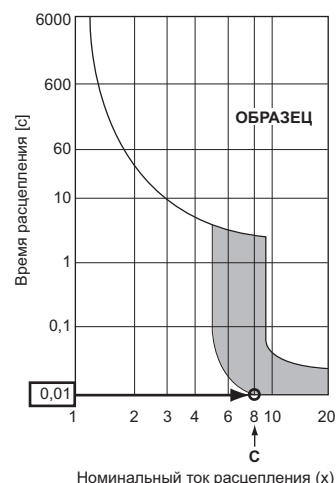
V3 × (длина провода[км])

G1	Чувствительность по току
30 или меньше	30 мА 0,1 с или меньше
100 или меньше	100 мА 0,1 с или меньше

Толщина провода	V3
1,5 мм ²	48
2,5 мм ²	56
4,0 мм ²	66

- При проведении проводки и электросоединений имейте в виду окружающие условия (температуру окружающего воздуха, прямые солнечные лучи, дождевую воду и т. д.).
- Размер провода является минимальной величиной для электропроводки в металлических трубах. Размер кабеля питания должен быть на 1 порядок толще ввиду падений напряжения. Убедитесь в том, что напряжение в сети питания падает не более, чем на 10%.
- Необходимо следовать специфическим требованиям по проведению электропроводки, соответствующим нормативам данного региона.
- Шнуры питания частей устройств, предназначенных для наружной эксплуатации, не должны быть легче, чем гибкий шнур с оболочкой из полихлоропрена (дизайн 60245 IEC57). К примеру, используйте проводку типа YZW.
- Длина устанавливаемого кабеля заземления должна превышать длину других кабелей.

Типовой график



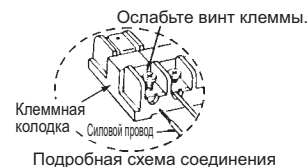
6. Электрические работы

⚠ Предупреждение:

- Обязательно используйте для соединений указанные провода так, чтобы на соединения концевиков не действовала внешняя сила. ненадежные соединения могут вызвать перегрев или пожар.
- Обязательно убедитесь в том, что Вы используете соответствующий тип переключателя защиты от сверхтока. Заметьте, что генерируемый сверхток может включать в себя некоторое количество постоянного тока.
- Обязательно надежно закрепите крышки клеммной колодки/панель наружного прибора.
Неправильная установка может привести к возникновению пожара или поражению электрическим током из-за попадания пыли, воды и т. д.

⚠ Внимание:

- Следите за правильностью подсоединения проводов.
- Плотно затягивайте винты клеммной колодки для предотвращения их ослабления.
- После затяжки винтов слегка потяните за провода, чтобы убедиться в их неподвижности.
- При неправильном подсоединении провода соединения к клеммной колодке нормальная работа прибора невозможна.
- На некоторых площадках может потребоваться установка прерывателя заземления. Отсутствие прерывателя в линии заземления может привести к электрическому удару.
- Используйте только прерыватели и предохранители с правильной характеристикой. Применение предохранителя или медного провода со слишком высокой характеристикой может вызвать отказ или возгорание прибора.



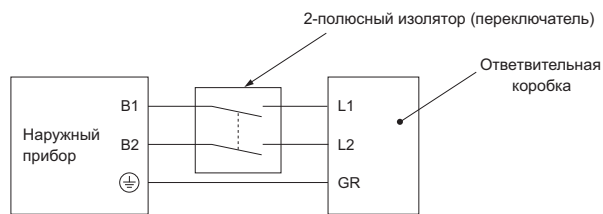
ВАЖНО

Убедитесь в том, что используемый прерыватель утечки тока совместим с более высокой гармоникой. Всегда пользуйтесь прерывателем утечки тока, так как данный прибор оборудован инвертором. Прерыватель утечки тока, несовместимый с более высокой гармоникой, может стать причиной неправильной работы инвертора.

Никогда не сращивайте кабель питания или соединительный кабель внутренней или наружной ответвительной коробки, в противном случае это может привести к образованию дыма, пожару или отказу связи.

⚠ Предупреждение:

- В случае использования цепи управления (А) есть опасность возникновения высокого напряжения на клемме S3 вследствие конструкции электрической схемы, которая не имеет электрической изоляции между линией питания и сигнальной линией связи. Поэтому при выполнении технического обслуживания выключите основной источник питания. А также не прикасайтесь к клеммам S1, S2, S3, когда подается напряжение. Если изолятор необходимо будет использовать между наружным прибором и ответвительной коробкой/внутренним прибором и ответвительной коробкой, используйте 3-полюсный или 2-полюсный тип. (См. рис. ниже.)



⚠ Осторожно:

После использования изолятора не забудьте выключить и включить основной источник питания для перезагрузки системы. В противном случае наружный прибор не сможет обнаружить ответвительную коробку (коробки) или внутренние приборы.

Обязательно подключите соединительные кабели наружной ответвительной коробки/внутренней ответвительной коробки непосредственно к устройствам (без промежуточных соединений).


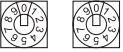
Использование промежуточных соединений может привести к ошибкам связи, если вода проникнет в кабели и приведет к недостаточной изоляции на землю или станет причиной плохого электрического контакта в промежуточной точке подключения.

(Если промежуточное соединение необходимо, обязательно примите меры для предотвращения попадания воды в кабели.)

6. Электрические работы

6.5. Установка адреса

Установка адреса переключателей

Прибор Адрес	Наружный	Ответственная коробка				Внутренний																					
		Адрес		Установка соединения																							
Переключатель	 SWU2 SWU1	 SW12 SW11	<table border="1"> <tr> <td>Порт</td> <td>A</td> <td>B</td> <td>C</td> <td>D</td> <td>E</td> <td>-</td> </tr> <tr> <td>ON (Вкл.)</td> <td></td> <td></td> <td></td> <td></td> <td></td> <td></td> </tr> <tr> <td>OFF (Выкл.)</td> <td>1</td> <td>2</td> <td>3</td> <td>4</td> <td>5</td> <td>6</td> </tr> </table>		Порт	A	B	C	D	E	-	ON (Вкл.)							OFF (Выкл.)	1	2	3	4	5	6	ON: Подкл. внутр. прибора OFF: Нет подключения	Нет
Порт	A	B	C	D	E	-																					
ON (Вкл.)																											
OFF (Выкл.)	1	2	3	4	5	6																					
Диапазон	51 - 100	1 - 50		SW1		*SW1-6 не используется	-																				
Настройка	Адрес разветвления + 50	• В соответствии с установленным адресом (например, 01) адреса подключенных внутренних приборов устанавливаются последовательно (например, 02, 03, 04 и 05).		• Укажите, подключены ли внутренние приборы к каждому порту (A, B, C, D и E).		<table border="1"> <tr> <td>SW1</td> <td>1</td> <td>2</td> <td>3</td> <td>4</td> <td>5</td> <td>(6)</td> </tr> <tr> <td>Порт</td> <td>A</td> <td>B</td> <td>C</td> <td>D</td> <td>E</td> <td>(не используется)</td> </tr> </table> Внутренние приборы подключены (ON) Внутренние приборы не подключены (OFF)	SW1	1	2	3	4	5	(6)	Порт	A	B	C	D	E	(не используется)	Для внутренних приборов нет установленных адресов.						
SW1	1	2	3	4	5	(6)																					
Порт	A	B	C	D	E	(не используется)																					

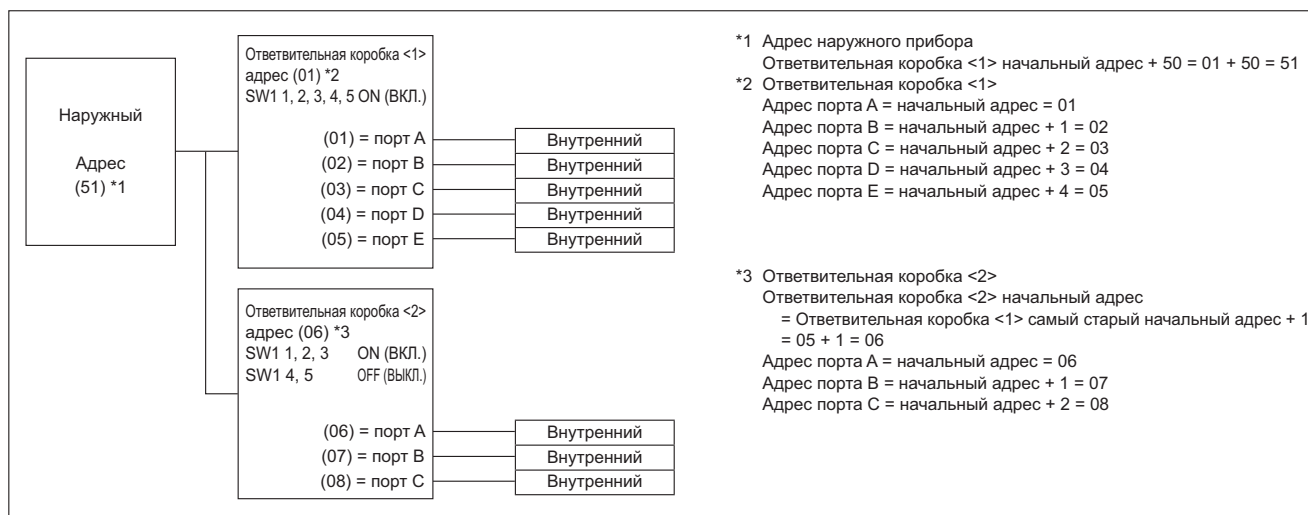
Примечание 1. Адрес ответственной коробки

При установке адреса используйте номера в диапазоне 1–50.

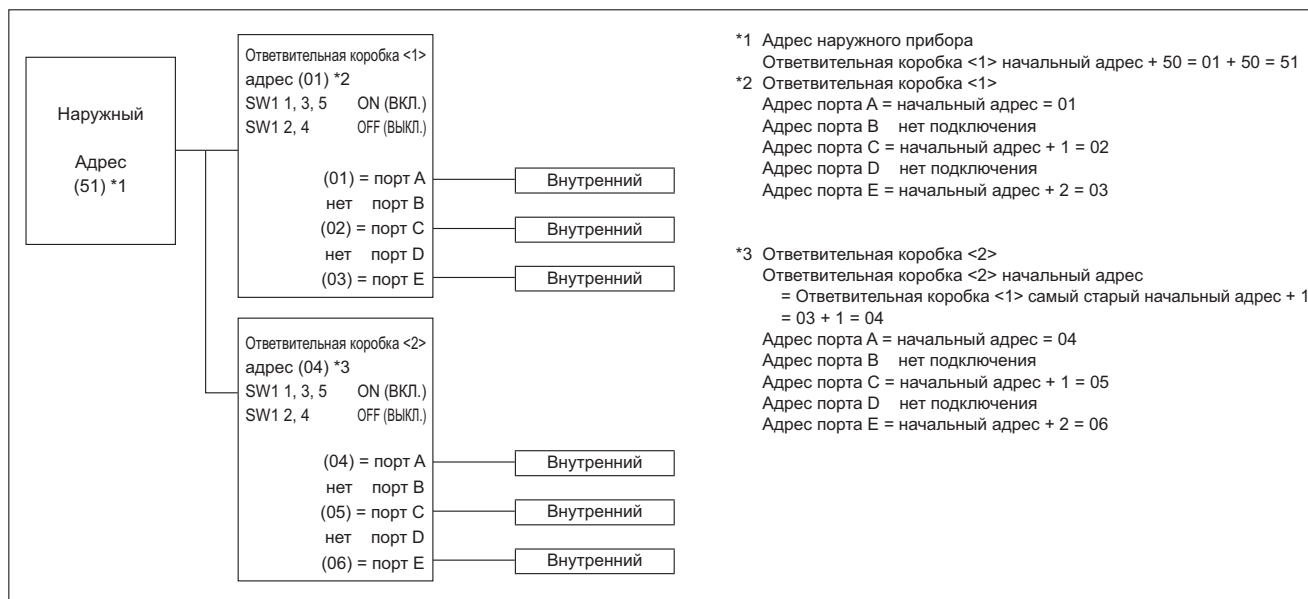
Пример. Установленный адрес – (47), а всего 5 внутренних приборов (A, B, C, D и E).

Если A: (47), B: (48), C: (49), D: (50), а E: (51), то установка E неверна, потому что превышен диапазон 50.

Пример 1. Наружные + ответв.коробка <1> (внутренние A, B, C, D, E) + ответв.коробка <2> (внутренние A, B, C)



Пример 2. Наружные + ответв.коробка <1> (внутренние A, C, E) + ответв.коробка <2> (внутренние A, C, E)



7. Выполнение испытания

7.1. Перед пробным прогоном

- ▶ После завершения установки, прокладки труб и электропроводки внутреннего и наружного приборов проверьте отсутствие утечки хладагента, слабых соединений кабеля питания или проводов управления и неправильной полярности, а также убедитесь, что все фазы питания подключены.
- ▶ Используйте тестер на 500-Вольт Мом, чтобы проверить, что сопротивление между клеммами электропитания и заземлением составляет, по меньшей мере, 1 МΩ.
- ▶ Запрещается выполнять этот замер на терминалах проводах управления (цепь низкого напряжения).

⚠ Предупреждение:

Не пользуйтесь кондиционером воздуха, если сопротивление изоляции ниже 1 МΩ.

Сопротивление изоляции

После установки или длительного отключения источника питания от прибора, сопротивление изоляции падает ниже 1 МΩ вследствие накопления хладагента в компрессоре. Это не является неисправностью. Выполните следующие действия.

1. Отключите от компрессора провода и измерьте сопротивление изоляции компрессора.
2. Если сопротивление изоляции ниже 1 МΩ, то компрессор неисправен или сопротивление упало вследствие накопления хладагента в компрессоре.

7.2. Выполнение испытания

7.2.1. Использование пульта дистанционного управления

См. руководство по монтажу внутреннего прибора.

- Обязательно осуществите пробный запуск каждого внутреннего прибора. Убедитесь в том, что каждый внутренний прибор работает надлежащим образом согласно руководству по монтажу, прилагаемому к прибору.
- Если Вы выполните пробный запуск всех внутренних приборов одновременно, Вы не сможете обнаружить неправильное подсоединение труб хладагента и соединительных проводов, если оно имеет место.
- * Компрессор начинает работу, по меньшей мере, через 3 минуты после подачи электропитания.
- Компрессор может издавать шум сразу же после включения электропитания или при низкой температуре наружного воздуха.

О защитном механизме повторного запуска

После останова компрессора включается защитный механизм повторного запуска, который предотвращает включение компрессора в течение 3 минут для защиты кондиционера.

7.3. Сбор хладагента (откачка)

Для сбора хладагента при перемещении внутреннего или внешнего прибора выполните следующие действия.

- ① Выключите автоматический выключатель.
- ② Подсоедините шланг со стороны низкого давления манометрического коллектора к сервисному порту запорного клапана на стороне газа.
- ③ Перекройте запорный клапан линии подачи жидкости.
- ④ Включите питание (с помощью автоматического выключателя).
- * Взаимодействие внешнего и внутреннего модулей начинается спустя 3 минуты после включения питания (автоматического выключателя). Начните откачку через 3–4 минуты после включения питания (автоматического выключателя).
- ⑤ Выполните испытание процесса охлаждения (SW3-1: ON (Вкл.), SW3-2: OFF (Выкл.)). Запустятся компрессор (внешний прибор) и вентиляторы (внутренний и внешний приборы) и начнется испытание процесса охлаждения. После того, как прибор проработает в режиме охлаждения в течение приблизительно пяти минут, переведите сервисный переключатель внешнего прибора SW2-4 (переключатель откачки) из положения OFF (Выкл.) в положение ON (Вкл.).
- * Запрещается продолжение эксплуатации прибора длительное время с выключателем SW2-4 в положении ON (Вкл.). Обязательно переключите выключатель в положение OFF (Выкл.) после завершения операции откачивания.
- * Переводите переключатели SW3-1 и SW3-2 в положение ON (Вкл.) только при остановленном приборе. Однако даже если прибор будет остановлен, а переключатели SW3-1 и SW3-2 будут переведены в положение ON (Вкл.) менее чем через 3 минуты после останова компрессора, охлаждающую жидкость собрать не удастся. Подождите 3 минуты после останова компрессора, затем снова переведите переключатели SW3-1 и SW3-2 в положение ON (Вкл.).

3. После подсоединения проводов к компрессору при подаче питания он начнет нагреваться. После подачи питания в течение нижеуказанных периодов времени, измерьте сопротивление изоляции еще раз.
 - Сопротивление изоляции понижается из-за накопления хладагента в компрессоре. Сопротивление поднимется выше 1 МΩ после прогрева компрессора в течение 4 часов. (Время, в течение которого необходимо прогревать компрессор, зависит от атмосферных условий и количества накопленного хладагента.)
 - Чтобы использовать компрессор, в котором скопился хладагент, компрессор необходимо прогреть в течение по крайней мере 12 часов, чтобы предотвратить поломку.
4. Если сопротивление изоляции возрастает до значения свыше 1 МΩ, то компрессор исправен.

⚠ Внимания:

- Компрессор не будет работать при неправильном подсоединении фаз источника электропитания.
 - Подключите электропитание прибора не менее чем за 12 часов до начала работы.
 - Запуск прибора сразу после подключения сетевого питания может серьезно повредить внутренние части прибора. Сетевой выключатель должен оставаться во включенном положении в течение всего периода эксплуатации прибора.
- ▶ Выполните проверку следующего.
- Наружный прибор исправен. Светодиод на контрольной панели наружного прибора мигает, если наружный прибор неисправен.
 - Запорные краны газа и жидкости полностью открыты.

7.2.2. Использование SW3 в наружном блоке

Примечание:

Если пробный запуск осуществляется с наружного прибора, включатся все внутренние приборы. Следовательно, Вы не сможете обнаружить неправильное подсоединение труб хладагента или соединительных проводов. Если необходимо определить какое-либо неправильное подсоединение, обязательно осуществляйте пробный запуск с пульта дистанционного управления согласно разделу "7.2.1. Использование пульта дистанционного управления".

SW3-1	ON (Вкл.)	Работа в режиме охлаждения
SW3-2	OFF (Выкл.)	
SW3-1	ON (Вкл.)	Работа в режиме обогрева
SW3-2	ON (Вкл.)	

- * После выполнения пробного прогона, установите SW3-1 на OFF (Выкл.).
 - Через несколько секунд после запуска компрессора внутри наружного прибора может появиться шум (лязг). Этот шум исходит от контрольного крана вследствие небольшого перепада давления в трубах. Это не является неисправностью.
- Режим тестового прогона во время его выполнения невозможно изменить DIP-переключателем SW3-2. (Для смены режима тестового прогона во время его выполнения прервите выполнение с помощью DIP-переключателя SW3-1. После смены режима продолжайте выполнение тестового прогона, включив DIP-переключатель SW3-1.)**

- ⑥ Полностью закройте запорный газовый клапан, когда показания давления на манометре упадут до уровня 0,05–0,00 МПа (приблизительно 0,5–0,0 кгс/см²)
- ⑦ Остановите работу кондиционера воздуха (SW3-1: OFF (Выкл.) и SW3-2: OFF (Выкл.)). Переведите сервисный переключатель внешнего прибора SW2-4 из положения ON (Вкл.) в положение OFF (Выкл.).
- ⑧ Отключите подачу питания (с помощью автоматического выключателя).
- * Если в систему добавлено слишком много хладагента, давление может не упасть до уровня 0,5 кгс/см². В этом случае используйте устройство для сбора хладагента, чтобы собрать весь хладагент из системы, и затем повторно заправьте систему правильным количеством хладагента после перемещения внутреннего и внешнего прибора.

⚠ Внимание:

При откачке охлаждающей жидкости, прежде чем отсоединить трубы, следует остановить компрессор. При попадании в систему постороннего вещества, например воздуха, может произойти взрыв компрессора, что приведет к травмированию.

EC DECLARATION OF CONFORMITY
EG-KONFORMITÄTSEKTLÄRUNG
DECLARATION DE CONFORMITÉ CE
EG-CONFORMITEITSVERKLARING

DECLARACIÓN DE CONFORMIDAD CE
DICHIARAZIONE DI CONFORMITÀ CE
ΔΗΛΩΣΗ ΠΙΣΤΟΤΗΤΑΣ ΕΚ

DECLARAÇÃO DE CONFORMIDADE CE
EU-OVERENSSTEMMELSESEKTLÆRING
EG-DEKLARATION OM ÖVERENSSTÄMMELSE

EC UYGUNLUK BEYANI
CE-ERKLÆRING OM SAMSVAR
EY-VAATIMUSTENMUKAISUUDEN VAKUUTUS

mitsubishi electric corporation, shizuoka works
18-1, oshika 3-chome, suruga-ku, shizuoka-city 422-8528, japan

hereby declares under its sole responsibility that the air conditioners and heat pumps described below for use in residential, commercial and light-industrial environments:
erklärt hiermit auf seine alleinige Verantwortung, dass die Klimaanlage und Wärmepumpen für das häusliche, kommerzielle und leicht-industrielle Umfeld wie unten beschrieben:
déclare par la présente et sous sa propre responsabilité que les climatiseurs et les pompes à chaleur décrits ci-dessous, destinés à un usage dans des environnements résidentiels, commerciaux et d'industrie légère :
verklaart hierbij onder eigen verantwoordelijkheid dat de voor residentiële, commerciële en licht-industriële omgevingen bestemde airconditioners en warmtepompen zoals onderstaand beschreven:
por la presente declara bajo su única responsabilidad que los acondicionadores de aire y bombas de calor descritas a continuación para su uso en entornos residenciales, comerciales y de industria ligera:
conferma con la presente, sotto la sua esclusiva responsabilità, che i condizionatori d'aria e le pompe di calore descritti di seguito e destinati all'utilizzo in ambienti residenziali, commerciali e semi-industriali:
με το παρόν πιστοποιεί με αποκλειστική της ευθύνη ότι οι τα κλιματιστικά και οι αντλίες θέρμανσης που περιγράφονται παρακάτω για χρήση σε οικιακό, επαγγελματικό και ελαφριάς βιομηχανίας περιβάλλοντα:
através da presente declara sob sua única responsabilidade que os aparelhos de ar condicionado e bombas de calor abaixo descritos para uso residencial, comercial e de indústria ligeira:
erklærer hermed under eneansvar, at de herunder beskrevne airconditionanlæg og varmepumper til brug i privat boligbyggeri, erhvervsområder og inden for let industri:
intygar härmed att luftkonditioneringarna och varmepumparna som beskrivs nedan för användning i bostäder, kommersiella miljöer och lätta industriella miljöer:
ev, ticaret ve hafif sanayi ortamlarında kullanım amaçlı üretilen ve aşağıda açıklanan klima ve ısıtma pompalarıyla ilgili aşağıdaki hususları yalnızca kendi sorumluluğunda beyan eder:
erklærer et fullstendig ansvar for undernævnte klimaanlegg og varmepumper ved bruk i boliger, samt kommersielle og lettindustrielle miljøer:
täten vakuuttaa täysin omalla vastuullaan, että seuraavassa kuvattavat asuinkiinteistöihin, liikekiinteistöihin ja kevyen teollisuuden ympäristöihin tarkoitettut ilmastointilaitteet ja lämpöpumput:

MITSUBISHI ELECTRIC, PUMY-P112VKM1
PUMY-P125VKM1
PUMY-P140VKM1

Note: Its serial number is on the nameplate of the product.
Hinweis: Die Seriennummer befindet sich auf dem Kennschild des Produkts.
Remarque : Le numéro de série de l'appareil se trouve sur la plaque du produit.
Opmerking: het serienummer staat op het naamplaatje van het product.
Nota: El número de serie se encuentra en la placa que contiene el nombre del producto.
Nota: il numero di serie si trova sulla targhetta del prodotto.
Σημείωση: Ο σειριακός του αριθμός βρίσκεται στην πινακίδα ονόματος του προϊόντος.

Nota: o número de série encontra-se na placa que contém o nome do produto.
Bemærk: Serienummeret står på produktets fabriksskilt.
Obs: Serienumret finns på produktens namnplåt.
Not: Serí numarası ürünün isim plakasında yer alır.
Merk: Serienummeret befinnder seg på navneplaten til produktet.
Huomautus: Tuotteen sarjanumero on sen nimikilvessä.

Directives
Richtlijnen
Directives
Richtlijnen
Directivas
Direttive
Οδηγίες
Directivas
Direktiver
Direktiv
Direktifler
Direktiver
Direktiivit

2006/95/EC: Low Voltage
2006/42/EC: Machinery
2004/108/EC: Electromagnetic Compatibility
2011/65/EU: RoHS Directive

Our authorized representative in EU, who is authorized to compile the technical file, is as follows.
Unser autorisierter Vertreter in der EU, der ermächtigt ist die technischen Daten zu kompilieren, ist wie folgt.
Notre représentant agréé dans L'UE, qui est autorisé à compiler le fichier technique, est le suivant.
Onze geautoriseerde vertegenwoordiger in de EU, die gemachtigd is het technische bestand te compileren, is als volgt.
Nuestro representante autorizado en la UE, que está autorizado para compilar el archivo técnico, es el siguiente.
Il nostro rivenditore autorizzato nell'UE, responsabile della stesura della scheda tecnica, è il seguente.
Ο εξουσιοδοτημένος αντιπρόσωπός μας στην ΕΕ, ο οποίος είναι εξουσιοδοτημένος να συντάξει τον τεχνικό φάκελο, είναι ο εξής.

MITSUBISHI ELECTRIC EUROPE, B.V.
HARMAN HOUSE, 1 GEORGE STREET, UXBRIDGE, MIDDLESEX UB8 1QQ, U.K.
Yoji SAITO
Product Marketing Director

O nosso representante autorizado na UE, que está autorizado para compilar o ficheiro técnico, é o seguinte:
Vores autoriserede repræsentant i EU, som er autoriseret til udarbejdelse af den tekniske fil, er følgende.
Vår EG-representant som är auktoriserad att sammanställa den tekniska filen är följande.
Avrupa Birliği'nde bulunan ve teknik dosyayı düzenleme yetkisine sahip yetkili temsilcimiz aşağıda belirtilmiştir:
Vår autoriserte EU-representant, som har autorisasjon til å utarbeide denne tekniske filen, er som følger.
Valtuutettu edustajamme EU:ssa, jolla on valtuudet laatia tekninen tiedosto, on seuraava.

Issued: 8 August, 2014
JAPAN:

Takuo AKIYAMA
Senior Manager, Quality Assurance Department

EC DECLARATION OF CONFORMITY
EG-KONFORMITÄTSEKTLÄRUNG
DECLARATION OF CONFORMITÉ CE
EG-CONFORMITEITSVERKLARING

DECLARACIÓN DE CONFORMIDAD CE
DICHIARAZIONE DI CONFORMITÀ CE
ΔΗΛΩΣΗ ΠΙΣΤΟΤΗΤΑΣ ΕΚ

DECLARAÇÃO DE CONFORMIDADE CE
EU-OVERENSSTEMMELSESEKTLÆRING
EG-DEKLARATION OM ÖVERENSSTÄMMELSE

EC UYGUNLUK BEYANI
CE-ERKLÆRING OM SAMSVAR
EY-VAATIMUSTENMUKAISUUDEN VAKUUTUS

mitsubishi electric corporation, shizuoka works
18-1, OSHIKA 3-CHOME, SURUGA-KU, SHIZUOKA-CITY 422-8528, JAPAN

hereby declares under its sole responsibility that the air conditioners and heat pumps described below for use in commercial and light-industrial environments:
erklärt hiermit auf seine alleinige Verantwortung, dass die Klimaanlage und Wärmepumpen für das kommerzielle und leicht-industrielle Umfeld wie unten beschrieben:
déclare par la présente et sous sa propre responsabilité que les climatiseurs et les pompes à chaleur décrits ci-dessous, destinés à un usage dans des environnements commerciaux et d'industrie légère :
verklaart hierbij onder eigen verantwoordelijkheid dat de voor commerciële en licht-industriële omgevingen bestemde airconditioners en warmtepompen zoals onderstaand beschreven:
por la presente declara bajo su única responsabilidad que los acondicionadores de aire y bombas de calor descritas a continuación para su uso en entornos comerciales y de industria ligera:
confirma con la presente, sotto la sua esclusiva responsabilità, che i condizionatori d'aria e le pompe di calore descritti di seguito e destinati all'utilizzo in ambienti commerciali e semi-industriali:
με το παρόν πιστοποιεί με αποκλειστική της ευθύνη ότι οι τα κλιματιστικά και οι αντλίες θέρμανσης που περιγράφονται παρακάτω για χρήση σε επαγγελματικό και ελαφριάς βιομηχανίας περιβάλλον:
através da presente declara sob sua única responsabilidade que os aparelhos de ar condicionado e bombas de calor abaixo descritos para uso comercial e de indústria ligeira:
erklærer hermed under eneansvar, at de herunder beskrevne airconditionanlæg og varmepumper til brug i erhvervsområder og inden for let industri:
intyggar härmed att luftkonditioneringarna och värmepumparna som beskrivs nedan för användning i kommersiella miljöer och lätta industriella miljöer:
ticaret ve hafif sanayi ortamlarında kullanım amaçlı üretilen ve aşağıda açıklanan klima ve ısıtma pompalarıyla ilgili aşağıdaki hususları yalnızca kendi sorumluluğunda beyan eder:
erklærer et fullstendig ansvar for undernevnte klimaanlegg og varmepumper ved bruk i kommersielle og lettindustrielle miljøer:
täten vakuuttaa täysin omalla vastuullaan, että seuraavassa kuvattavat liikekiinteistöihin ja kevyen teollisuuden ympäristöihin tarkoitettuihin ilmastointilaitteet ja lämpöpumput:

MITSUBISHI ELECTRIC, PUMY-P112YKM1
PUMY-P125YKM1
PUMY-P140YKM1

Note: Its serial number is on the nameplate of the product.
Hinweis: Die Seriennummer befindet sich auf dem Kennschild des Produkts.
Remarque : Le numéro de série de l'appareil se trouve sur la plaque du produit.
Opmerking: het serienummer staat op het naamplaatje van het product.
Nota: El número de serie se encuentra en la placa que contiene el nombre del producto.
Nota: il numero di serie si trova sulla targhetta del prodotto.
Σημείωση: Ο σειριακός του αριθμός βρίσκεται στην πινακίδα ονόματος του προϊόντος.

Nota: o número de série encontra-se na placa que contém o nome do produto.
Bemærk: Serienummeret står på produktets fabriksskilt.
Obs: Serienumret finns på produktens namnplåt.
Not: Serî numarasi ürünün isim plakasında yer alır.
Merk: Serienummeret befinner seg på navneplaten til produktet.
Huomautus: Tuotteen sarjanumero on sen nimikivessä.

Directives
Richtlijnen
Directives
Richtlijnen
Directivas
Directive
Οδηγίες
Directivas
Direktiver
Direktiv
Direktifler
Direktiver
Direktiivit

2006/95/EC: Low Voltage
2006/42/EC: Machinery
2004/108/EC: Electromagnetic Compatibility
2011/65/EU: RoHS Directive

Our authorized representative in EU, who is authorized to compile the technical file, is as follows.
Unser autorisierter Vertreter in der EU, der ermächtigt ist die technischen Daten zu kompilieren, ist wie folgt.
Notre représentant agréé dans L'UE, qui est autorisé à compiler le fichier technique, est le suivant.
Onze geautoriseerde vertegenwoordiger in de EU, die gemachtigd is het technische bestand te compileren, is als volgt.
Nuestro representante autorizado en la UE, que está autorizado para compilar el archivo técnico, es el siguiente.
Il nostro rivenditore autorizzato nell'UE, responsabile della stesura della scheda tecnica, è il seguente.
Ο εξουσιοδοτημένος αντιπρόσωπός μας στην ΕΕ, ο οποίος είναι εξουσιοδοτημένος να συντάξει τον τεχνικό φάκελο, είναι ο εξής.

O nosso representante autorizado na UE, que está autorizado para compilar o ficheiro técnico, é o seguinte:
Vores autoriserede repræsentant i EU, som er autoriseret til udarbejdelse af den tekniske fil, er følgende.
Vår EG-representant som är auktoriserad att sammanställa den tekniska filen är följande.
Avrupa Birliği'nde bulunan ve teknik dosyayı düzenleme yetkisine sahip yetkili temsilcimiz aşağıda belirtilmiştir:
Vår autoriserede EU-representant, som har autorisasjon til å utarbeide denne tekniske filen, er som følger.
Valtuutettu edustajamme EU:ssa, jolla on valtuudet laatia tekninen tiedosto, on seuraava.

MITSUBISHI ELECTRIC EUROPE, B.V.
HARMAN HOUSE, 1 GEORGE STREET, UXBRIDGE, MIDDLESEX UB8 1QQ, U.K.
Yoji SAITO
Product Marketing Director

Issued: 8 August, 2014
JAPAN:

Takuo AKIYAMA
Senior Manager, Quality Assurance Department

<ENGLISH>

English is original. The other languages versions are translation of the original.

⚠ CAUTION

- Refrigerant leakage may cause suffocation. Provide ventilation in accordance with EN378-1.
- Be sure to wrap insulation around the piping. Direct contact with the bare piping may result in burns or frostbite.
- Never put batteries in your mouth for any reason to avoid accidental ingestion.
- Battery ingestion may cause choking and/or poisoning.
- Install the unit on a rigid structure to prevent excessive operation sound or vibration.
- The A-weighted sound pressure level is below 70dB.
- This appliance is intended to be used by expert or trained users in shops, in light industry and on farms, or for commercial use by lay persons.

<DEUTSCH>

Das Original ist in Englisch. Die anderen Sprachversionen sind vom Original übersetzt.

⚠ VORSICHT

- Wenn Kältemittel austritt, kann dies zu Erstickungen führen. Sorgen Sie in Übereinstimmung mit EN378-1 für Durchlüftung.
- Die Leitungen müssen isoliert werden. Direkter Kontakt mit nicht isolierten Leitungen kann zu Verbrennungen oder Erfrierungen führen.
- Nehmen Sie niemals Batterien in den Mund, um ein versehentliches Verschlucken zu vermeiden.
- Durch das Verschlucken von Batterien kann es zu Ersticken und/oder Vergiftungen kommen.
- Installieren Sie das Gerät auf einem stabilen Untergrund, um übermäßige Betriebsgeräusche oder -schwingungen zu vermeiden.
- Der A-gewichtete Schalldruckpegel ist niedriger als 70dB.
- Dieses Gerät ist vorgesehen für die Nutzung durch Fachleute oder geschultes Personal in Werkstätten, in der Leichtindustrie und in landwirtschaftlichen Betrieben oder für die kommerzielle Nutzung durch Laien.

<FRANÇAIS>

L'anglais est l'original. Les versions fournies dans d'autres langues sont des traductions de l'original.

⚠ PRECAUTION

- Une fuite de réfrigérant peut entraîner une asphyxie. Fournissez une ventilation adéquate en accord avec la norme EN378-1.
- Assurez-vous que la tuyauterie est enveloppée d'isolant. Un contact direct avec la tuyauterie nue peut entraîner des brûlures ou des engelures.
- Ne mettez jamais des piles dans la bouche pour quelque raison que ce soit pour éviter de les avaler par accident.
- Le fait d'ingérer des piles peut entraîner un étouffement et/ou un empoisonnement.
- Installez l'appareil sur une structure rigide pour prévenir un bruit de fonctionnement et une vibration excessifs.
- Le niveau de pression acoustique pondéré est en dessous de 70 dB.
- Cet appareil est conçu pour un utilisateur expert ou les utilisateurs formés en magasin, dans l'industrie légère et dans l'agriculture ou dans le commerce par le profane.

<NEDERLANDS>

Het Engels is het origineel. De andere taalversies zijn vertalingen van het origineel.

⚠ VOORZICHTIG

- Het lekken van koelvlloeistof kan verstikking veroorzaken. Zorg voor ventilatie in overeenstemming met EN378-1.
- isoleer de leidingen met isolatiemateriaal. Direct contact met de onbedekte leidingen kan leiden tot brandwonden of bevriezing.
- Stop nooit batterijen in uw mond om inslikking te voorkomen.
- Het inslikken van batterijen kan verstikking of vergiftiging veroorzaken.
- Installeer het apparaat op een stabiele structuur om overmatig lawaai of trillingen te voorkomen.
- Het niveau van de geluidsdruk ligt onder 70 dB(A).
- Dit apparaat is bedoeld voor gebruik door ervaren of opgeleide gebruikers in werkplaatsen, in de lichte industrie en op boerderijen, of voor commercieel gebruik door leken.

<ESPAÑOL>

El idioma original del documento es el inglés. Las versiones en los demás idiomas son traducciones del original.

⚠ CUIDADO

- Las pérdidas de refrigerante pueden causar asfixia. Se debe proporcionar la ventilación determinada en EN378-1.
- Asegúrese de colocar el aislante alrededor de las tuberías. El contacto directo con la tubería puede ocasionar quemaduras o congelación.
- Para evitar una ingestión accidental, no coloque las pilas en su boca bajo ningún concepto.
- La ingestión de las pilas puede causar asfixia y/o envenenamiento.
- Coloque la unidad en una estructura rígida para evitar que se produzcan sonidos o vibraciones excesivos debidos a su funcionamiento.
- El nivel de presión acústica ponderado A es inferior a 70 dB.
- Este aparato está destinado a su uso por parte de usuarios expertos o capacitados en talleres, industrias ligeras y granjas, o a su uso comercial por parte de personas no expertas.

<ITALIANO>

Il testo originale è redatto in lingua Inglese. Le altre versioni linguistiche rappresentano traduzioni dell'originale.

⚠ ATTENZIONE

- Le perdite di refrigerante possono causare asfissia. Prevedere una ventilazione adeguata in conformità con la norma EN378-1.
- Accertarsi di applicare materiale isolante intorno alle tubature. Il contatto diretto con le tubature non schermate può provocare ustioni o congelamento.
- Non introdurre in nessun caso le batterie in bocca onde evitare ingestioni accidentali.
- L'ingestione delle batterie può provocare soffocamento e/o avvelenamento.
- Installare l'unità su una struttura rigida in modo da evitare rumore o vibrazioni eccessivi durante il funzionamento.
- Il livello di pressione del suono ponderato A è inferiore a 70dB.
- Questa apparecchiatura è destinata all'utilizzo da parte di utenti esperti o addestrati in negozi, industria leggera o fattorie oppure a un uso commerciale da parte di persone non esperte.

<ΕΛΛΗΝΙΚΑ>

Η γλώσσα του πρωτοτύπου είναι η αγγλική. Οι εκδόσεις άλλων γλωσσών είναι μεταφράσεις του πρωτοτύπου.

⚠ ΠΡΟΣΟΧΗ

- Η διαρροή του ψυκτικού ενδέχεται να προκαλέσει ασφυξία. Φροντίστε για τον εξαερισμό σύμφωνα με το πρότυπο EN378-1.
- Φροντίστε να τυλίξετε με μονωτικό υλικό τη σωλήνωση. Η απευθείας επαφή με τη γυμνή σωλήνωση ενδέχεται να προκαλέσει εγκαύματα ή κρυοπαγήματα.
- Μη βάζετε ποτέ τις μπαταρίες στο στόμα σας για κανένα λόγο ώστε να αποφύγετε την κατά λάθος κατάποσή τους.
- Η κατάποση μπαταριών μπορεί να προκαλέσει πνιγμό ή/και δηλητηρίαση.
- Εγκαταστήστε τη μονάδα σε σταθερή κατασκευή ώστε να αποφύγετε τον έντονο ήχο λειτουργίας ή τους κραδασμούς.
- Η Α-σταθμισμένη στάθμη ηχητικής πίεσης είναι κάτω των 70dB.
- Η συσκευή αυτή προορίζεται για χρήση από έμπειρους ή εκπαιδευμένους χρήστες σε καταστήματα, στην ελαφριά βιομηχανία και σε αγροκτήματα, ή για εμπορική χρήση από άτομα τα οποία δεν είναι ειδήμονες.

<PORTUGUÊS>

O idioma original é o inglês. As versões em outros idiomas são traduções do idioma original.

⚠ CUIDADO

- A fuga de refrigerante pode causar asfixia. Garanta a ventilação em conformidade com a norma EN378-1.
- Certifique-se de que envolve as tubagens com material de isolamento. O contacto directo com tubagens não isoladas pode resultar em queimaduras ou ulcerações provocadas pelo frio.
- Nunca coloque pilhas na boca, por nenhum motivo, para evitar a ingestão accidental.
- A ingestão de uma pilha pode causar obstrução das vias respiratórias e/ou envenenamento.
- Instale a unidade numa estrutura robusta, de forma a evitar ruídos ou vibrações excessivos durante o funcionamento.
- O nível de pressão sonora ponderado A é inferior a 70 dB.
- Este equipamento destina-se a ser utilizado por especialistas ou utilizadores com formação em lojas, na indústria ligeira e em quintas, ou para utilização comercial por leigos.

<DANSK>

Engelsk er originalen. De andre sprogversioner er oversættelser af originalen.

⚠ FORSIGTIG

- Lækage af kølemiddel kan forårsage kvælning. Sørg for udluftning i overensstemmelse med EN378-1.
- Sørg for at pakke sørene ind i isolering. Direkte kontakt med ubeklædte rør kan forårsage forbrændinger eller forfrysninger.
- Batterier må under ingen omstændigheder tages i munden for at forhindre utilsigtet indtagelse.
- Indtagelse af batterier kan forårsage kvælning og/eller forgiftning.
- Installer enheden på en fast struktur for at forhindre for høje driftslyde eller vibrationer.
- Det A-vægtede lydtrykniveau er under 70dB.
- Dette apparat er beregnet til at blive brugt af eksperter eller udlærte brugere i butikker, inden for let industri og på gårde eller til kommerciel anvendelse af lægmænd.

<SVENSKA>

Engelska är originalspråket. De övriga språkversionerna är översättningar av originalet.

⚠ FÖRSIKTIGHET

- Köldmedelsläckage kan leda till kvävning. Tillhandahåll ventilation i enlighet med EN378-1.
- Kom ihåg att linda isolering runt rören. Direktkontakt med bara rör kan leda till brännskador eller köldskador.
- Stoppa aldrig batterier i munnen, de kan sväljas av misstag.
- Om ett batteri sväljs kan det leda till kvävning och/eller förgiftning.
- Montera enheten på ett stadigt underlag för att förhindra höga driftslyde och vibrationer.
- Den A-vägda ljudtrycksnivån är under 70dB.
- Denna apparat är ämnad för användning av experter eller utbildade användare i affärer, inom lätt industri och på lantbruk, eller för kommersiell användning av lekmän.

<TÜRKÇE>

Aslı İngilizce'dir. Diğer dillerdeki sürümler aslının çevirisidir.

⚠ DİKKAT

- Soğutucu kaçağı boğulmaya neden olabilir. EN378-1 uyarınca uygun havalandırma sağlayın.
- Borular etrafına yalıtım yapıldığından emin olun. Borulara doğrudan çıplak elle dokunulması yanıklara veya soğuk ısırıklarına neden olabilir.
- Kazara yutmamak için, pilleri kesinlikle hiçbir amaçla ağzınızda tutmayın.
- Pillerin yutulması boğulmaya ve/veya zehirlenmeye yol açabilir.
- Aşırı çalışma seslerini veya titreşimi önlemek için, üniteyi sağlam bir yapı üzerine monte edin.
- A güçlü ses gücü seviyesi 70dB'nin altındadır.
- Bu cihaz atölyelerde, hafif endüstriyel tesislerde ve çiftliklerde uzman veya eğitimli kullanıcılar tarafından kullanılmak üzere veya normal kullanıcılar tarafından ticari kullanım için tasarlanmıştır.

Please be sure to put the contact address/telephone number on
this manual before handing it to the customer.



mitsubishi electric corporation

HEAD OFFICE: TOKYO BLDG., 2-7-3, MARUNOUCHI, CHIYODA-KU, TOKYO 100-8310, JAPAN
Authorized representative in EU: MITSUBISHI ELECTRIC EUROPE B.V.
HARMAN HOUSE, 1 GEORGE STREET, UXBRIDGE,
MIDDLESEX UB8 1QQ, UK